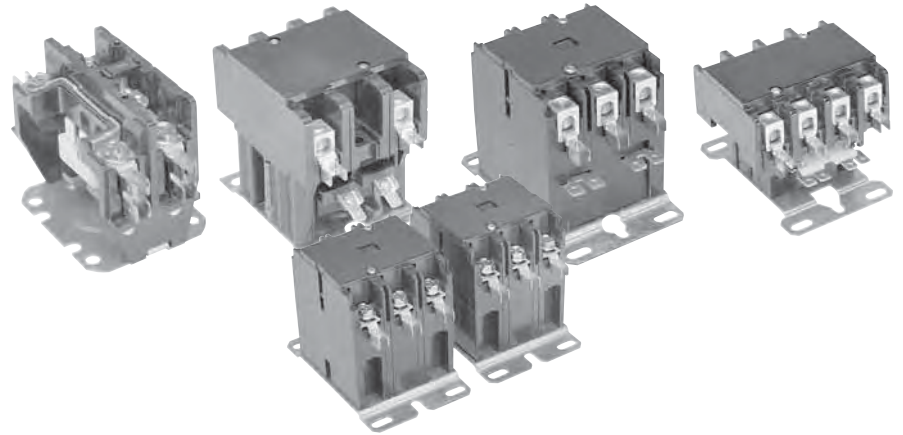




Definite purpose Contactors



Applications

Type DP contactors provide high performance with flexibility and reliability, designed to match numerous applications including:

- Motors
- Power supplies
- Food service equipment
- Compressors
- Business machines
- Resistive heating
- Air conditioning
- Refrigeration equipment
- Welding

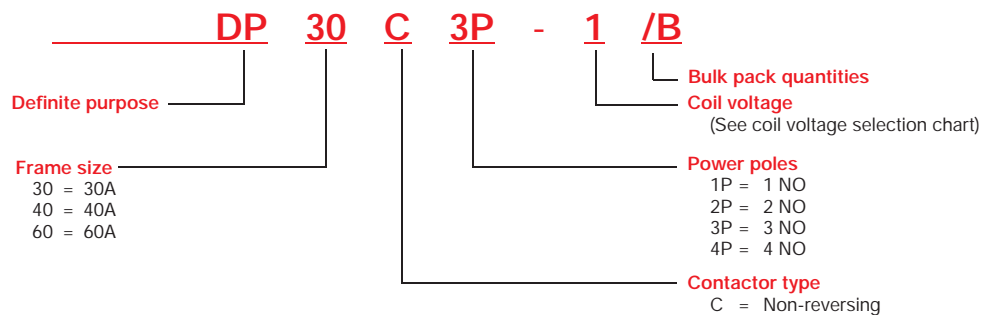
Agency approvals

- UL 508 Guide No. NLDX2, File # E224401
- CE/Semko Certified
- EN60947-4-1:1991
- IEC 947-4-1

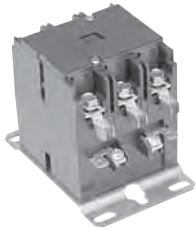
Features

- Available as:
 - 30A, 1, 2, 3 or 4 pole
 - 40A, 2, 3 or 4 pole
 - 60A, 3 pole
- Industry standard mounting plate provides easily accessible mounting holes
- Coil terminals are provided with #6-32 screws and (1) .250 quick connect or dual .250 quick connect terminals
- Exclusive hex, slotted, phillips #10-32 terminal screws for main terminals
- Coil is Class B (130° C) Insulation system with wide range of voltages and 50/60 Hz ratings
- Double E Magnet Assembly provides optimal performance with reduced power consumption
- Snap-in auxiliary switch with 1 SPDT or 2 SPDT contacts available as an option
- 1 NO & 1 NC auxiliary contact block with 600 VAC rating available as an option
- Base assembly is made from high arc-resistant plastic

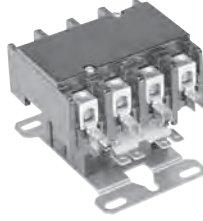
Catalog number explanation



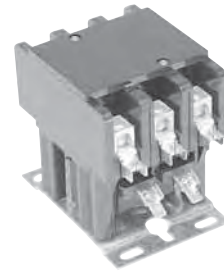
30A, 40A & 60A



DP30C3P-F



DP40C4P-F



DP60C3P-F

30A, 40A & 60A

Full load amps	Number of poles	Locked rotor amps			Resistive amps	Maximum HP 1 phase		Maximum HP 3 phase				Bulk pack ①	Catalog number qty.	Individual pack list price	Bulk pack list price
		240/277V	480V	600V		120V	240V	200/208V	240/277V	480V	600V				
30	1	150	75	50	40	1	2	—	—	—	—	50	DP30C1P-F	\$ 30	\$ 27
30	2	150	125	100	40	2	3	—	—	—	—	50	DP30C2P-F	38	34
30	3	180	150	120	40	2	5	10	10	15	20	25	DP30C3P-F	55	50
30	4	180	150	120	40	2	5	10	10	10	—	20	DP30C4P-F	75	68
40	2	240	200	160	50	2	3	—	—	—	—	50	DP40C2P-F	46	42
40	3	240	200	160	50	3	7.5	10	10	20	25	25	DP40C3P-F	60	54
40	4	240	200	160	50	3	7.5	10	10	10	—	20	DP40C4P-F	100	90
60	3	360	300	240	75	2	10	25	25	30	30	10	DP60C3P-F	147	140

Coil voltage selection chart

Voltage	24VAC	120VAC	208/240VAC	277VAC	480VAC	575VAC
Suffix #	F	1	2	C	4	5

Coil voltage selection

All catalog numbers include a 24VAC coil. To select other coil voltages, substitute the code from the Coil Voltage Selection Chart for the first digit after the dash in the catalog number.

Auxiliary contact blocks (3 pole only)

Description	Catalog number 30A - 40A	Catalog number 60A	List price
NO or NC SPDT 1 NO & 1 NC	CADP40-10 CADP40-11	CADP60-10 —	\$ 10

Contact rating of 1 NO & 1 NC

		120V	240V	480V	600V
Break	A	3.0	1.5	.75	.6
Make	A	30	15	7.5	6
Continuous	A	10	10	10	10

Quick connect terminals on all auxiliary switches are .250 wide.

Contact rating of SPDT

Voltage	Current rating
125VAC	10A, 1/3 HP
120VAC	4A on lamp load
250VAC	10A, 1/3 HP
125VDC	.5A
250VDC	.25A

① Must be ordered in standard pack quantities as shown. Add suffix "/B" to the catalog number.

Ordering bulk quantities

To order bulk package quantities add "/B" to the end of the catalog number.

Example: For quantities of 25 of a 30A 3 pole contactor with 24VAC coil, the catalog number would be: DP30C3P-F/B

Mechanical interlock

Frame size	Catalog number	List price
DP30 DP40	VMDP-1	\$ 7

Technical data

30A – 60A

1, 2, 3, & 4 Pole

Definite purpose
1
contactors

30A – 40A — 1 & 2 pole

Coil technical data	DP30C1P				DP30, DP40C2P			
	Nominal coil voltage	24	120	208/240	277	24	120	208/240
Maximum pickup volts	18	88	177	221	18	88	177	221
Drop-out volts range	6 – 15	20 – 70	40 – 170	50 – 165	6 – 15	20 – 70	40 – 140	50 – 165
Nominal inrush VA 50 Hz	31	31	35	31	22	22	22	22
Nominal inrush VA 60 Hz	28	28	32	28	20	20	20	20
Nominal sealed VA 50 Hz	6	6	7	6	5.5	5.5	5.5	5.5
Nominal sealed VA 60 Hz	5	5	6	5	4.5	4.5	4.5	4.5
Nominal DC resistance Ohms	17.5	450	1800	2252	13	275	1056	1772
Other specifications	DP30C1P				DP30, DP40C2P			
Line and load terminals	# 10 – 32 screw ①				Box lug ①			
Wire size AWG min – max	16 – 8 ②				14 – 4 Cu/Al			
Tightening torque (recommended)	25 in. lbs.				40 in. lbs			
Coil termination	Dual .250 QC (2)				Dual .250 QC (2)			
Quick connects .250 std. 1 – 1.5 pole	Quad				Quad			
Quick connects .250 std. 2 pole	Dual or quad				Dual or quad			
Covers	Optional				Standard			
Insulation system	130° C Class B				130° C Class B			

30A- 60A — 3 pole

Coil technical data	DP30, DP40C3P					DP60C3P				
	Nominal coil voltage	24	120	208/240	277	480	24	120	208/240	277
Maximum pickup volts	18	88	177	220	384	18	93	177	235	374
Drop-out volts range	6 – 15	20 – 70	40 – 140	65 – 185	150 – 270	6 – 15	20 – 70	40 – 135	50 – 180	150 – 286
Nominal inrush VA 50 Hz	65	65	65	65	65	140	140	140	140	140
Nominal inrush VA 60 Hz	60	60	60	60	60	132	132	132	132	132
Nominal sealed VA 50 Hz	7.5	7.5	7.5	7.5	7.5	20	20	20	20	20
Nominal sealed VA 60 Hz	6	6	6	6	6	14	14	14	14	14
Nominal DC resistance Ohms	6.6	165	660	880	1320	2.4	45	180	280	852
Other specifications	DP30C3P					DP60C3P				
Line and load terminals	# 10 – 32 Screw ①					Box lug ①				
Wire size AWG min – max	16 – 8 ②					14 – 2 Cu/Al				
Tightening torque (recommended)	25 in. lbs					40 in. lbs				
Quick connects: power terminals	Dual.250 QC					Dual.250 QC				
Coil terminals	Dual .250 QC (2)					Dual .250 QC (2)				
Covers	Optional					Standard				
Insulation system	130° C Class B					130° C Class B				

30A – 40A — 4 Pole

Coil technical data	DP30, DP40C4P					
	Nominal coil voltage	24	120	208/240	277	480
Maximum pickup volts	19.2	88	177	220	384	
Drop-out volts range	6 – 15	20 – 70	40 – 140	65 – 185	150 – 270	
Nominal inrush VA 50 Hz	68	68	58	58	48	
Nominal inrush VA 60 Hz	60	60	55	52	52	
Nominal sealed VA 50 Hz	14	14	11	11	11	
Nominal sealed VA 60 Hz	9	9	9.5	9.5	9	
Nominal DC resistance Ohms	5	148	550	750	2100	
Other specifications	DP30C4P			DP40C4P		
Line and load terminals	# 10 – 32 screw ①			Box Lug		
Wire size AWG Min – Max	16 – 8 ②			14 – 4 Cu/AL		
Tightening torque (recommended)	22 in. lbs			40 in. lbs		
Quick connects: power terminals	Dual .250 QC			Dual .250 QC		
Coil terminals	Dual .250 QC (2)			Dual .250 QC (2)		
Covers	Optional			Standard		
Insulation system	130° C Class B			130° C Class B		

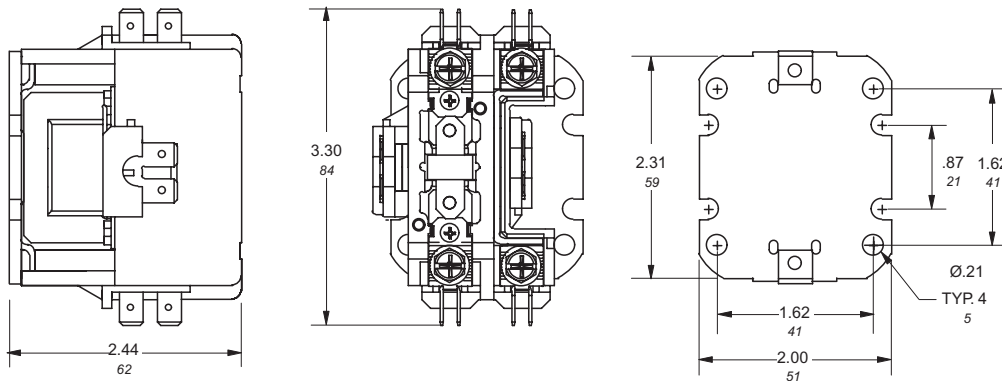
① See page 1.82 to 1.85 for description and approximate dimensions.

② Stranding must be split for #8 wire.

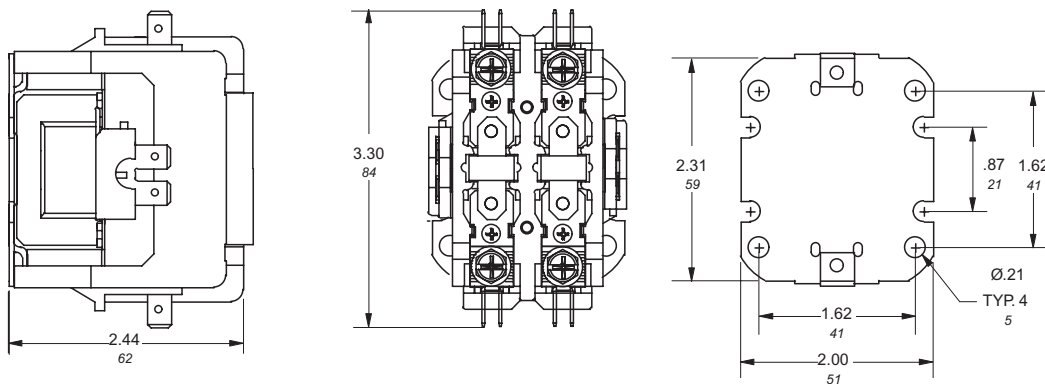
Approximate dimensions 30A 1, 2 & 3 Pole

00.00 → Inches
00.00 → [Millimeters]

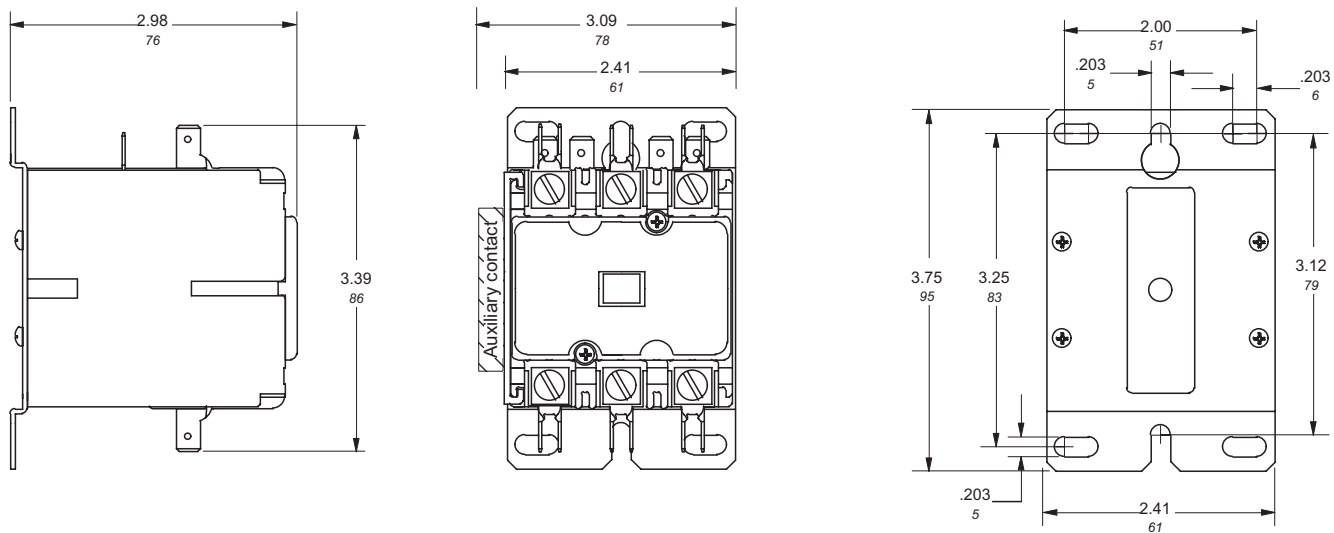
DP30C1P



DP30C2P



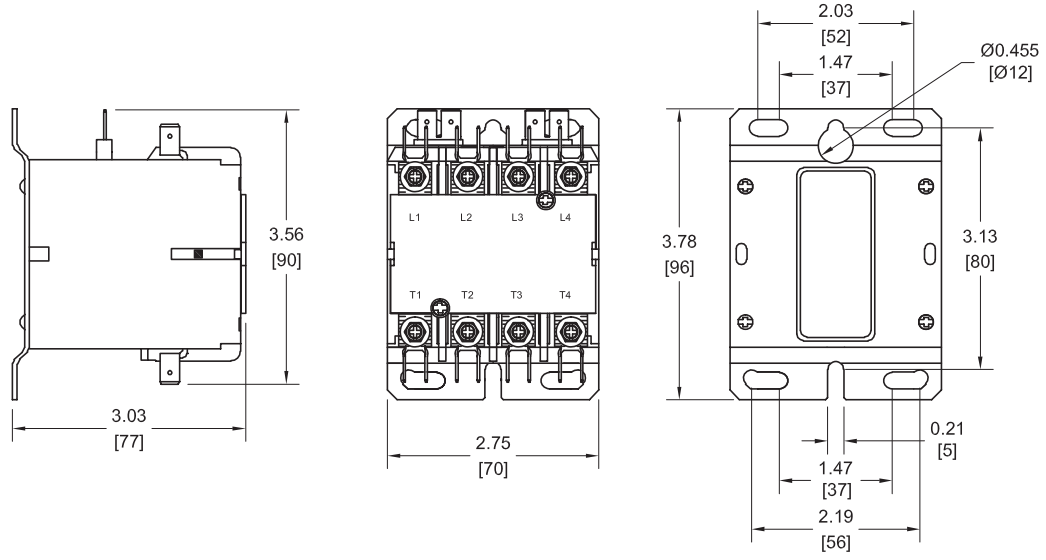
DP30C3P



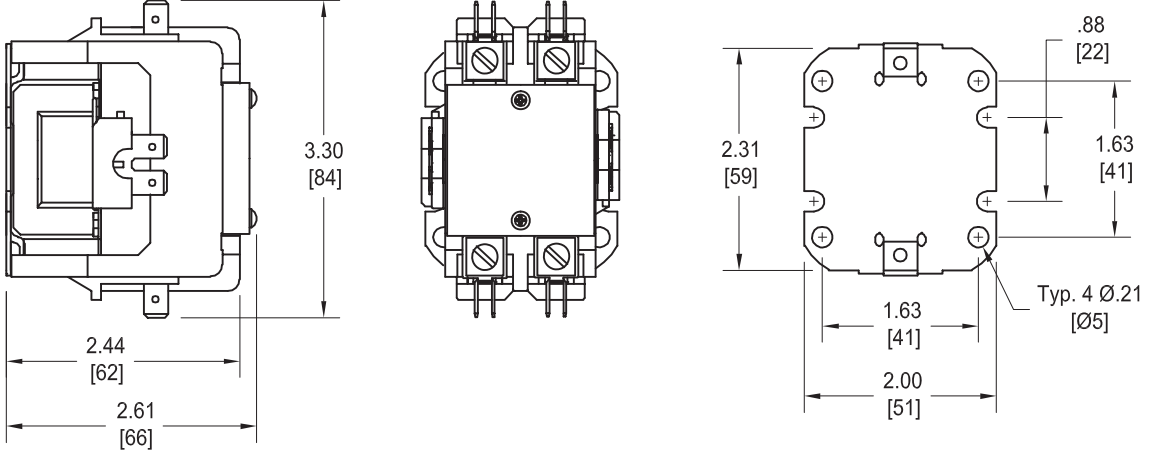
Approximate dimensions
30A 4 Pole
40A 2 & 3 Pole

00.00 Inches
00.00 [Millimeters]

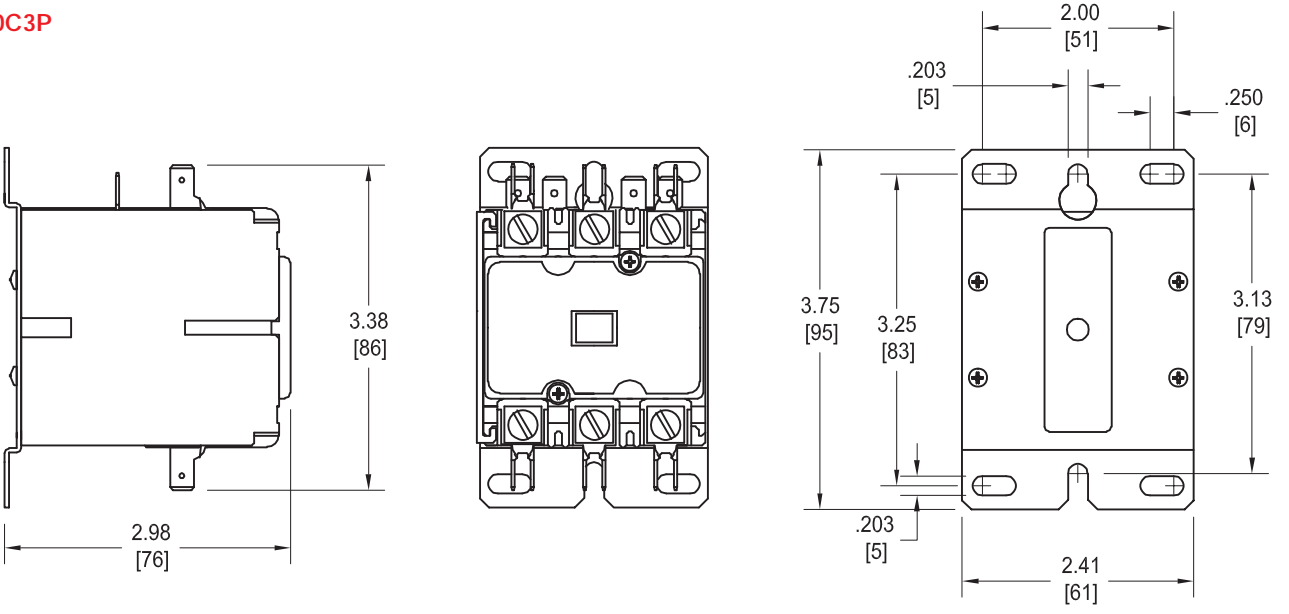
DP30C4P



DP40C2P



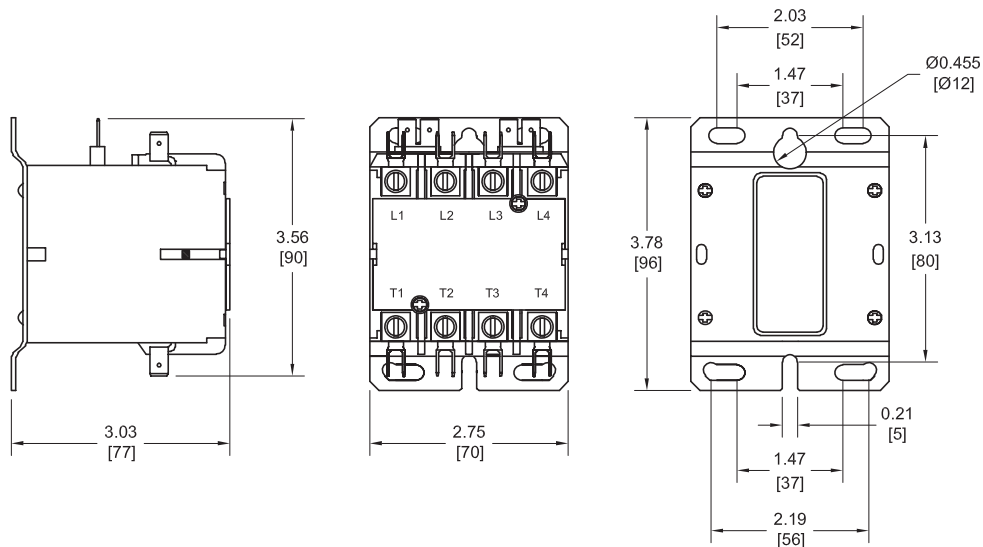
DP40C3P



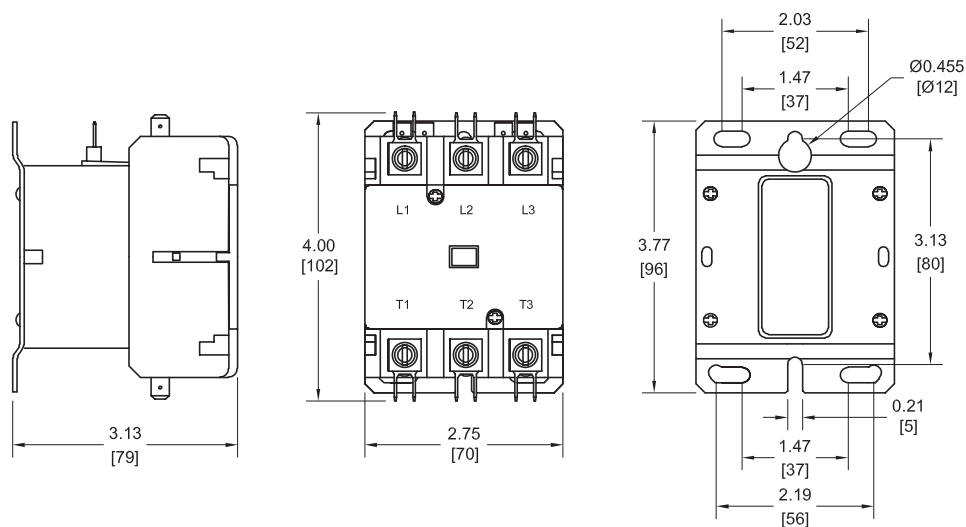
Approximate dimensions

40A 4 Pole
60A 3 Pole

DP40C4P



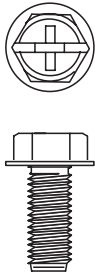
DP60C3P



Approximate dimensions Terminations

Definite purpose
1
contactors

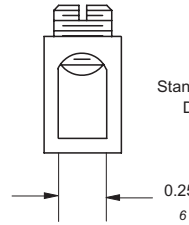
Screw



Standard on
DP30

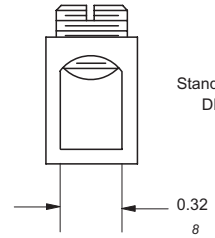
10-32 Combination
Phillips, slotted &
5/16 Hex Head

Lugs



Standard on
DP40

14 - 4 AWG, Cu / Al



Standard on
DP60

14 - 2 AWG, Cu / Al