



Technical catalog

ABB Industrial Pump and Fan AC Drives ACS310, 0.5 to 30Hp (0.37 to 22kW)

Power and productivity
for a better world™ **ABB**

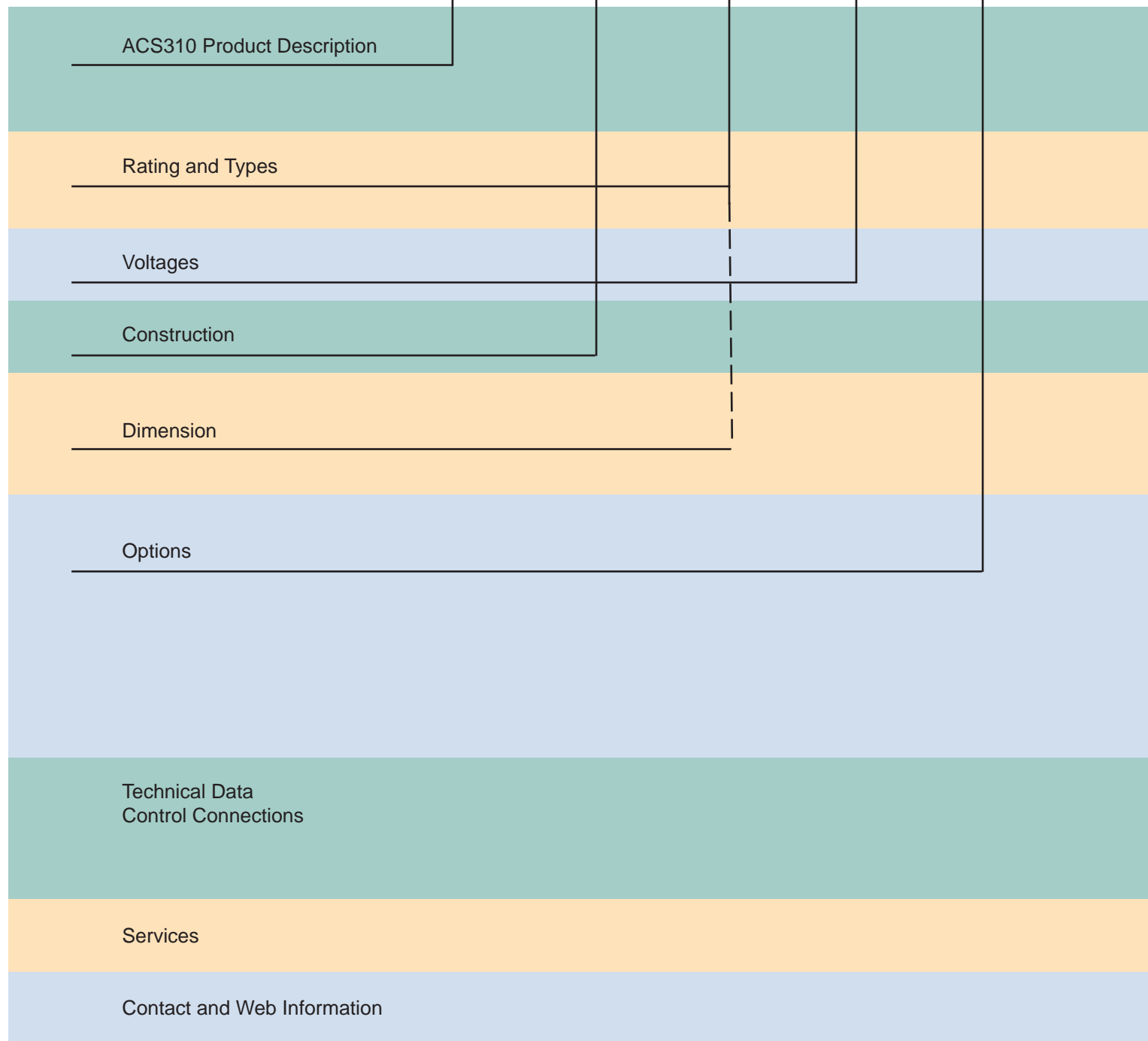
Phone: 800.894.0412 - Fax: 888.723.4773 - Web: www.clrwtr.com - Email: info@clrwtr.com

ACS310 Type Code



Type code structure:

ACS310 - 03U - 02A6 - 2 + J400



Product Description



ABB standard drives

An extension to the ABB standard drives family is a series of drives specifically designed for variable torque applications such as pumps and fans. The specific design includes a powerful set of features which benefit pump and fan applications including built-in PID controllers and PFC (pump and fan control) that varies the drive's performance in response to changes in pressure, flow or other external data.

These features, combined with pre-programmed application macros, an intuitive user interface and several assistant screens, speed up the installation, parameter setting and commissioning of the drive.

Applications

- Booster pumps
- Submersible pumps
- Irrigation pumps
- Supply and return fans

Highlights

- Pump and fan features
- Unified height and depth
- Energy efficiency calculators
- Advanced or basic control panel as options
- Embedded Modbus RS-485 fieldbus interface
- FlashDrop tool for fast parameter setting

Feature	Advantage	Benefit
Pump and fan control (PFC) macro to control pumps and fans in parallel	<p>One drive controls several pumps or fans and eliminates the need for an external programmable logic controller.</p> <p>Reduces motor stress and increases lifetime when auxiliary motors are driven according to the needed pump/fan capacity.</p> <p>Interlock function enables one motor to be disengaged from the mains supply while others continue operating in parallel.</p>	<p>Saves cost of additional drives and external PLC.</p> <p>Longer life for pump or fan system while reducing maintenance time and costs.</p> <p>Maintenance can be carried out safely without stopping process.</p>
Soft pump and fan control macro (SPFC)	Reduces unwanted pressure peaks in pumps and pipelines when an auxiliary motor is started.	Reduces maintenance costs. Longer life for pump or fan system. Smoother processes.
Pump protection functions	Improved protection with pre-programmed features for preventive maintenance. Helps avoid corrosion in the pump systems.	Reduces maintenance costs. Longer life for pump system.
Pump Cleaning	Use of external control (relay logic, timers & contactors) are not needed as the functionality is built-in.	Reduces users overall machine costs.
Embedded Modbus RS-485 fieldbus interface	No need for external fieldbus options. Integrated and compact design.	Saves costs of external fieldbus devices. Increases reliability.
On/off cooling fan control	Cooling fan rotates only when the drive is modulating, thereby cooling only when needed.	Silent operation. Improves drive's energy efficiency.
Software controlled phase inversion	Fast and easy way to change the phase order of the motor rotation.	Time savings as there is no need to change the output cable order manually.
Short parameter menu view	Only the most needed drive parameters are shown on the drive's parameter view. Complete parameter view can be changed by setting one parameter.	Time savings as user can quickly see the most important parameters. Fast commissioning of the drive.
Energy optimizer	Improved motor efficiency with intelligent drive control method, especially while operating on partial loads.	Boosts energy efficiency due to lower motor currents. Reduces audible noise from the motor.
Energy efficiency tools	Several tools to illustrate saved energy (kWh), carbon-dioxide emissions (CO ₂) and cost in local currency.	Shows direct impact on energy bill and helps control operational expenditure (OPEX).
Full output current at 50 °C ambient	Drive can be operated in ambient temperatures up to 50 °C without derating the output current.	Optimized drive dimensioning for wide temperature range.
Load analyzer	Load analyzer saves process data, such as current and torque values, which can be used to analyze the process and dimensioning of the drive and motor.	Optimized dimensioning of the drive, motor and process.

Technical Specification



Input power connection

Voltage and power range	3-phase, 200 to 240 V \pm 10% 0.5 to 15 hp (0.37 to 11 kW) 3-phase, 380 to 480 V \pm 10% 0.5 to 30 hp (0.37 to 22 kW)
Frequency	48 to 63 Hz

Motor connection

Voltage	3-phase, from 0 to U_{supply}
Frequency	0 to 500 Hz
Continuous loading capability	I_{2N} maximum continuous output current at ambient temperature of +40 °C. No overloadability, derating 1% for every additional 1 °C up to 50 °C. I_{LD} continuous output current at max ambient temperature of +50 °C. 10% overloadability for one minute every ten minutes.
Switching frequency	
Default	4 kHz
Selectable	4 to 16 kHz in 4 kHz steps
Acceleration time	0.1 to 1800 s
Deceleration time	0.1 to 1800 s

Environmental limits

Ambient temperature	-10 to 50 °C (14 to 122 °F), no frost allowed
Altitude	
Output current	Rated current available at 0 to 1000 m (0 to 3281 ft) reduced by 1% per 100 m (328 ft) over 1000 to 2000 m (3281 to 6562 ft)
Relative humidity	Lower than 95% (without condensation)
Degree of protection	IP20 / optional NEMA 1 enclosure
Enclosure colour	NCS 1502-Y, RAL 9002, PMS 420 C
Contamination levels	IEC721-3-3 No conductive dust allowed
Storage	Class 1C2 (chemical gases) Class 1S2 (solid particles)
Transportation	Class 2C2 (chemical gases) Class 2S2 (solid particles)
Operation	Class 3C2 (chemical gases) Class 3S2 (solid particles)

Product compliance

Low Voltage Directive 2006/95/EC
Machinery Directive 98/37/EC
EMC Directive 2004/108/EC
Quality assurance system ISO 9001
Environmental system ISO 14001
CE and C-Tick approvals
UL, cUL and GOST R
RoHS compliant

EMC

Class C3 (2nd environment unrestricted distribution) built-in as standard
Class C2 and C1 with external optional EMC filters

Programmable control connections

Two analog inputs	
Voltage signal	
Unipolar	0 (2) to 10 V, $R_{in} > 312 \text{ k}\Omega$
Bipolar	-10 to 10 V, $R_{in} > 312 \text{ k}\Omega$
Current signal	
Unipolar	0 (4) to 20 mA, $R_{in} = 100 \Omega$
Bipolar	-20 to 20 mA, $R_{in} = 100 \Omega$
Resolution	0.1%
Accuracy	\pm 1%
One analog output	0 (4) to 20 mA, load $< 500 \Omega$
Auxiliary voltage	24 V DC \pm 10%, max. 200 mA
Five digital inputs	12 to 24 V DC with internal or external supply, PNP and NPN, pulse train 0 to 16 kHz
Input impedance	2.4 k Ω
One relay output	
Type	NO + NC
Maximum switching voltage	250 V AC/30 V DC
Maximum switching current	0.5 A/30 V DC; 5 A/230 V AC
Maximum continuous current	2 A rms
One digital output	
Type	Transistor output
Maximum switching voltage	30 V DC
Maximum switching current	100 mA/30 V DC, short circuit protected
Frequency	10 Hz to 16 kHz
Resolution	1 Hz, 0.2%
Accuracy	

Serial communication

Fieldbus	Modbus RS-485, embedded
Cable	Shielded twisted pair, impedance 100 to 150 ohms
Termination	Trunk line, drop lines allowed
Isolation	Bus interface isolated from drive
Transfer rate	1.2 to 76.8 kbit/s
Communication type	Serial, asynchronous, half duplex
Protocol	Modbus

Chokes

AC input chokes	External option For reducing THD in partial loads and to comply with EN 61000-3-2.
AC output chokes	External option To achieve longer motor cables

Ratings, Types, Voltages and Construction



Type code

This is the unique type code (shown to the right) that clearly identifies your drive by power rating and frame size. Once you have selected the type code, the frame size can be used to determine the drive dimensions, shown on the next page.

Voltages

ACS310 is available in two voltage ranges:

2 = 200 - 240 V

4 = 380 - 480 V

Insert either "2" or "4", depending on your chosen voltage, into the type code shown above.

Construction

"03U" within the type code indicates the number of input phases for the power and EMC filtering.

03 = 3-phase

U = EMC filter disconnected, 60 Hz frequency
(In case the filter is required it can easily be connected.)

Ratings				Type code	Frame size
P_N Hp	P_N kW	$I_{2N}^{(1)}$ A	$I_{LD}^{(2)}$ A		
3-phase supply voltage 200 - 240 V units					
0.5	0.37	2.6	2.4	ACS310-03U-02A6-2	R0
0.75	0.55	3.9	3.5	ACS310-03U-03A9-2	R0
1.0	0.75	5.2	4.7	ACS310-03U-05A2-2	R1
1.5	1.1	7.4	6.7	ACS310-03U-07A4-2	R1
2.0	1.5	8.3	7.5	ACS310-03U-08A3-2	R1
3.0	2.2	10.8	9.8	ACS310-03U-10A8-2	R2
5.0	4.0	19.4	17.6	ACS310-03U-19A4-2	R2
7.5	5.5	26.8	24.4	ACS310-03U-26A8-2	R3
10.0	7.5	34.1	31.0	ACS310-03U-34A1-2	R4
15.0	11.0	50.8	46.2	ACS310-03U-50A8-2	R4
3-phase supply voltage 380 - 480 V units					
0.5	0.37	1.3	1.2	ACS310-03U-01A3-4	R0
0.75	0.55	2.1	1.9	ACS310-03U-02A1-4	R0
1.0	0.75	2.6	2.4	ACS310-03U-02A6-4	R1
1.5	1.1	3.6	3.3	ACS310-03U-03A6-4	R1
2.0	1.5	4.5	4.1	ACS310-03U-04A5-4	R1
3.0	2.2	6.2	5.6	ACS310-03U-06A2-4	R1
5.0	4.0	9.7	8.8	ACS310-03U-09A7-4	R1
7.5	5.5	13.8	12.5	ACS310-03U-13A8-4	R3
10.0	7.5	17.2	15.6	ACS310-03U-17A2-4	R3
15.0	11.0	25.4	23.1	ACS310-03U-25A4-4	R3
20.0	15.0	34.1	31.0	ACS310-03U-034A-1	R4
25.0	18.5	41.8	38.0	ACS310-03U-41A8-4	R4
30.0	22.0	48.4	44.0	ACS310-03U-48A4-4	R4

¹⁾ I_{2N} maximum continuous output current at ambient temperature of +40 °C. No overloadability, derating 1% for every additional 1 °C up to 50 °C.

²⁾ I_{LD} continuous output current at max ambient temperature of +50 °C. 10% overloadability for one minute every ten minutes.

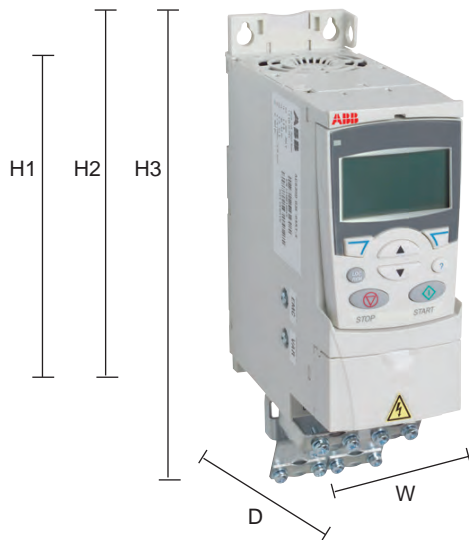
EMC Standards in General

EN 61800-3 (2004), product standard	EN 55011, product family standard for industrial, scientific and medical (ISM) equipment	EN 61800-3/A11 (2000), product standard
Category C1	Group 1 Class B	1 st environment, unrestricted distribution
Category C2	Group 1 Class A	1 st environment, restricted distribution
Category C3	Group 2 Class A	2 nd environment, unrestricted distribution
Category C4	Not applicable	2 nd environment, restricted distribution

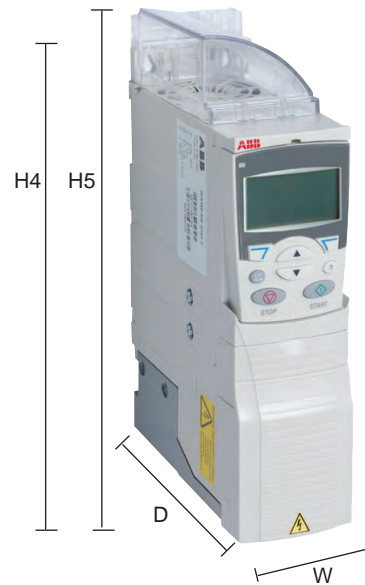
Dimensions



Cabinet-mounted drives (IP20 UL open)



Wall-mounted drives (NEMA 1)



IP20 - Dimensions and Weights

Frame size	H1		H2		H3		W		D		Weight	
	mm	in	mm	in	mm	in	mm	in	mm	in	kg	lb
R0	169	6.65	202	7.95	239	9.41	70	2.76	161	6.34	1.2	2.6
R1	169	6.65	202	7.95	239	9.41	70	2.76	161	6.34	1.2	2.6
R2	169	6.65	202	7.95	239	9.41	105	4.13	165	6.5	1.5	3.3
R3	169	6.65	202	7.95	236	9.29	169	6.65	169	6.65	2.5	5.5
R4	181	7.13	202	7.95	244	9.61	260	10.24	169	6.65	4.4	9.7

Definitions:

H1 = Height without fastenings and clamping plate
 H2 = Height with fastenings but without clamping plate
 H3 = Height with fastenings and clamping plate
 W = Width
 D = Depth

NEMA1 - Dimensions and Weights

Frame size	H4		H5		W		D		Weight	
	mm	in	mm	in	mm	in	mm	in	kg	lb
R0	257	10.12	280	11.02	70	2.76	169	6.65	1.6	3.5
R1	257	10.12	280	11.02	70	2.76	169	6.65	1.6	3.5
R2	257	10.12	282	11.10	105	4.13	169	6.65	1.9	4.2
R3	260	10.24	299	11.77	169	6.65	177	6.97	3.1	6.8
R4	270	10.63	320	12.60	260	10.24	177	6.97	5.0	11.0

Definitions:

H4 = Height with fastenings and NEMA 1 connection box
 H5 = Height with fastenings, NEMA 1 connection box and hood
 W = Width
 D = Depth

Product Options



The options shown in the table below are available with the ACS310. The factory configured option is a unique plus code. The plus code is added to the end of a basic drive option using a "+" code. Ordering the Field Kit Code provides a field installable kit shipped separately from the drive package.

For example, an ACS310-03U-02A6-2+J400 would be a base drive with an advanced control panel in the drives shipping package. Option descriptions are provided on the subsequent pages.

Options	Ordering Plus Code	Description	Field Kit Code
Protection Class	-	NEMA 1 (R0, R1, R2)	MUL1-R1
	-	NEMA 1 (R3)	MUL1-R3
	-	NEMA 1 (R4)	MUL1-R4
Control Panel	+ J400	Advanced control panel	ACS-CP-A ²⁾
	+ J404	Basic control panel	ACS-CP-C ¹⁾
Panel Mounting Kit	-	Panel mounting kit	ACS/H-CP-EXT
	-	Panel holder mounting kit	OPMP-01
Extension Module	-	Relay output extension module	MREL-01
Tools	-	FlashDrop tool	MFDT-01
	-	DriveWindow Light 2 ³⁾	DriveWindow Light 2 ³⁾
External Options	-	Input chokes	
	-	EMC filters	
	-	Output chokes	
Remote Monitoring	-	Ethernet adapter	SREA-01

¹⁾ The ACS310 is compatible with ACS-CP-C Basic control panel Rev M or later.

²⁾ The ACS310 is compatible with ACS-CP-A Advanced control panel Rev E or later. (New panel series manufactured since 2007 with serial number XYXRXXXX, where year Y = 7 or greater and revision R = E, F, G, ...)

³⁾ The ACS310 is compatible with DriveWindow Light 2 version 2.9 or later.

Product Options

Interfaces



Blank Panel cover
(included as standard)



Basic Control Panel



Advanced Control Panel



Panel mounting kits

User Interfaces

Blank Panel cover

The purpose of the Blank Panel cover is to protect the drive's connection surfaces. The ACS310 drive is delivered with a panel cover as standard. In addition there are two alternative control panels available as options; Basic and Advanced.

Basic Control Panel

The basic control panel features a single line numeric display. The panel can be used to control the drive, set parameter values or copy them from one drive to another.

Advanced Control Panel

The advanced control panel features a multilingual alphanumeric display for easy drive programming. The control panel has various assistants and a built-in help function to guide the user. It includes a real time clock, which can be used during fault logging and in controlling the drive, such as start/stop. The control panel can be used for copying parameters for back up or for downloading to another drive. A large graphical display and soft keys make it extremely easy to navigate.

Panel Mounting Kits

To attach the control panel to the outside of a larger enclosure, two panel mounting kits are available. A simple and cost-efficient installation is possible with the ACS/H-CP-EXT kit, while the OPMP-01 kit provides a more user-friendly solution, including a panel platform that enables the panel to be removed in the same way as a drive-mounted panel. The panel mounting kits include all hardware required, including 3 m extension cables and installation instructions.

Product Options

Interfaces



Machine Interfaces

The embedded Modbus RS-485 fieldbus brings connectivity to major automation systems. A single twisted pair cable avoids large amounts of conventional cabling, thereby reducing costs and increasing system reliability.

Extension Module

MREL-01

ACS310 has one relay output as standard. The optional MREL-01 module offers three additional Form C relay outputs. The outputs can be configured for different functions by setting selected parameters.

Protection and Installation

NEMA 1 Enclosure Kit

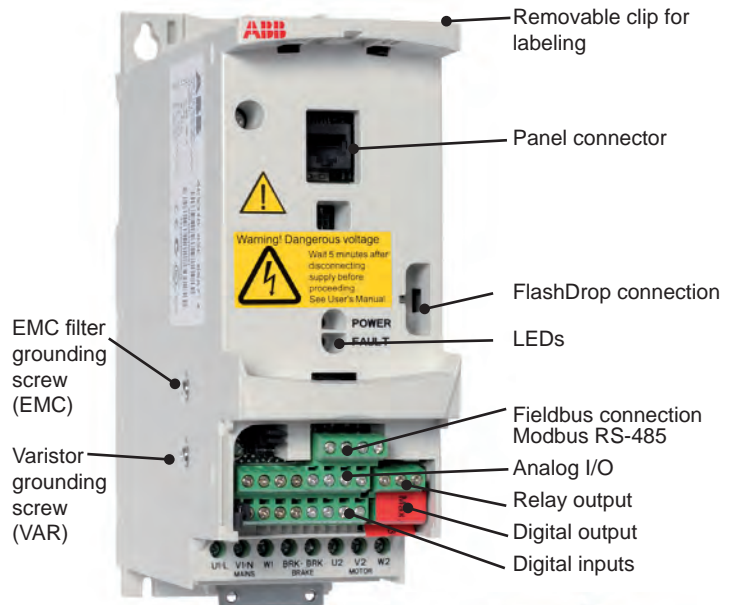
The NEMA 1 enclosure kit includes a connection box for finger protection, conduit tube installation, and a hood for protection against dirt and dust.

Terminal Cover

The terminal cover is for protection of the I/O connections.

Clamping Plates

The clamping plates are used for protection against electrical disturbances. The clamping plates with the clamps are included in the drive package as standard.



Terminal Cover
(included as standard)



Clamping Plates
(included as standard)



MREL-01 Module



Drive here shown with
NEMA 1 Enclosure Kit

Product Options

External



A separate order line and type code is required for any of these external options.

FlashDrop Tool

FlashDrop is a powerful palm sized tool for fast and easy parameter selecting and setting. It gives the possibility to hide selected parameters to protect the machine. Only the parameters needed in the application are shown. The tool can copy parameters between two drives or between a PC and a drive. All the above can be done without a power connection to the drive – in fact, it is not even necessary to unpack the drive.

DrivePM

DrivePM (Drive parameter manager) is a tool to create, edit and copy parameter sets for FlashDrop. For each parameter/group the user has a possibility to hide it, which means that the drive user does not see the parameter/group at all.

DrivePM requirements

- Windows 2000/XP
- Free serial port from a PC

FlashDrop package includes

- FlashDrop tool
- DrivePM software on a CD-rom
- User's manual in English and in pdf-format on the CD-rom
- Cable OPCA-02 for connection between the PC and FlashDrop tool
- Battery charger



SREA-01 Ethernet Adapter

SREA-01 Ethernet adapter with remote monitoring access can send process data, data logs and event messages independently, without a PLC or a dedicated on-site computer. It has an internal web server for configuration and drive access.



Technical Data



Cooling

ACS310 is fitted with cooling fans as standard. The cooling air must be free from corrosive substances and must not be above the maximum ambient temperature of 50 °C. For more specific limits see the Technical specification - Environmental limits in this catalogue.

Cooling Air Flow

Type code	Frame size	Heat dissipation		Air flow	
		w	BTU/Hr	m ³ /h	ft ³ /min
3-phase supply voltage 200 - 240 V units					
ACS310-03U-02A6-2	R0	42	142	_*	_*
ACS310-03U-03A9-2	R0	54	183	_*	_*
ACS310-03U-05A2-2	R1	64	220	24	14
ACS310-03U-07A4-2	R1	86	295	24	14
ACS310-03U-08A3-2	R1	88	302	21	12
ACS310-03U-10A8-2	R2	111	377	21	12
ACS310-03U-19A4-2	R2	180	613	52	31
ACS310-03U-26A8-2	R3	285	975	71	42
ACS310-03U-34A1-2	R4	328	1119	96	57
ACS310-03U-50A8-2	R4	488	1666	96	57
3-phase supply voltage 380 - 480 V units					
ACS310-03U-01A3-4	R0	35	121	_*	_*
ACS310-03U-02A1-4	R0	40	138	_*	_*
ACS310-03U-02A6-4	R1	50	170	13	8
ACS310-03U-03A6-4	R1	60	204	13	8
ACS310-03U-04A5-4	R1	69	235	13	8
ACS310-03U-06A2-4	R1	90	306	19	11
ACS310-03U-09A7-4	R1	127	433	24	14
ACS310-03U-13A8-4	R3	161	551	52	31
ACS310-03U-17A2-4	R3	204	697	52	31
ACS310-03U-25A4-4	R3	301	1029	71	42
ACS310-03U-034A-1	R4	408	1393	96	57
ACS310-03U-41A8-4	R4	498	1700	96	57
ACS310-03U-48A4-4	R4	588	2007	96	57

*) Frame size R0 with free convection cooling.

Fuses

Standard fuses can be used with ABB standard drives. For input fuse connections see table below.

Selection Table

Type code	Frame size	IEC Fuses		UL Fuses	
		A	Fuse type ^{*)}	A	Fuse type ^{*)}
3-phase supply voltage 200 - 240 V units					
ACS310-03U-02A6-2	R0	10	gG	10	UL class T
ACS310-03U-03A9-2	R0	10	gG	10	UL class T
ACS310-03U-05A2-2	R1	10	gG	15	UL class T
ACS310-03U-07A4-2	R1	16	gG	15	UL class T
ACS310-03U-08A3-2	R1	16	gG	15	UL class T
ACS310-03U-10A8-2	R2	16	gG	20	UL class T
ACS310-03U-19A4-2	R2	25	gG	35	UL class T
ACS310-03U-26A8-2	R3	63	gG	60	UL class T
ACS310-03U-34A1-2	R4	80	gG	80	UL class T
ACS310-03U-50A8-2	R4	100	gG	100	UL class T
3-phase supply voltage 380 - 480 V units					
ACS310-03U-01A3-4	R0	10	gG	10	UL class T
ACS310-03U-02A1-4	R0	10	gG	10	UL class T
ACS310-03U-02A6-4	R1	10	gG	10	UL class T
ACS310-03U-03A6-4	R1	10	gG	10	UL class T
ACS310-03U-04A5-4	R1	16	gG	15	UL class T
ACS310-03U-06A2-4	R1	16	gG	15	UL class T
ACS310-03U-09A7-4	R1	20	gG	25	UL class T
ACS310-03U-13A8-4	R3	25	gG	30	UL class T
ACS310-03U-17A2-4	R3	35	gG	35	UL class T
ACS310-03U-25A4-4	R3	50	gG	50	UL class T
ACS310-03U-034A-1	R4	80	gG	80	UL class T
ACS310-03U-41A8-4	R4	100	gG	100	UL class T
ACS310-03U-48A4-4	R4	100	gG	100	UL class T

*) According to IEC-60269 standard.

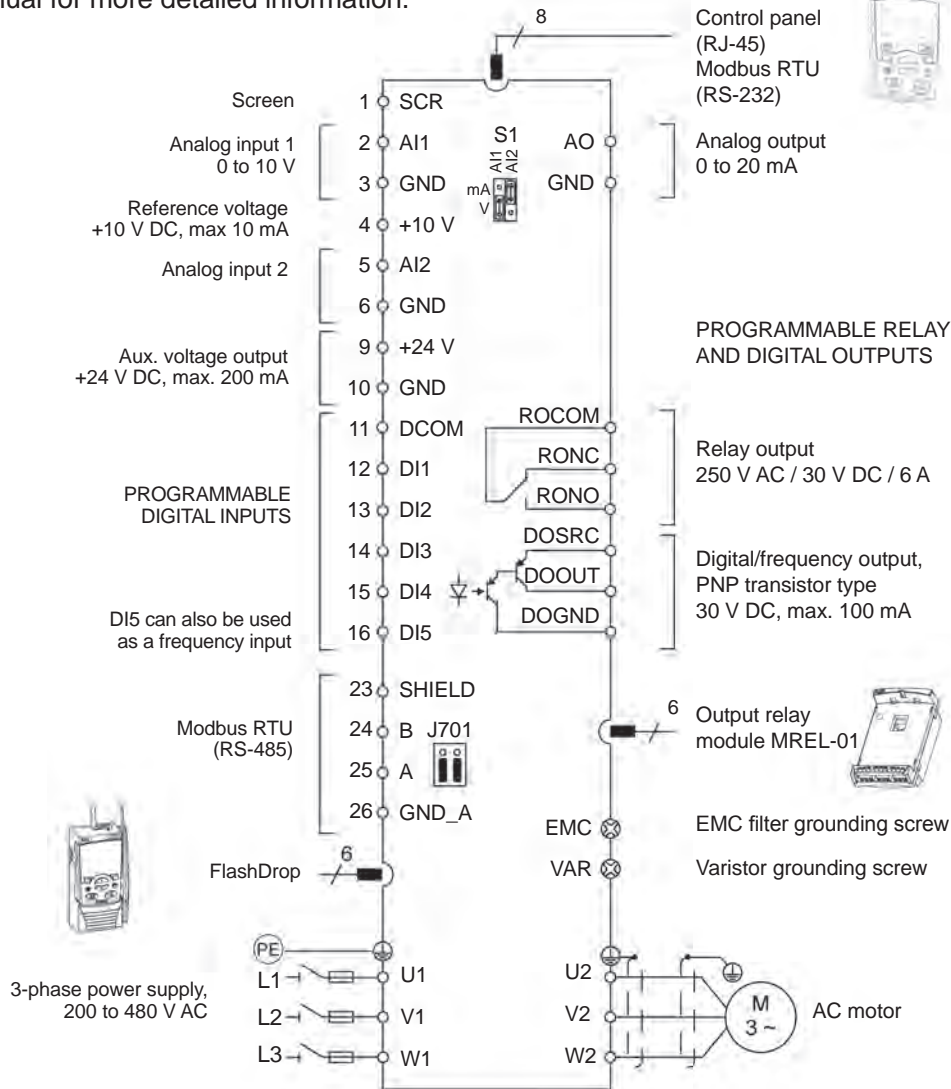
Free Space Requirements

Enclosure type	Space above IN (mm)	Space below IN (mm)	Space on left/right IN (mm)
All frame sizes	2.95 (75)	2.95 (75)	0 (0)

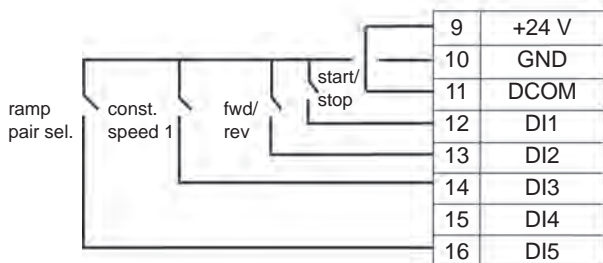
Control Connections



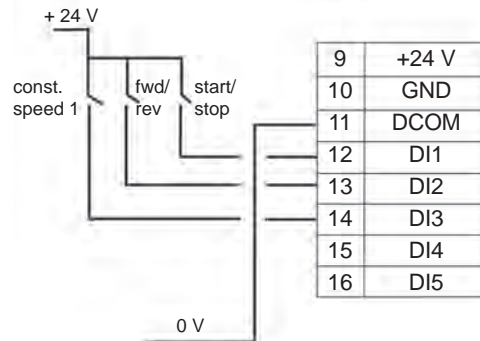
The diagram below gives an overview of ACS310 control connections. Please refer to the ACS310 User's Manual for more detailed information.



DI configuration NPN connected (sink)



DI configuration PNP connected (source) with external power supply



Product Options

Software tools



A separate order line and type code is required for any of these software tool options.

DriveWindow Light 2

DriveWindow Light 2¹⁾ is an easy-to-use start-up and maintenance tool for ACS310 drives. It can be used in an offline mode, which enables parameter setting at the office even before going to the actual site. The parameter browser enables viewing, editing and saving of parameters. The parameter comparison feature makes it possible to compare parameter values between the drive and saved parameter files. With the parameter subset you can create your own parameter sets. Controlling the drive is one of the features in DriveWindow Light. With this software tool, you can monitor up to four signals simultaneously. This can be done in both graphical and numerical format. Any signal can be set to stop the monitoring from a predefined level.

Start-up Wizards

Start-up wizards make the setting of parameters easy. Simply launch the wizard, select an appropriate assistant e.g. for setting analog outputs, and all parameters related to this function are shown together with help pictures.

Highlights

- Editing, saving and downloading parameters
- Graphical and numerical signal monitoring
- Drive control
- Start-up wizards

DriveWindow Light Requirements

- Windows NT/2000/XP
- Free serial port from a PC
- Free control panel connector

Note:

¹⁾ DriveWindow Light 2 version 2.9 or later.

