

MODEL 25T/H - INCREMENTAL ENCODER



Ø2.5"

FEATURES

- 2.5" Opto-ASIC Encoder with a Low Profile (2.0")
- Standard Bore Sizes Ranging from 0.625" to 1.125"
- Metric Bore Sizes Ranging from 6 mm to 28 mm
- Single Replacement Solution for 2.0" to 3.5" Encoders
- Resolutions to 10,000 CPR; Frequencies to 1 MHz
- Versatile Flexible Mounting Options
- RoHS Compliant

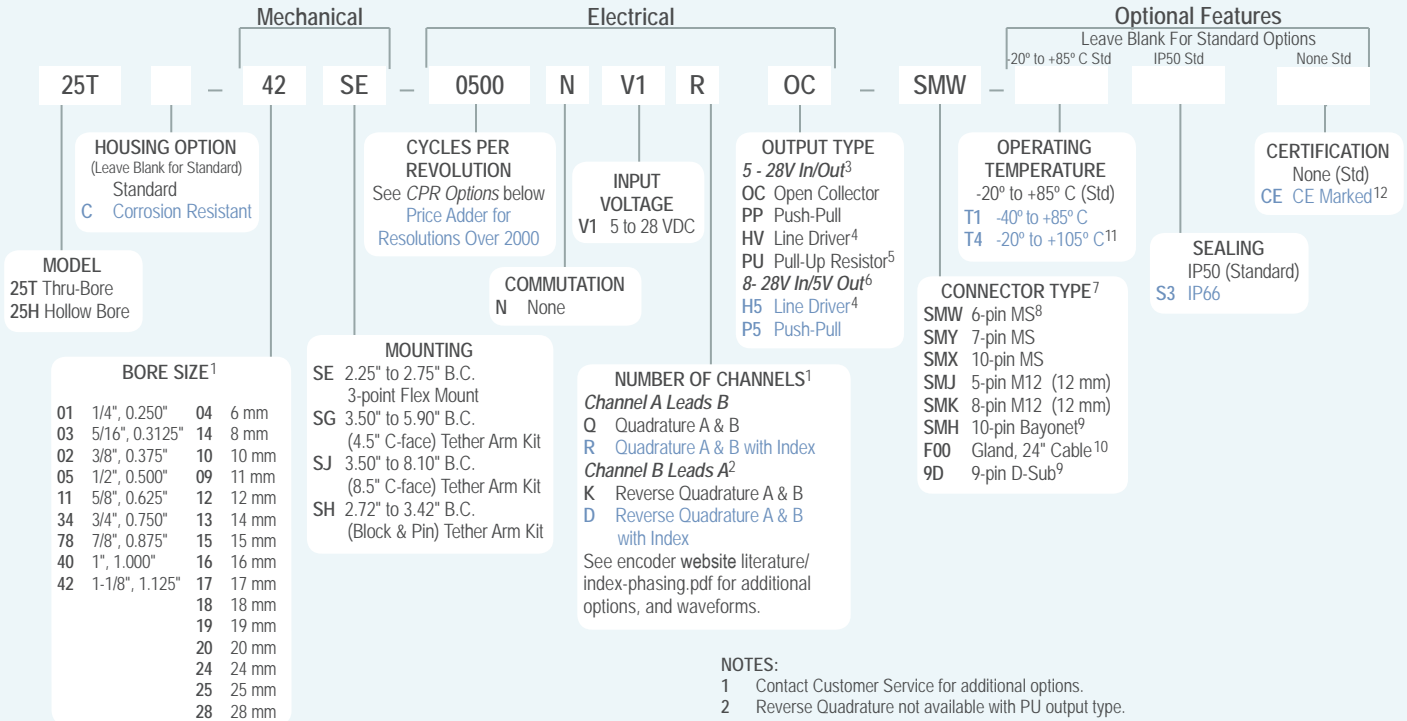
Representing the next generation of high performance encoders, the Model 25T Accu-Coder™ features the largest thru-bore available in a 2.5" encoder, able to mount directly on shafts as large as 1.125" (28 mm). With resolutions up to 10,000 CPR and frequencies up to 1MHz, this industrial strength encoder is perfect for fast revving motors. The 25T features the next generation of EPC's proprietary Opto-ASIC sensor, which provides superior accuracy and precision counts. The injection molded housing, made from EPC's custom blend of nylon composites, is grooved with "cooling fins" and can tolerate the extreme heat of the motion-control industry. With sealing available up to IP66 and many new rugged flexible mounting options, the Model 25T can perform in demanding industrial environments.

COMMON APPLICATIONS

Motor-Mounted Feedback and Vector Control, Specialty Machines, Robotics, Web Process Control, Paper and Printing, High Power Motors

MODEL 25T/H ORDERING GUIDE

Blue type indicates price adder options. Not all configuration combinations may be available. Contact Customer Service for details.



MODEL 25T/H CPR OPTIONS

0001	0002	0003	0005	0008	0010	0011	0012
0024	0025	0030	0032	0050	0060	0064	0070
0080	0100	0105	0115	0120	0125	0150	0180
0192	0200	0240	0250	0256	0300	0336	0360
0500	0512	0600	0625	1000	1024	1200	1250
1800	2000	2048	2500	3600	4096	5000	7200
8192	10,000						

Contact Customer Service for other disk resolutions.

NOTES:

- Contact Customer Service for additional options.
- Reverse Quadrature not available with PU output type.
- 24 VDC max for T4 temperature option.
- Not available with 5-pin M12 or 6-pin MS style connectors. Available with 7-pin MS style connector without index Z.
- With Input Voltage above 16 VDC, operating temperature is limited to 85° C max.
- Standard operating temperature only.
- For mating connectors, cables, and cordsets, see Encoder Accessories on page 102 or visit encoder website. For Pin Configuration Diagrams, see page 107 or visit encoder website. 8 Not available with CE option.
- Not available with corrosion resistant option.
- For non-standard English cable lengths, enter 'F' plus cable length expressed in feet. Example: F06 = 6 feet of cable.
- Contact Customer Service for availability on resolutions < 360 CPR.
- Please refer to Technical Bulletin TB100: *When to Choose the CE Option* at encoder website. Contact Customer Service for availability.

MODEL 25T/H SPECIFICATIONS

Electrical

Input Voltage..... 4.75 to 28 VDC max for temperatures up to 85° C
 4.75 to 24 VDC max for temperatures between 85° and 105° C

Input Current 100 mA max with no output load

Output Format Incremental – Two square waves in quadrature with channel A leading B for clockwise shaft rotation, as viewed from the mounting face.
 See *Waveform Diagram*, below.

Output Types..... Open Collector – 20 mA max per channel
 Pull Up - Open Collector with 2.2K ohm resistor, 20 mA max per channel
 Push-Pull – 20 mA max per channel
 Line Driver – 20 mA max per channel (Meets RS 422 at 5 VDC supply)

Index..... Once per revolution.
 1 to 360 CPR: Ungated
 361 to 10,000 CPR: Gated to output A
 See *Waveform Diagram*, below.

Max Frequency 250 kHz for 1 to 2500 CPR
 500 kHz for 2501 to 5000 CPR
 1 MHz for 5001 to 10,000 CPR

CE Testing Emissions tested per EN61000-6-3:2001 as applicable. Immunity tested per EN61000-6-2: 2005 as applicable.

Min. Edge Sep 45° electrical min, 63° electrical or better typical

Rise Time Less than 1 microsecond

Accuracy Within 0.1° mechanical from one cycle to any other cycle, or 6 arc minutes.

Mechanical

Max Shaft Speed 6000 RPM, 8000 RPM intermittent
 4000 RPM for IP66 seal option

Bore Tolerance -0.0000"/+0.0008"

User Shaft Tolerances
 Radial Runout 0.005" max
 Axial Endplay..... ±0.050" max

Starting Torque IP50 sealing: 1.0 oz-in typical
 IP66 sealing: 4.0 oz-in typical
 Note: Add 1.0 oz-in typical for -20° C operation

Moment of Inertia ... 7.6 x 10⁻⁴ oz-in-sec²

Max Acceleration 1x10⁵ rad/sec²

Housing Proprietary nylon composite

Weight..... 8 oz typical

Environmental

Storage Temp..... -20° to 85° C

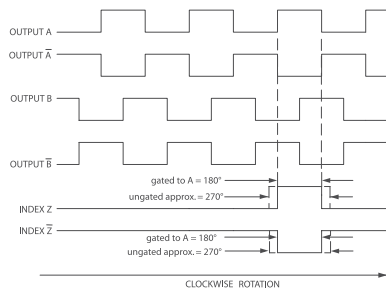
Humidity..... 98% RH non-condensing

Vibration 20 g @ 5 to 2000 Hz

Shock..... 80 g @ 11 ms duration

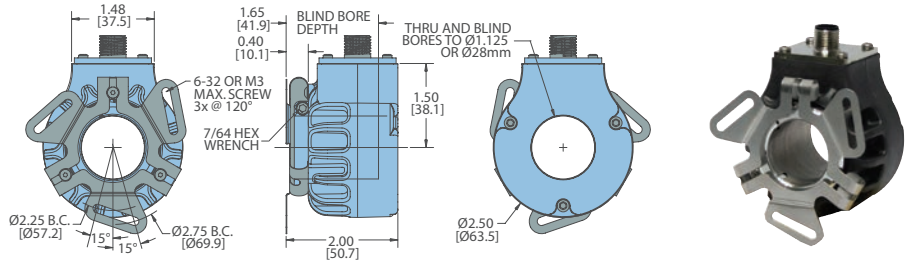
Sealing..... IP50, IP66 with shaft seals at both ends

WAVEFORM DIAGRAM

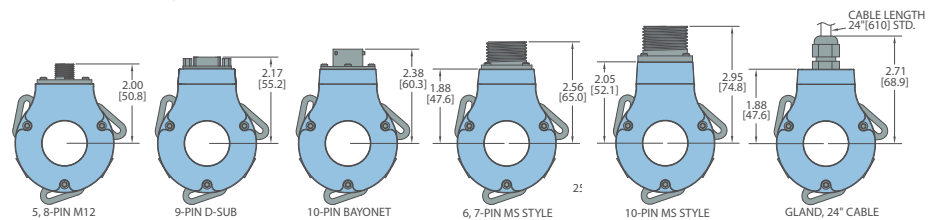


NOTE: ALL DEGREE REFERENCES ARE ELECTRICAL DEGREES. WAVEFORM SHOWN WITH OPTIONAL COMPLEMENTARY SIGNALS \bar{A} , \bar{B} , \bar{Z} FOR HV OUTPUT ONLY.

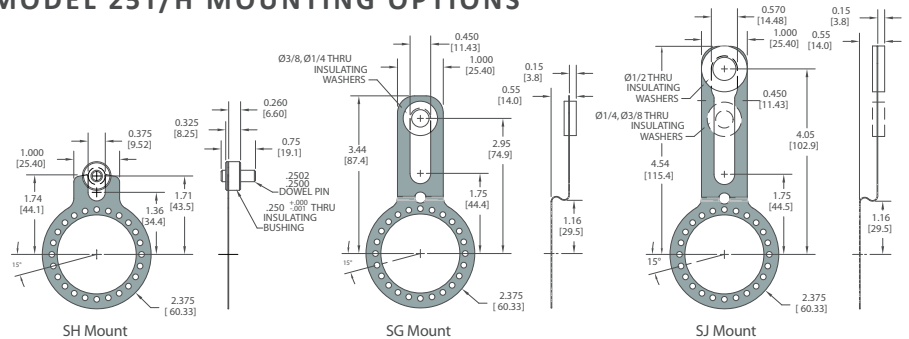
MODEL 25T/H



MODEL 25T/H CONNECTOR OPTIONS



MODEL 25T/H MOUNTING OPTIONS



All dimensions are in inches with a tolerance of ±0.005" or ±0.01" unless otherwise specified.

WIRING TABLE

Function	Gland Cable [†] Wire Color	5-pin M12**	8-pin M12**	10-pin MS	7-pin MS HV, HS	7-pin MS PU, PP, OC, P5	6-pin MS PU, PP, OC, P5	9-pin D-sub	10-pin Bayonet HV, HS, OD, PU, PP, OC, P5
Com	Black	3	7	F	F	F	A, F	9	F
+VDC	White	1	2	D	D	D	B	1	D
A	Brown	4	1	A	A	A	D	2	A
A'	Yellow	--	3	H	C	--	--	3	H
B	Red	2	4	B	B	B	E	4	B
B'	Green	--	5	I	E	--	--	5	J
Z	Orange	5	6	C	--	C	C	6	C
Z'	Blue	--	8	J	--	--	--	J	K
Case	--	--	--	G	G	G	--	8	G
Shield	Bare*	--	--	--	--	--	--	--	--

*CE Option: Cable shield (bare wire) is connected to internal case.
 **CE Option: Read Technical Bulletin TB111. Available at encoder website. [†]Standard cable is 24 AWG conductors with foil and braid shield.