

**Insulated
Industry Standard**

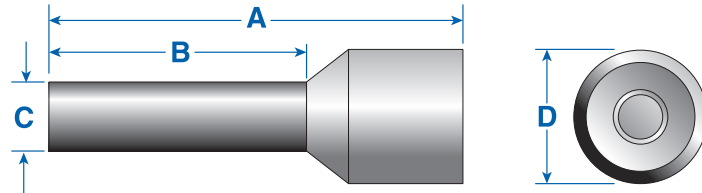
Ferrules insure reliable electrical connections when terminating stranded flexible wire in terminal blocks, circuit breakers or other control devices. Insulated ferrules prevent conductor breakage due to bending, wire stress or vibration while facilitating wire insertion into the terminal clamp.

Altech's standard insulated ferrules are color coded by conductor size for convenient identification.

To ensure efficient ferrule crimping, always select the smallest ferrule diameter that fits the wire and use only professional crimping tools. (Please refer to the ordering pages and the Crimper Selector Guide on page 98.)

- Sleeve: polypropylene
- Tube: tin-plated copper

INDUSTRY STANDARD FERRULES



	AWG (mm ²)	Color	Type	Cat. No.	Stripping Length mm (in.)	Ferrule Dimensions mm (in.)				Std. Pk.*
						A	B	C	D	
	24 (.25)	Lt. Blue	H0.25/6	2620.0	6.0(.24)	10.0 (.39)	6.0 (.24)	1.2 (.05)	2.3 (.09)	500/100
	24 (.25)	Lt. Blue	H0.25/8	2621.0	8.0(.31)	12.0 (.47)	8.0 (.31)	1.2 (.05)	2.3 (.09)	500/100
	22 (.34)	Turquoise	H0.34/6	2622.0	6.0(.24)	10.0 (.39)	6.0 (.24)	1.2 (.05)	2.5 (.10)	500/100
	22 (.34)	Turquoise	H0.34/8	2623.0	8.0(.31)	12.0 (.47)	8.0 (.31)	1.2 (.05)	2.5 (.10)	500/100
	20 (.50)	Orange	H0.50/6	2397.0	6.0(.24)	12.0 (.47)	6.0 (.24)	1.3 (.05)	2.8 (.11)	500/100
	20 (.50)	Orange	H0.50/8	2201.0	8.0(.31)	14.0 (.55)	8.0 (.31)	1.3 (.05)	2.8 (.11)	500/100
	18 (.75)	White	H0.75/6	2398.0	6.0(.24)	12.0 (.47)	6.0 (.24)	1.5 (.06)	3.3 (.13)	500/100
	18 (.75)	White	H0.75/8	2202.0	8.0(.31)	14.0 (.55)	8.0 (.31)	1.5 (.06)	3.3 (.13)	500/100
	18 (1.00)	Yellow	H1.00/6	2399.0	6.0(.24)	12.0 (.47)	6.0 (.24)	1.7 (.07)	3.5 (.14)	500/100
	18 (1.00)	Yellow	H1.00/8	2203.0	8.0(.31)	14.0 (.55)	8.0 (.31)	1.7 (.07)	3.5 (.14)	500/100
	16 (1.50)	Red	H1.50/8	2204.0	8.0(.31)	14.0 (.55)	8.0 (.31)	2.0 (.08)	4.0 (.16)	500/100
	16 (1.50)	Red	H1.50/10	2400.0	10.0(.39)	16.0 (.63)	10.0 (.39)	2.0 (.08)	4.0 (.16)	500/100
	16 (1.50)	Red	H1.50/18	2205.0	18.0(.71)	24.0 (.94)	18.0 (.71)	2.0 (.08)	4.0 (.16)	500/100
	14 (2.50)	Blue	H2.50/8	2206.0	8.0(.31)	14.0 (.55)	8.0 (.31)	2.5 (.10)	4.7 (.19)	500/100
	14 (2.50)	Blue	H2.50/12	2401.0	12.0(.47)	18.0 (.71)	12.0 (.47)	2.5 (.10)	4.7 (.19)	500/100
	14 (2.50)	Blue	H2.50/18	2207.0	18.0(.71)	24.0 (.94)	18.0 (.71)	2.5 (.10)	4.7 (.19)	500/100
	12 (4.00)	Gray	H4.00/10	2208.0	10.0(.39)	17.0 (.67)	10.0 (.39)	3.2 (.13)	5.4 (.21)	500/100
	12 (4.00)	Gray	H4.00/12	2402.0	12.0(.47)	20.0 (.79)	12.0 (.47)	3.2 (.13)	5.4 (.21)	500/100
	12 (4.00)	Gray	H4.00/18	2209.0	18.0(.71)	26.0 (1.02)	18.0 (.71)	3.2 (.13)	5.4 (.21)	100
	10 (6.00)	Black	H6.00/12	2210.0	12.0(.47)	20.0 (.79)	12.0 (.47)	3.9 (.15)	6.9 (.27)	100
	10 (6.00)	Black	H6.00/18	2211.0	18.0(.71)	26.0 (1.02)	18.0 (.71)	3.9 (.15)	6.9 (.27)	100
	8 (10.00)	Ivory	H10.0/12	2212.0	12.0(.47)	22.0 (.87)	12.0 (.47)	4.9 (.19)	8.4 (.33)	100
	8 (10.00)	Ivory	H10.0/18	2213.0	18.0(.71)	28.0 (1.10)	18.0 (.71)	4.9 (.19)	8.4 (.33)	100
	6 (16.00)	Green	H16.0/12	2214.0	12.0(.47)	24.0 (.94)	12.0 (.47)	6.2 (.24)	9.6 (.38)	100
	6 (16.00)	Green	H16.0/18	2215.0	18.0(.71)	28.0 (1.10)	18.0 (.71)	6.2 (.24)	9.6 (.38)	100
	4 (25.00)	Brown	H25.0/18	2267.0	18.0(.71)	30.0 (1.18)	18.0 (.71)	7.7 (.30)	12.0(.47)	50
	4 (25.00)	Brown	H25.0/22	2272.0	22.0(.87)	36.0 (1.42)	22.0 (.87)	7.7 (.30)	12.0(.47)	50
	2 (35.00)	Beige	H35.0/18	2276.0	18.0(.71)	30.0 (1.18)	18.0 (.71)	8.7 (.34)	13.5(.53)	50
	2 (35.00)	Beige	H35.0/25	2390.0	25.0(.98)	39.0 (1.54)	25.0 (.98)	8.7 (.34)	13.5(.53)	50
	1 (50.00)	Olive	H50.0/20	2500.0	20.0(.79)	36.0 (1.42)	20.0 (.79)	10.9(.43)	16.0(.63)	50
	2/0 (70.00)	Yellow	H70.0/21	2786.0	20.0(.79)	37.0 (1.46)	20.0 (.79)	13.4(.53)	17.0(.67)	25
	3/0 (95.00)	Red	H95.0/25	2787.0	25.0(.98)	44.0 (1.73)	25.0 (.98)	15.4(.61)	19.0(.75)	25
	4/0 (120.00)	Blue	H120.0/27	2788.0	27.0(1.06)	48.0 (1.89)	27.0 (1.06)	17.6(.69)	22.4(.88)	25
	250MCM(150.0)	Yellow	H150.0/27	2789.0	32.0(1.26)	58.0 (2.28)	32.0 (1.26)	20.5(.81)	25.0(.98)	25

**CRIMPER SELECTOR
GUIDE**
See page 109.

* Different standard packs are available as shown. To order the desired standard pack, please use the quantity required as a suffix to the cat. no.
Example for 100 standard pack: Type H0.25/6, Cat. No. 2620.0/100

Insulated DIN Standard

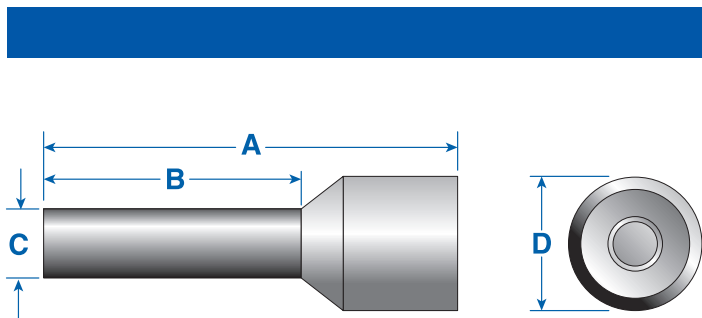
Ferrules insure reliable electrical connections when terminating stranded flexible wire in terminal blocks, circuit breakers or other control devices.

Insulated ferrules prevent conductor breakage due to bending, wire stress or vibration while facilitating wire insertion into the terminal clamp.

Altech's DIN standard ferrules are in compliance with DIN requirements, making them ideal for export applications. They also have a specified color code convention that differs from the color code used for Altech's industry standard ferrules.

To ensure efficient ferrule crimping, always select the smallest ferrule diameter that fits the wire and use only professional crimping tools. (Please refer to the ordering pages and the Crimper Selector Guide on page 98.)

- Sleeve: polypropylene
- Tube: tin plated copper



	AWG (mm2)	Color	Type	Cat. No.	Stripping Length mm (in.)	Ferrule Dimensions mm (in.)				Std. Pk.*
						A	B	C	D	
	20 (.50)	White	H0.50/6	2863.0	6.0(.24)	12.0 (.47)	6.0 (.24)	1.3 (.05)	2.8 (.11)	500/100
	20 (.50)	White	H0.50/8	2864.0	8.0(.31)	14.0 (.55)	8.0 (.31)	1.3 (.05)	2.8 (.11)	500/100
	20 (.50)	White	H0.50/10	2865.0	10.0(.39)	16.0 (.63)	10.0 (.39)	1.3 (.05)	2.8 (.11)	500/100
	18 (.75)	Gray	H0.75/6	2866.0	6.0(.24)	12.0 (.47)	6.0 (.24)	1.5 (.06)	3.3 (.13)	500/100
	18 (.75)	Gray	H0.75/8	2867.0	8.0(.31)	14.0 (.55)	8.0 (.31)	1.5 (.06)	3.3 (.13)	500/100
	18 (.75)	Gray	H0.75/10	2868.0	10.0(.39)	16.0 (.63)	10.0 (.39)	1.5 (.06)	3.3 (.13)	500/100
	18 (.75)	Gray	H0.75/12	2869.0	12.0(.47)	18.0 (.71)	12.0 (.47)	1.5 (.06)	3.3 (.13)	500/100
	18 (1.00)	Red	H1.00/6	2870.0	6.0(.24)	12.0 (.47)	6.0 (.24)	1.7 (.07)	3.5 (.14)	500/100
	18 (1.00)	Red	H1.00/8	2871.0	8.0(.31)	14.0 (.55)	8.0 (.31)	1.7 (.07)	3.5 (.14)	500/100
	18 (1.00)	Red	H1.00/10	2872.0	10.0(.39)	16.0 (.63)	10.0 (.39)	1.7 (.07)	3.5 (.14)	500/100
	18 (1.00)	Red	H1.00/12	2840.0	12.0(.47)	18.0 (.71)	12.0 (.47)	1.7 (.07)	3.5 (.14)	500/100
	16 (1.50)	Black	H1.50/8	2841.0	8.0(.31)	14.0 (.55)	8.0 (.31)	2.0 (.08)	4.0 (.16)	500/100
	16 (1.50)	Black	H1.50/10	2842.0	10.0(.39)	16.0 (.63)	10.0 (.39)	2.0 (.08)	4.0 (.16)	500/100
	16 (1.50)	Black	H1.50/12	2843.0	12.0(.47)	18.0 (.71)	12.0 (.47)	2.0 (.08)	4.0 (.16)	500/100
	16 (1.50)	Black	H1.50/18	2844.0	18.0(.71)	24.0 (.94)	18.0 (.71)	2.0 (.08)	4.0 (.16)	500/100
	14 (2.50)	Blue	H2.50/8	2845.0	8.0(.31)	14.0 (.55)	8.0 (.31)	2.5 (.10)	4.7 (.19)	500/100
	14 (2.50)	Blue	H2.50/12	2846.0	12.0(.47)	18.0 (.71)	12.0 (.47)	2.5 (.10)	4.7 (.19)	500/100
	14 (2.50)	Blue	H2.50/18	2847.0	18.0(.71)	24.0 (.94)	18.0 (.71)	2.5 (.10)	4.7 (.19)	500/100
	12 (4.00)	Gray	H4.00/10	2848.0	10.0(.39)	17.0 (.71)	10.0 (.39)	3.2 (.13)	5.4 (.21)	500/100
	12 (4.00)	Gray	H4.00/12	2849.0	12.0(.47)	20.0 (.79)	12.0 (.47)	3.2 (.13)	5.4 (.21)	500/100
	12 (4.00)	Gray	H4.00/18	2850.0	18.0(.71)	26.0 (1.02)	18.0 (.71)	3.2 (.13)	5.4 (.21)	100
	10 (6.00)	Yellow	H6.00/12	2851.0	12.0(.47)	20.0 (.79)	12.0 (.47)	3.9 (.16)	6.9 (.27)	100
	10 (6.00)	Yellow	H6.00/18	2852.0	18.0(.71)	26.0 (1.02)	18.0 (.71)	3.9 (.16)	6.9 (.27)	100
	8 (10.00)	Red	H10.00/12	2853.0	12.0(.47)	22.0 (.87)	12.0 (.47)	4.9 (.20)	8.4 (.33)	100
	8 (10.00)	Red	H10.00/18	2854.0	18.0(.71)	28.0 (1.10)	18.0 (.71)	4.9 (.20)	8.4 (.33)	100
	6 (16.00)	Blue	H16.00/12	2855.0	12.0(.47)	24.0 (.87)	12.0 (.47)	6.2 (.24)	9.6 (.38)	100
	6 (16.00)	Blue	H16.00/18	2856.0	18.0(.71)	28.0 (1.10)	18.0 (.71)	6.2 (.24)	9.6 (.38)	100
	4 (25.00)	Yellow	H25.00/18	2857.0	18.0(.71)	30.0 (1.18)	18.0 (.71)	7.7 (.30)	12.0 (.47)	50
	4 (25.00)	Yellow	H25.00/22	2858.0	22.0(.87)	36.0 (1.5)	22.0 (.87)	7.7 (.30)	12.0 (.47)	50
	2 (35.00)	Red	H35.00/18	2859.0	18.0(.71)	30.0 (1.18)	18.0 (.71)	8.7 (.34)	13.5 (.53)	50
	2 (35.00)	Red	H35.00/25	2860.0	25.0(.98)	39.0 (1.54)	25.0 (.98)	8.7 (.34)	13.5 (.53)	50
	1 (50.00)	Blue	H50.00/20	2861.0	20.0(.79)	36.0 (1.5)	20.0 (.79)	10.9 (.43)	16.0 (.63)	50

Uninsulated

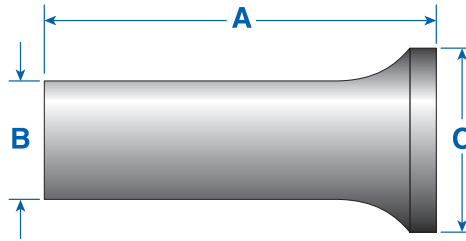
Ferrules insure reliable electrical connections when terminating stranded flexible wire in terminal blocks, circuit breakers or other control devices.

Uninsulated ferrules prevent wire strands from fraying and breaking and are extremely cost effective. Their shorter lengths and uninsulated bodies offer advantages when making terminations in printed circuit board terminal blocks and in other terminal blocks with smaller clamps or narrow widths.

To ensure efficient ferrule crimping, always select the smallest ferrule diameter that fits the wire and use only professional crimping tools. (Please refer to the ordering pages and the Crimper Selector Guide on page 109.)

•Tube: tin plated copper

UNINSULATED FERRULES



	AWG (mm ²)	Type	Cat. No.	Stripping Length mm (in.)	Ferrule Dimensions mm (in.)			Std. Pk.*
					A	B	C	
	20 (.50)	H0.50/6	2216.0	6.0 (.24)	6.0 (.24)	1.3 (.05)	2.1 (.08)	1000/100
	18 (.75)	H0.75/6	2217.0	6.0 (.24)	6.0 (.24)	1.5 (.06)	2.3 (.09)	1000/100
	18 (.75)	H0.75/10	2218.0	10.0 (.39)	10.0 (.39)	1.5 (.06)	2.3 (.09)	1000/100
	18 (1.00)	H1.00/6	2219.0	6.0 (.24)	6.0 (.24)	1.7 (.07)	2.5 (.10)	1000/100
	18 (1.00)	H1.00/10	2220.0	10.0 (.39)	10.0 (.39)	1.7 (.07)	2.5 (.10)	1000/100
	16 (1.50)	H1.50/7	2221.0	7.0 (.28)	7.0 (.28)	2.3 (.09)	2.8 (.11)	1000/100
	16 (1.50)	H1.50/10	2222.0	10.0 (.39)	10.0 (.39)	2.3 (.09)	2.8 (.11)	1000/100
	14 (2.50)	H2.50/7	2223.0	7.0 (.28)	7.0 (.28)	2.5 (.10)	3.4 (.13)	1000/100
	14 (2.50)	H2.50/12	2224.0	12.0 (.47)	12.0 (.47)	2.5 (.10)	3.4 (.13)	1000/100
	12 (4.00)	H4.00/9	2225.0	9.0 (.35)	9.0 (.35)	3.2 (.13)	4.0 (.16)	1000/100
	12 (4.00)	H4.00/12	2226.0	12.0 (.47)	12.0 (.47)	3.2 (.13)	4.0 (.16)	1000/100
	10 (6.00)	H6.00/12	2227.0	12.0 (.47)	12.0 (.47)	3.9 (.15)	4.7 (.19)	500/100
	10 (6.00)	H6.00/15	2388.0	15.0 (.59)	15.0 (.59)	3.9 (.15)	4.7 (.19)	500/100
	8 (10.00)	H10.00/12	2228.0	12.0 (.47)	12.0 (.47)	4.9 (.19)	5.8 (.23)	500/100
	8 (10.00)	H10.00/15	2389.0	15.0 (.59)	15.0 (.59)	4.9 (.19)	5.8 (.23)	500/100
	8 (10.00)	H10.00/18	2229.0	18.0 (.71)	18.0 (.71)	4.9 (.19)	5.8 (.23)	500/100
	6 (16.00)	H16.00/12	2391.0	12.0 (.47)	12.0 (.47)	6.2 (.24)	7.5 (.30)	500/100
	6 (16.00)	H16.00/15	2392.0	15.0 (.59)	15.0 (.59)	6.2 (.24)	7.5 (.30)	500/100
	6 (16.00)	H16.00/18	2393.0	18.0 (.71)	18.0 (.71)	6.2 (.24)	7.5 (.30)	100
	4 (25.00)	H25.00/15	2394.0	15.0 (.59)	15.0 (.59)	7.7 (.30)	9.5 (.37)	500/100
	4 (25.00)	H25.00/18	2395.0	18.0 (.71)	18.0 (.71)	7.7 (.30)	9.5 (.37)	100
	2 (35.00)	H35.00/18	2396.0	18.0 (.71)	18.0 (.71)	8.7 (.34)	11.0 (.43)	100
	1 (50.00)	H50.00/32	2816.0	32.0 (1.26)	32.0 (1.26)	10.9 (.43)	13.0 (.51)	100
	2/0 (70.00)	H70.00/25	2790.0	25.0 (0.98)	25.0 (.98)	13.3 (.52)	15.0 (.59)	100
	3/0 (95.00)	H95.00/32	2791.0	32.0 (1.26)	32.0 (1.26)	15.3 (.60)	17.0 (.67)	50
	4/0 (120.00)	H120.00/32	2792.0	32.0 (1.26)	32.0 (1.26)	17.5 (.69)	19.0 (.75)	25
	250MCM(150.00)	H150.00/32	2793.0	32.0 (1.26)	32.0 (1.26)	19.5 (.77)	21.0 (.83)	25
	350MCM(185.00)	H185.00/32	2815.0	32.0 (1.26)	32.0 (1.26)	21.2 (.83)	23.5 (.93)	25

CRIMPER SELECTOR GUIDE

See page 109.

* Different standard packs are available as shown. To order the desired standard pack, please use the quantity required as a suffix to the cat. no. Example for 100 standard pack: Type H0.50/6, Cat. No. 2216.0/100

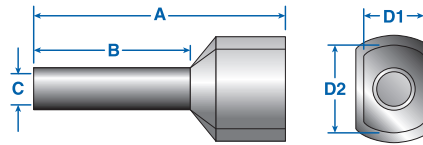
Dual Wire Insulated

Dual Wire Ferrules have larger diameters and special shaped sleeves that accept two conductors of the same or different size. They provide an efficient connection of multiple wires in the same terminal clamp or simplify wire jumpering between terminal clamps. They are color coded with the same convention as the insulated DIN standard ferrules.

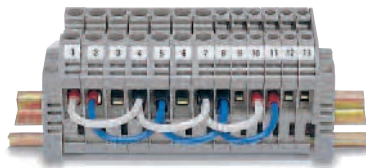
To ensure efficient ferrule crimping always select the smallest ferrule diameter that fits the wire and use only professional crimping tools. (Please refer to the ordering pages and the Crimper Selector Guide on page 109.)

- Sleeve: polypropylene
- Tube: tin plated copper

DUAL WIRE FERRULES



	Wires x AWG (mm ²)	Color	Type	Cat. No.	Stripping Length mm (in.)	A	B	C	D1	D2	Std. Pk.*
	2x20 (2x.50)	White	H2x0.50/8	2794.0	11.0 (.43)	14.6 (.57)	8.2 (.32)	1.7 (.07)	3.0 (.12)	5.0 (.20)	500/100
	2x18 (2x.75)	Gray	H2x0.75/8	2775.0	11.0 (.43)	14.6 (.57)	8.2 (.32)	2.0 (.08)	3.0 (.12)	5.5 (.22)	500/100
	2x18 (2x.75)	Gray	H2x0.75/10	2795.0	13.0 (.51)	16.4 (.65)	10.0 (.39)	2.0 (.08)	3.0 (.12)	5.5 (.22)	500/100
	2x18 (2x1.0)	Red	H2x1.00/8	2776.0	11.0 (.43)	15.4 (.61)	8.2 (.32)	2.4 (.09)	3.2 (.13)	5.8 (.23)	500/100
	2x18 (2x1.0)	Red	H2x1.00/18	2796.0	21.0 (.83)	25.2 (.99)	18.0 (.71)	2.4 (.09)	3.2 (.13)	5.8 (.23)	500/100
	2x16 (2x1.5)	Black	H2x1.50/8	2777.0	12.0 (.47)	15.8 (.62)	8.2 (.32)	2.6 (.10)	3.6 (.14)	6.5 (.26)	500/100
	2x16 (2x1.5)	Black	H2x1.50/12	2797.0	16.0 (.63)	19.6 (.77)	12.0 (.47)	2.6 (.10)	3.6 (.14)	6.5 (.26)	500/100
	2x14 (2x2.5)	Blue	H2x2.50/10	2778.0	14.0 (.55)	18.5 (.73)	10.0 (.39)	3.3 (.13)	4.5 (.18)	8.0 (.31)	500/100
	2x14 (2x2.5)	Blue	H2x2.50/12	2798.0	17.0 (.67)	20.5 (.80)	12.0 (.47)	3.3 (.13)	4.5 (.18)	8.0 (.31)	500/100
	2x12 (2x4.0)	Gray	H2x4.00/12	2799.0	16.0 (.63)	22.0 (.87)	12.0 (.47)	3.9 (.15)	5.2 (.20)	9.0 (.35)	100
	2x10 (2x6.0)	Yellow	H2x6.00/12	2800.0	18.0 (.71)	23.0 (.91)	12.0 (.47)	5.0 (.20)	6.2 (.24)	11.4 (.45)	100
	2x8 (2x10.0)	Red	H2x10.00/12	2801.0	18.0 (.71)	24.0 (.94)	12.0 (.47)	6.2 (.24)	7.6 (.30)	13.4 (.53)	100
	2X6 (2x16.0)	Blue	H2x16.00/16	2802.0	20.0 (.79)	29.0 (1.14)	16.0 (.63)	8.9 (.35)	9.5 (.37)	17.2 (.68)	100/50



* Different standard packs are available for many ferrules. To order the desired standard pack, please use the quantity required as a suffix to the Cat. No.

**Example: Type H2x0.50/0,
Cat. No. 2794.0/100 for a standard pack of 100**

INSULATED FERRULES Assortment Box

Handy Assortment Boxes for convenient dispensing and storage of Industry and DIN Standard Insulated Ferrules. Types AB1-S and AB1-D are equipped with five different ferrule sizes. Types AB2-S and AB2-D are equipped with four different ferrule sizes. Contents of each box is listed. Dimensions for industry and DIN standard insulated ferrules are listed on pages 106.



AB1-S



AB2-S

Ferrule Qty.	AWG (mm ²)	Ferrule Type	Ferrule Cat. No.	Ferrule Color	Type	Cat. No.	Std. Pk.
AB1-S Industry Standard					AB1-S	2884.9	1
50	20 (.50)	H0.50/8	2201.0	Orange			
100	20 (.75)	H0.75/8	2202.0	White			
100	18 (1.00)	H1.00/6	2399.0	Yellow			
100	16 (1.50)	H1.50/8	2204.0	Red			
50	14 (2.50)	H2.50/8	2206.0	Blue			
AB2-S Industry Standard					AB2-S	2885.9	1
50	12 (4.0)	H4.00/10	2208.0	Gray			
20	10 (6.0)	H6.00/12	2210.0	Black			
20	8 (10.0)	H10.00/12	2212.0	Ivory			
10	6 (16.0)	H16.00/12	2214.0	Green			
AB1-D DIN Standard					AB1-D	2884.0	1
50	20 (.50)	H0.50/6	2864.0	White			
100	20 (.75)	H0.75/8	2867.0	Gray			
100	18 (1.0)	H1.00/8	2871.0	Red			
100	16 (1.5)	H1.50/8	2841.0	Black			
50	14 (2.5)	H2.50/8	2845.0	Blue			
AB2-D DIN Standard					AB2-D	2885.0	1
50	12 (4.00)	H4.00/10	2848.0	Gray			
20	10 (6.00)	H6.00/12	2851.0	Yellow			
20	8 (10.00)	H10.00/12	2853.0	Red			
10	6 (16.00)	H16.00/12	2855.0	Blue			

Ferrule and Wire Size by Crimper Type

Use this Selector Guide to determine ferrule and wire sizes which can be crimped. Refer to ordering pages 104-107 for additional selection and ordering information.

1. Determine the wire size(s) to be used.
2. Select the appropriate ferrule size(s).¹
3. Based on the ferrule size, choose the crimper type appropriate for use.
4. Select the crimper style best suited for your application.

		CRIMPER STYLES									
		UNIVERSAL FERRULE CRIMPER					PNEUMATIC FERRULE CRIMPER				WISE MOUNT FERRULE CRIMPER
		Crimper Type									
Wire Size AWG	Ferrule Size mm ²	E110.000	E110.005	E110.010	E110.015	E110.020	ACT2.5P ²	ACT10-P	ACT2.5TP ²	ACT10T-P	GECF
26	.14	■									
24	.25	■				■		■			
22	.34	■				■		■			
20	.50	■				■		■			
20	.75	■				■		■			
18	1.00	■				■		■			
16	1.50	■				■		■			
14	2.50	■	■			■		■			
12	4.00						X		X		
10	6.00						X		X		
8	10.00		■	■			X		X		
6	16.00			■							
4	25.00				X						
2	35.00				X						
1	50.00					X					
2/0	70.00										X
3/0	95.00										X
4/0	120.00										X
250MCM	150.00										X

Dual Wire Ferrules

- E110.000 crimper covers 2x20 to 2x12 AWG dual wire ferrules
- E110.010 crimper covers 2x10 to 2x8 AWG dual wire ferrules
- E110.015 crimper covers 2x6 AWG dual wire ferrules

Key:

- = Multi-Cavity Range
- X = Individual Cavity

¹ To insure efficient ferrule crimping, always select the smallest ferrule diameter that fits the wire.
² Insulated ferrule/wire size range is shown, uninsulated ferrule range is 16-14 AWG (1.50 - 2.5mm2).