

Features

- Totally self-contained miniature sensors
- 10 to 30V dc operation
- Visible red or infrared sensing beam, depending on model
- 10 mm (0.4") or 20 mm (0.8") convergent point, depending on model
- NPN (sinking) or PNP (sourcing) output, and dark or light operate, depending on model
- 3-wire hookup; output load capacity to 50 mA
- Choice of integral cable or pigtail quick-disconnect connector



Models

Visible Red Beam Models	Infrared Beam Models	Range*	Cable†	Supply Voltage	Output Type		
VS1AN5CV10	VS1AN5C10	10 mm (0.4") ±5 mm	2 m (6.5') 3-wire integral cable	10 to 30V dc	NPN/LO		
VS1RN5CV10	VS1RN5C10				NPN/DO		
VS1AP5CV10	VS1AP5C10				PNP/LO		
VS1RP5CV10	VS1RP5C10				PNP/DO		
VS1AN5CV20	VS1AN5C20	20 mm (0.8") ±10 mm			2 m (6.5') 3-wire integral cable	10 to 30V dc	NPN/LO
VS1RN5CV20	VS1RN5C20						NPN/DO
VS1AP5CV20	VS1AP5C20						PNP/LO
VS1RP5CV20	VS1RP5C20						PNP/DO

* Range based on 90% white reflectance test card.

† Only standard 2 m (6.5') cable models are listed above. For other cable/connector options:

- 9 m cables: add suffix "W/30" to the model number (e.g., VS1AN5CV10 W/30).
- 150 mm (6") pigtail with threaded 3-pin Pico-style QD: add suffix "Q" to the model number (e.g., VS1AN5CV10Q). A model with a QD connector requires a mating cable; see page 4.



WARNING . . . Not To Be Used for Personnel Protection

Never use these products as sensing devices for personnel protection. Doing so could lead to serious injury or death.

These sensors do NOT include the self-checking redundant circuitry necessary to allow their use in personnel safety applications. A sensor failure or malfunction can cause either an energized or de-energized sensor output condition. Consult your current Banner Safety Products catalog for safety products which meet OSHA, ANSI and IEC standards for personnel protection.

VS1 Series

Overview

VS1 Series miniature self-contained sensors are designed for precision sensing in small areas previously accessible only to remote or fiber optic models. Typical applications include mounting inside vibrating feeders and electronic component handling equipment, where larger sensors will not fit.

Installation Notes

Included with each sensor is a hardware packet containing two stainless steel M2 x 0.4 x 16 mm Phillips pan-head machine screws, flat washers, lock washers, and hex nuts. To mount the sensor, use the supplied flat washer against the front surface of the sensor housing, between it and the screw head. If mounting to one of the optional brackets, place the lock washer against the back of the bracket, followed by the nut. If mounting directly to a threaded hole, place the lock washer between the screw head and the flat washer (see Figure 1).

For best results, mount the VS1 where it is protected from moisture, high humidity and dirt.

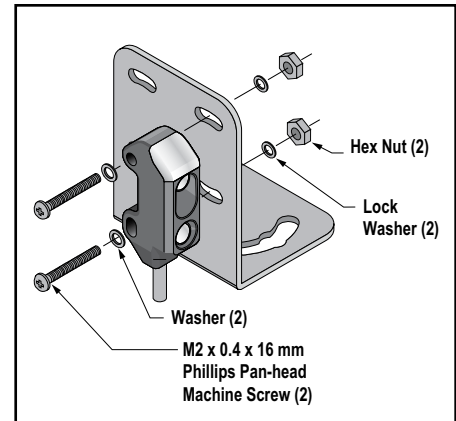


Figure 1. Sensor mounting

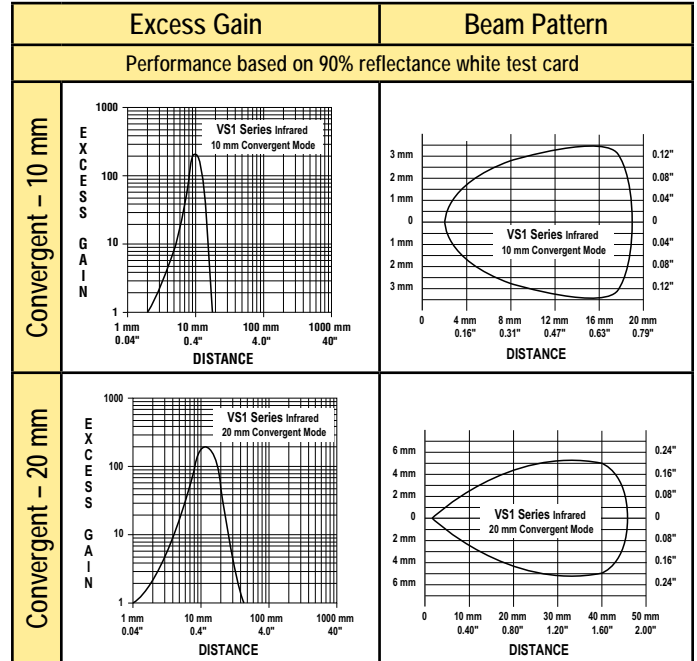
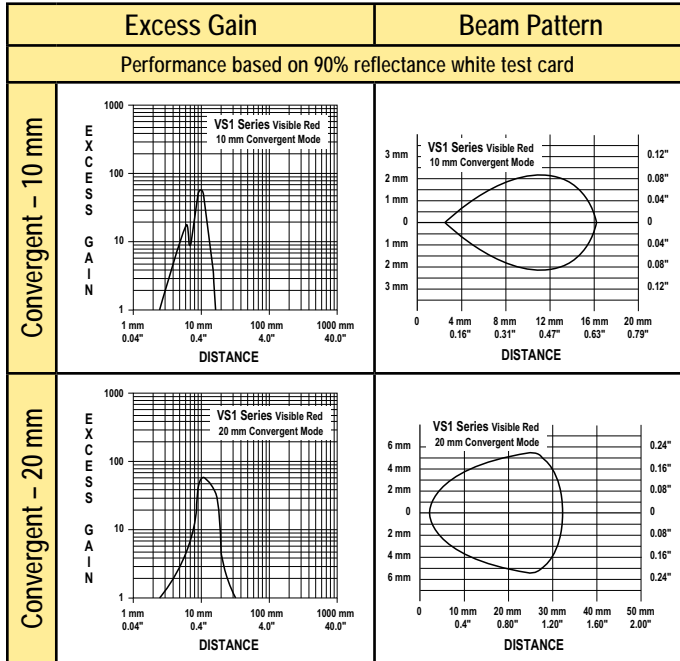
Specifications

Supply Voltage and Current	10 to 30V dc (10% maximum ripple) at less than 25 mA (exclusive of load)
Supply Protection Circuitry	Protected against reverse polarity and transient voltages
Output Configuration	SPST solid-state switch NPN (current sinking) or PNP (current sourcing), depending on model Light operate (N.O.) or dark operate (N.C.), depending on model
Output Rating	50 mA maximum OFF-state leakage current: < 1 microamp at 24V dc ON-state saturation voltage: < 0.25V at 10 mA dc; < 0.5V at 50 mA dc
Output Protection Circuitry	Protected against false pulse on power-up and continuous overload or short circuit of outputs Overload trip point 100 mA
Output Response Time	1 millisecond ON and OFF
Repeatability	250 microseconds
Indicators	Two LEDs: Green and Yellow Green ON steady: sensor power ON Yellow ON steady: light is sensed Green flashing: output overload Yellow flashing: marginal excess gain (1-1.5x) in light condition
Construction	Black ABS/polycarbonate housing with clear acrylic lens
Environmental Rating	IP54; NEMA 3
Connections	2 m (6.5') attached cable: three #28 ga stranded conductors with PE insulation; PVC outer cable jacket; or pigtail with 3-pin Pico-style quick-disconnect fitting. QD cables are ordered separately.
Operating Conditions	Temperature: -20° to +55° C (-4° to +131° F) Maximum Relative Humidity: 80% at 50° C (non-condensing)
Application Notes	M2 stainless steel mounting hardware included (see "Installation Notes"). Optional mounting brackets are available (page 4).
Certifications	CE

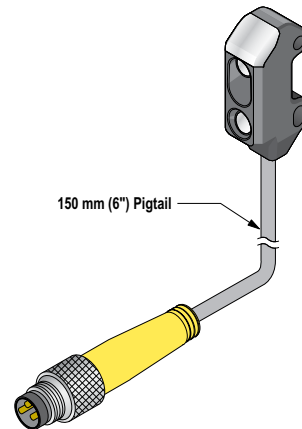
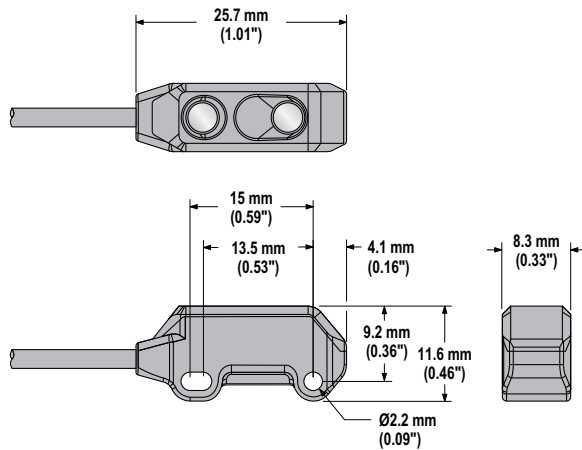
Performance Curves

Visible Red Beam Models

Infrared Beam Models

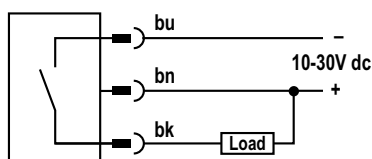


Dimensions

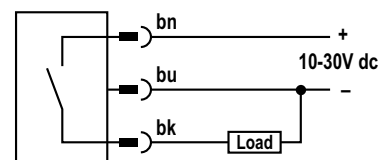


Hookups

NPN Outputs



PNP Outputs



QD hookups are shown. Cabled hookups are functionally identical.

VS1 Series

Quick-Disconnect (QD) Cables

Style	Model	Length	Dimensions	Pinout
3-pin Threaded Pico-style Straight	PKG3M-2 PKG3M-9	2 m (6.5') 9 m (30')		

Accessory Mounting Brackets

SMBVS1T	<ul style="list-style-type: none"> Tall bracket 300 series stainless steel 	SMBVS1S	<ul style="list-style-type: none"> Short bracket 300 series stainless steel



WARRANTY: Banner Engineering Corp. warrants its products to be free from defects for one year. Banner Engineering Corp. will repair or replace, free of charge, any product of its manufacture found to be defective at the time it is returned to the factory during the warranty period. This warranty does not cover damage or liability for the improper application of Banner products. This warranty is in lieu of any other warranty either expressed or implied.