

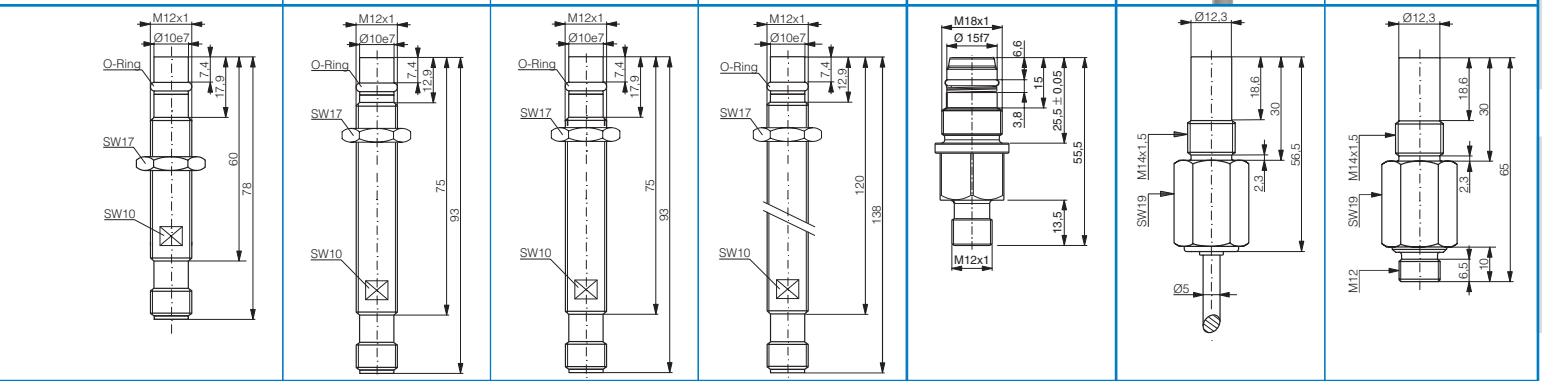
P12

Housing size	P12					
Operating distance mm	1.5	1.5	1.5	1.5	1.5	1.5
Max. operating pressure	7,250 psi	7,250 psi	7,250 psi	7,250 psi	7,250 psi	7,250 psi
Housing material	Stainless steel V2A	Stainless steel V2A	Stainless steel V2A	Stainless steel V2A	Stainless steel V2A	Stainless steel V2A
Sensing face	Ceramic ZrO ₂	Ceramic ZrO ₂	Ceramic ZrO ₂	Ceramic ZrO ₂	Ceramic ZrO ₂	Ceramic ZrO ₂
Connection ¹⁾	PUR cable type 3	PUR cable type 3	PUR cable type 3	Connector S12	Connector S12	Connector S12
Degree of protection	IP 68	IP 68	IP 68	IP 68	IP 68	IP 68
Mounting	Embeddable	Embeddable	Embeddable	Embeddable	Embeddable	Embeddable
Max. switching frequency	600 Hz	600 Hz	600 Hz	600 Hz	600 Hz	600 Hz
Technical data ²⁾	Table 6	Table 6	Table 6	Table 6	Table 6	Table 6
Wiring ³⁾	Diagram 1	Diagram 1	Diagram 1	Diagram 2	Diagram 2	Diagram 2
LED	---	---	---	---	---	---
Supply voltage range	10 ... 30 VDC	10 ... 30 VDC	10 ... 30 VDC	10 ... 30 VDC	10 ... 30 VDC	10 ... 30 VDC
Ambient temperature range	-25 ... +80 °C*	-25 ... +80 °C*	-25 ... +80 °C*	-25 ... +80 °C*	-25 ... +80 °C*	-25 ... +80 °C*
Output current	≤ 200 mA	≤ 200 mA	≤ 200 mA	≤ 200 mA	≤ 200 mA	≤ 200 mA
¹⁾ Standard cable length 2 m. Non-standard cable lengths and types on request. ²⁾ see page 76 ³⁾ see page 77 ⁴⁾ see page 146						
	Dimensions: 					
Part references: (bold): preferred types						
NPN N.O.	DW-AD-501-P12-639	DW-AD-501-P12-625	DW-AD-501-P12-627	DW-AS-501-P12-624	DW-AS-501-P12-630	DW-AS-501-P12
NPN N.C.						
PNP N.O.	DW-AD-503-P12-639	DW-AD-503-P12-625	DW-AD-503-P12-627	DW-AS-503-P12-624	DW-AS-503-P12-630	DW-AS-503-P12
PNP N.C.						DW-AS-504-P12
NAMUR						
AC/DC 2-wire N.O.						
AC/DC 2-wire N.C.						
Compatible connectors ⁴⁾				G ... N	G ... N	G...N(N.O.); K...N(N.C.)

* -13 ... +176 °F

SERIES P

P12				P18	P20	
1.5	1.5	1.5	1.5	1.5	3	3
7,250 psi	7,250 psi	7,250 psi	7,250 psi	7,250 psi	7,250 psi	7,250 psi
Stainless steel V2A	Stainless steel V2A	Stainless steel V2A	Stainless steel V2A	Stainless steel V2A	Stainless steel V4A	Stainless steel V4A
Ceramic ZrO ₂	Ceramic ZrO ₂	Ceramic ZrO ₂	Ceramic ZrO ₂	Ceramic ZrO ₂	Ceramic ZrO ₂	Ceramic ZrO ₂
Connector S12	Connector S12	Connector S12	Connector S12	Connector S12	PUR cable type 11	Connector S12
IP 68	IP 68	IP 68	IP 68	IP 68	IP 68	IP 68
Embeddable	Embeddable	Embeddable	Embeddable	Embeddable	Embeddable	Embeddable
600 Hz	600 Hz	600 Hz	600 Hz	800 Hz	500 Hz	500 Hz
Table 6	Table 6	Table 6	Table 6	Table 6	Table 6	Table 6
Diagram 2	Diagram 2	Diagram 2	Diagram 2	Diagram 2	Diagram 1	Diagram 2
---	---	---	---	---	---	---
10 ... 30 VDC	10 ... 30 VDC	10 ... 30 VDC	10 ... 30 VDC	10 ... 30 VDC	10 ... 30 VDC	10 ... 30 VDC
-25 ... +80 °C*	-25 ... +80 °C*	-25 ... +80 °C*	-25 ... +80 °C*	-25 ... +80 °C*	-25 ... +80 °C*	-25 ... +80 °C*
≤ 200 mA	≤ 200 mA	≤ 200 mA	≤ 200 mA	≤ 200 mA	≤ 200 mA	≤ 200 mA



DW-AS-501-P12-627	DW-AS-501-P12-621	DW-AS-501-P12-635	DW-AS-501-P12-622	DW-AS-501-P18	DW-AD-501-P20	DW-AS-501-P20
DW-AS-503-P12-627	DW-AS-503-P12-621	DW-AS-503-P12-635	DW-AS-503-P12-622	DW-AS-503-P18	DW-AD-503-P20	DW-AS-503-P20
						DW-AS-504-P20
G ... N	G ... N	G ... N	G ... N	G ... N		G...N (N.O.); K...N (N.C.)

* -13 ... +176 °F

For all these products, you will find detailed data sheets, application notes, dimensional drawings, cross-reference lists, part references, new items, special executions, extensive additional technical information, specifications concerning quality, safety and standards, as well as the addresses of our agents, and much more besides, on our Internet website at www.contrinex.com. The website contents are constantly up-dated and extended.