

Sensor mounting clamps

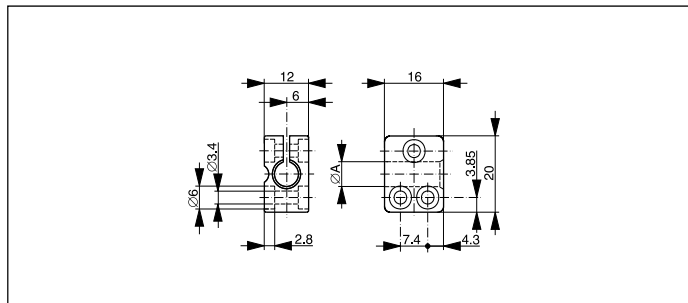


Features

- For cylindrical sensors from \varnothing 3 mm to M30
- Simple installation, reduced labor, reduced downtimes
- One-piece construction
- The clamps remain in place even when sensors are exchanged. Loosen screw, exchange sensor, tighten screw - finished!
- Some types feature a limit stop. This allows sensors to be exchanged without the need for readjustment
- Oblong holes permit clamp adjustment

CONTRINEX

Ø3, Ø4, Ø5, Ø6.5, Ø8



Technical data

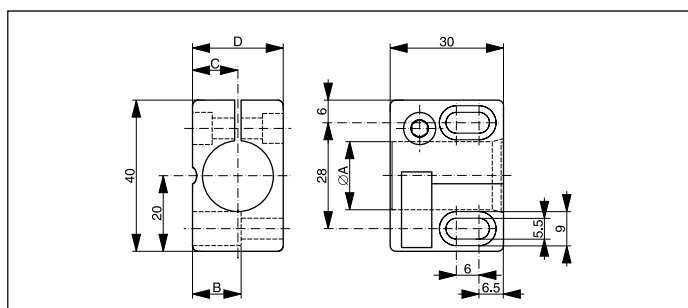
Ref.	Type	A
ASU-0001-030	without limit stop	Ø 3 mm
ASU-0001-040	without limit stop	Ø 4 mm
ASU-0001-050	without limit stop	Ø 5 mm
ASU-0001-065	without limit stop	Ø 6.5 mm
ASU-0001-080	without limit stop	Ø 8 mm
ASU-0002-080	with limit stop	Ø 8 mm

Material: PA 6 black

Screw: DIN 912; M3 zinc-plated

Nut: DIN 934; M3 zinc-plated

Ø12, Ø18



Technical data

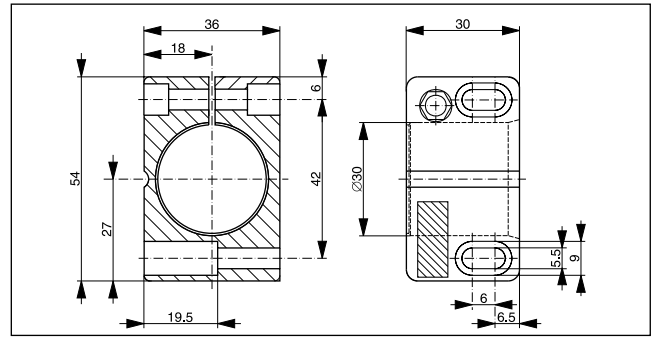
Ref.	Type	A	B	C	D
ASU-0001-120	without limit stop	Ø 12 mm	9.75 mm	9 mm	18 mm
ASU-0002-120	with limit stop	Ø 12 mm	9.75 mm	9 mm	18 mm
ASU-0001-180	without limit stop	Ø 18 mm	12.85 mm	12 mm	24 mm
ASU-0002-180	with limit stop	Ø 18 mm	12.85 mm	12 mm	24 mm

Material: PA 6 GK (Ø 18 mm); PA 6 (Ø 12 mm) black

Screw: DIN 912; M5 zinc-plated

Nut: DIN 934; M5 zinc-plated

Ø30



Technical data

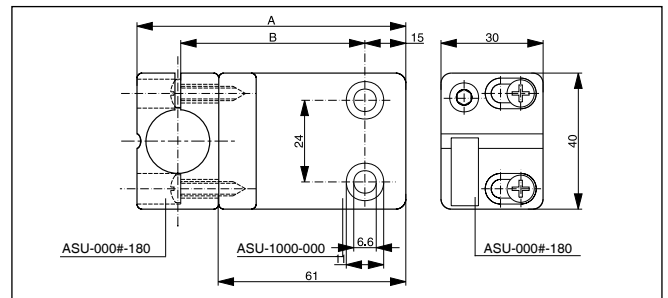
Ref.	Type	
ASU-0001-300	without limit stop	Ø 30 mm
ASU-0002-300	with limit stop	Ø 30 mm

Material: PA 6 GK black

Screw: DIN 912; M5 x 25 zinc-plated

Nut: DIN 934; M5 zinc-plated

Bases for Ø12, Ø18

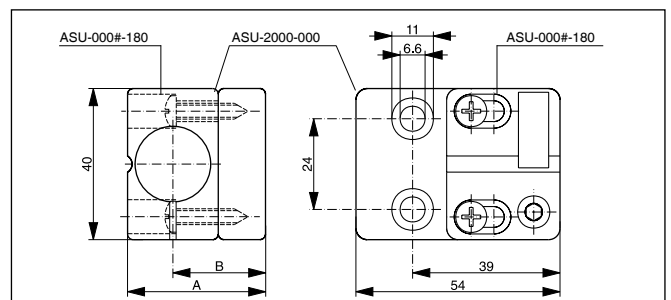


Technical data

Ref.	Type	A with Ø12 / Ø18	B with Ø12 / Ø18
ASU-1000-000	horizontal	79 mm / 85 mm	55 mm / 58 mm

Material: PA 6 black

Screws: DIN 7981; Ø 4.2 zinc-plated



Technical data

Ref.	Type	A with Ø12 / Ø18	B with Ø12 / Ø18
ASU-2000-000	vertical	30,5 mm / 36,5 mm	21,5 mm / 24,5 mm

Material: PA 6 black

Screws: DIN 7981; Ø 4.2 zinc-plated

Europe

Austria Belgium Czech Republic Denmark
Finland France Germany Great Britain
Greece Hungary Ireland Italy Luxembourg
Netherlands Norway Poland Portugal
Slovakia Slovenia Spain Sweden
Switzerland Turkey

Africa

South Africa

The Americas

Argentina Brazil Canada Chile Colombia
Mexico United States Venezuela

Asia

China India Indonesia Japan Korea
Malaysia Pakistan Philippines Singapore
Taiwan Thailand Vietnam

Australasia

Australia New Zealand

Middle East

Egypt Iran Israel Syria



Contrinex

Contrinex has been manufacturing sensors for industrial use since 1972, and today employs over 300 people.

Products

The strength of Contrinex lies in its wide range of highly innovative sensors with special characteristics:

- very small sizes
- very long operating distances
- resistance to extreme environmental conditions (extreme pressure, temperatures etc.)
- all-metal housings

Quality

The high quality of Contrinex products is guaranteed by a well-organized ISO 9001:2000 certified management system.

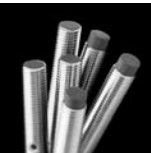
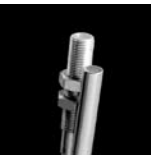
Customer service

Thanks to a worldwide presence, Contrinex ensures easy contact between customers and the manufacturer.

Catalog

Please consult our catalog for clear and precise information concerning Contrinex's wide range of products:

- [Inductive, Photoelectric and Ultrasonic Proximity Switches](#)



These devices **must not be used** in applications where the **safety of people** is dependent on their functioning. Terms of delivery and rights to change design reserved.

Your sales agent:



[Contrinex Inc.](#)