

SDS10-5 SERIES INSTRUCTION MANUAL

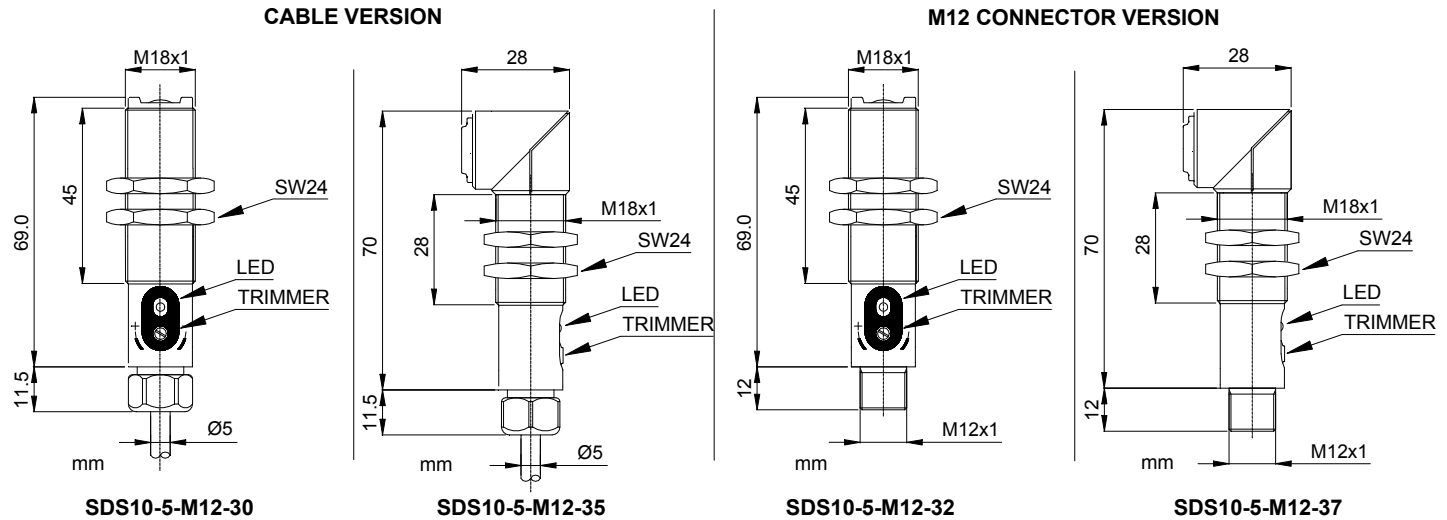
Photoelectric sensor
with background suppression 120mm adj.

	OPTIC	OUTPUT	CONNECTION
SDS10-5-M12-30	straight	PNP	standard cable
SDS10-5-M12-32	straight	PNP	M12 connector
SDS10-5-M12-35	90°	PNP	standard cable
SDS10-5-M12-37	90°	PNP	M12 connector

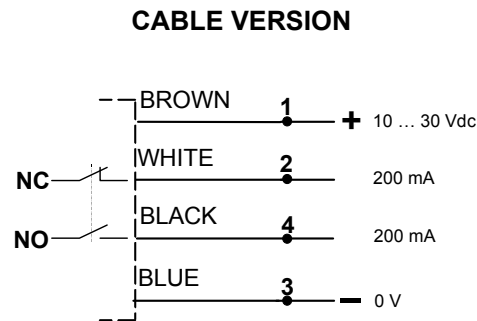
TECHNICAL DATA

Power supply:	10 ... 30 Vdc reverse polarity protected
Ripple:	3 Vpp max.
Current consumption (output current excluded):	30 mA max.
Output:	NC and NO, PNP (short circuit protection)
Output current:	200 mA max.
Output saturation voltage:	2.4 V max.
Response time:	1 ms max.
Switching frequency:	600 Hz max.
Indicators:	OUTPUT LED (YELLOW)
Setting:	trimmer, 18 turn
Operating temperature:	-20 ... 60°C
Storage temperature:	-20 ... 80°C
Electrical shock protection:	Class 2
Operating distance:	40 ... 120 mm
Emission type:	RED (660 nm)
Hysteresis:	8% max.
Humidity:	35 ... 85% rH non condensing
Ambient light rejection:	according to EN 60947-5-2
Vibration:	0.5 mm amplitude, 10 ... 55 Hz frequency, for every axis (EN60068-2-6)
Shock resistance:	11 ms (approx. 30 G) 6 shock for every axis (EN60068-2-27)
LIGHT/DARK selection:	LIGHT mode
Housing:	Brass, nichel plated
Protection class:	IP67
Connections:	4 wires 3 m cable Ø 5 mm / M12 4 pole connector
Weight:	100 g. max.

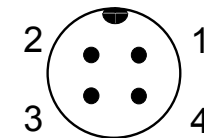
DIMENSIONS



CONNECTIONS



M12 CONNECTOR VERSION



WARRANTY

DATALOGIC AUTOMATION warrants its products to be free from defects. DATALOGIC AUTOMATION will repair or replace, free of charge, any product found to be defective during the warranty period of 36 months from the manufacturing date. This warranty does not cover damage or liability deriving from the improper application of DATALOGIC AUTOMATION products.

DATALOGIC AUTOMATION -



DATALOGIC AUTOMATION cares for the environment: 100% recycled paper. DATALOGIC AUTOMATION reserves the right to make modifications and improvements without prior notification.

Datalogic and the Datalogic logo are registered trademarks of Datalogic S.p.A. in many countries, including the U.S.A. and the E.U.

826000453 Rev.D

© Copyright Datalogic 2003-2009