



Surface Mount

With Wire Leads 1038

Overview The 1038 surface mount contact is designed for window and door applications where a surface mount contact is preferred. Thanks to its unique design, the 1038 is fast and easy to install. The switch and magnet are incorporated into the cover housing. Simply mount the base plate using tape or mounting screws (provided), connect the wires and slide the cover housing until it snaps in place. In the unlikely event that the switch needs replacing, just push the cover housing down and slide it off. This reduces replacement time and eliminates any damage to the mounting surface which is typical with traditional surface mount contacts. The 1038 features an attractive, low profile design and a 1" operating gap.

Architectural and Engineering Specifications The contact contains a hermetically sealed magnetic reed switch. The reed switch is potted in the contact housing with a polyurethane based compound. The contact and magnet can be mounted with either 3M adhesive tape or #4 by 1/2" screws, both provided. Contact and magnet are nominal 2.26" (5.74cm) L x .38" (0.95cm) W x .40 (1.00cm) D and mount on 1.63" (4.13cm) centers. Colors are specified as white and mahogany brown.

Installation Instructions Clean mounting surfaces with an alcohol pad. Align and attach mounting plates for the switch and magnet using tape or screws (included). Wire may be routed on either end or through the top of the switch housing cutouts. Strip loop wire and connect the leads to the alarm loop. Place switch and magnet covers over the center of the mounting plates and slide either left or right until the cover snaps in place.



Standard Features

- *Simple to install*
- *Attractive low-profile design*
- *1" gap distance*

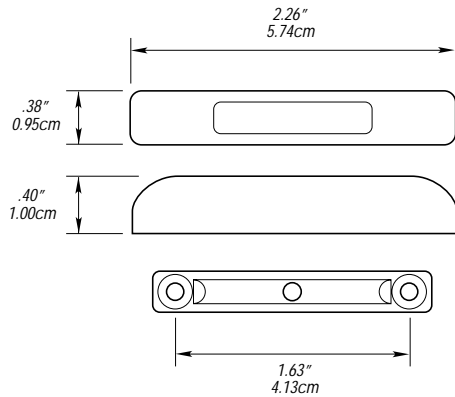
Surface Mount

With Wire Leads

1038

Dimensions

Switch & Magnet



Specifications

Form A

Voltage	100V AC/DC max
Current	0.5A max
Power	7.5W max

Ordering Information

Model	Loop Type	Electrical Configuration	Gap Distance	Colors
1038	Closed	N.O.	1"	White, mahogany brown



GE Interlogix