



Screw Mount With Leads

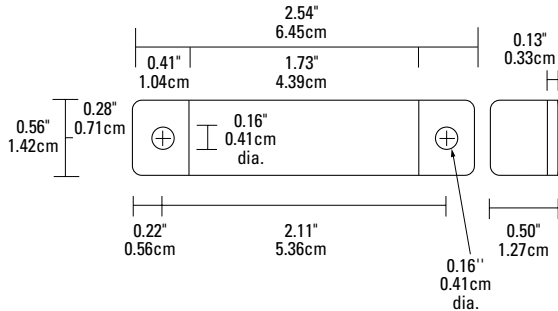
1082 Series

Applications

- Convenient surface mounting
- Mounting screws included

General Specifications

Enclosure	ABS Plastic
Temperature Range	-40°F to 150°F (-40°C to 65°C)
Environmental	Hermetically Sealed Reed Switch Encapsulated in Polyurethane
NEMA Rating	1, 2, 3, 4, 4x, 5, 6, 12
Protection Class	IP 67
Response Time	1 msec max.
Life Cycles	100,000 Under Full Load, 10,000,000 Under Dry Circuit
Lead/O.D.	#22 wire / 0.05" (0.15cm)
Color Choices	Natural(N), Mahogany(M), Grey(G)
UL Listed	All Models



Order Information

Electrical Specifications

Part Number	Contact ¹ Configuration	Load Rating (AC/DC)	Switching Voltage (AC/DC)	Switching Current (AC/DC)	Contact Resistance	Sense Range ² Nominal	Lead Length
1082-G, N	N.O.	7.5W/VA	100V	0.5A	0.2 Ohms	1.0" (2.5cm)	1'
1084-M	SPDT	3W/VA	30V	0.25A	0.2 Ohms	1.0" (2.5cm)	1'

Warning— Each electrical rating is an individual maximum and cannot be exceeded!

¹ Configuration with actuator away from the switch

² Proximity of ferrous materials usually reduces sense range — typically by 50%. The shape and type of material cause a wide diversity of effects.

Testing is required to determine actual sense range for specific applications. As measured on a nonferrous surface.

Gap distances are nominal make distance ± 20%. Gap Specifications are for switch to make. Break distance is approximately 1.1 to 1.5 times make.