



2800T SERIES MAGNETIC CONTACTS

High Security Explosion-Proof

Model numbers:
2804T, 2807T, 2808T



- **Balanced, triple-biased, SPDT switches make defeat with external magnet virtually impossible**
- **Switch features tamper switches actuated by removal of face plate or introduction of external magnet**
- **Optional pry tamper feature alarms if attempt is made to remove switch from mounting surface**

The **Sentrol 2800T Series** magnetic contacts are designed for High Security hazardous environments. The rugged die-cast aluminum housing with conduit fittings meets UL requirements for hazardous locations. The contacts are balanced, triple-biased SPDT switches that make defeat with external magnets virtually impossible. The contacts feature tamper circuits that are actuated by removal of the face plate or by introduction of an external magnet. The terminals are located inside the housing providing additional protection from tampering or accidental shorting. Optional features include pry tamper loop for alarm in case of contact removal, current limiting device for circuit protection, and a housing approved for Class1 Group B and Class III environments.

Sentrol 2800T Series

Architects and Engineering Specifications

Switch and magnet housings shall be die-cast aluminum. Switch housing dimensions shall be nominally 5.75" (14.61 cm) L x 2.0" (5.08 cm) H x 1.5" (3.81 cm) D.

Mounting holes for #10 screws shall be on 5.25" (13.34 cm) x 0.75" (1.91 cm) centers. Switch housing lid shall be attached on 5.25" (13.34 cm) x 1.5" (3.81 cm) spacing with #10-24 screws. Fitting with 0.50" threads shall be provided for direct connection to conduit. Magnet housing dimensions shall be nominally 5.75" (14.61 cm) L x 0.813" (2.06 cm) H x 1.5" (3.81 cm) D. Mounting holes for #10 screws shall be on 5.25" (13.34 cm) centers.

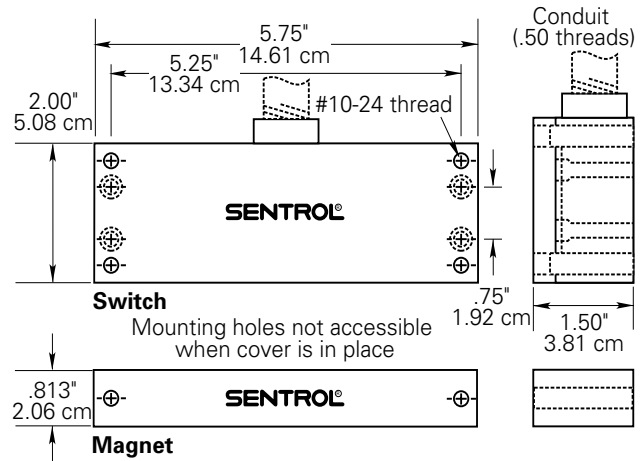
Switch shall comprise three biased reed contacts, wired in SPDT configuration, and include a plunger-type tamper actuated on removal of cover. Connection to switch shall be made by screw terminals.

2807T, 2808T

Switch shall include a magnetic tamper switch and an optional pry tamper switch. It shall be fastened to the mounting surface with a pry tamper plate mounted with 6" x 0.75" flathead screws on 2" centers. Model 2808T shall include a remote test function.

2804T

Switch shall include a magnetic tamper switch and optional resettable current limiting device. Switch shall also include a tamper resistant, two-piece magnet.



Specifications:

Form C (2804T, 2807T, 2808T)

Voltage	30 V AC/DC max.
Current	0.25 A max.
Power	3.0 W max.

Ordering Information

Model Number	Loop Type	Electrical Configuration	Gap Distance (Make)*	Lead Type
2804T	Open or Closed	SPDT	3/16" min., 5/8" max.	#6 screw terminal
2807T	Open or Closed	SPDT	3/16" min., 5/8" max.	#6 screw terminal
2808T	Open or Closed	SPDT	3/16" min., 5/8" max.	#6 screw terminal

NOTE:

* Gap distances are nominal make distance +/- 20%. Gap Specifications are for switch to make. Break distance is approximately 1.1 to 1.5 times make.

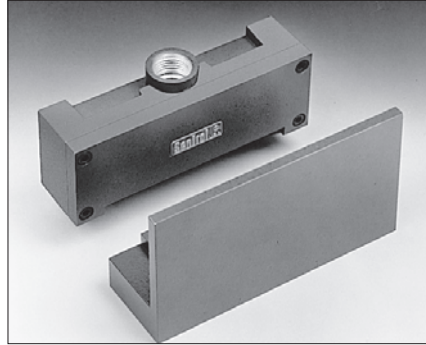


SECURITY & LIFE SAFETY GROUP

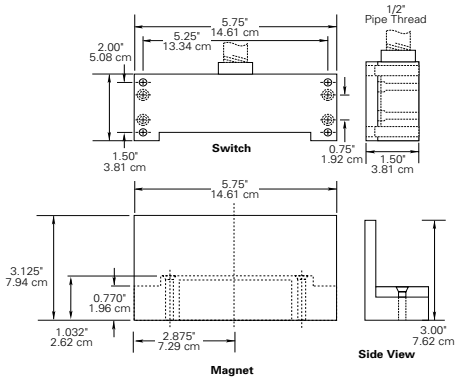
CADDX | ESL | GBC | ITI | SENTROL

2810T Series

Maximum Security With Terminals



- Magnet tamper interlock shields intervening magnetic flux
- Ultimate high security contact design
- Undefeated by prominent testing laboratories
- Triple-biased reeds make defeat with external magnets virtually impossible
- Magnetic field tamper
- Options include remote test, resettable current limiting device, custom modifications available



Not to scale

ORDERING INFORMATION	Gap Size	S.P.D.T.	Lead Type
Maximum Security Switch with Guarded Housing	3/16" to 5/8" 	2814T	#6 Screw Terminal
Maximum Security Switch with Guarded Housing and Internal Shield	1/8" to 1/2" 	2817T	#6 Screw Terminal

NOTE: Heavy-duty die-cast aluminum housing with brown textured paint
For Accessories, see page 6.43

General Specifications

Operating Specifications

Gap Distances

Ratings nominal and may vary $\pm 20\%$.
Ratings are distance for switch to "make."
Break distance approximately 1.1 to 1.5 times "make."

Wire Colors

S.P.D.T. Common = Black
Open loop = Red
Closed loop = White

Switch Configurations

Closed Loop	Open Loop	S.P.D.T.	D.P.D.T.
Switch closed when magnet is in close proximity	Switch open when magnet is in close proximity	Switch has common, open and closed side	Two switches each having common, open and closed sides

Environmental Specifications*

Temperature Range .. -40°F to 150°F
on regular gap models
..... -20°F to 150°F
on biased contacts


Shock 50 G's @ 11 ms

Impact withstands drop of 2" dia.
steel ball from 30"

Vibration 35 G's @ 50-2000Hz

***See specific product bulletins for specific model specifications.**

Electrical Specifications

UL Rating	Closed Loop	Open Loop	S.P.D.T.	D.P.D.T.
Switching Voltage (Max.) Switching Current (Max.) Watts (Max.) (Volts x Amps)	100 Volts .5 Amp 7.5 Watts	30 Volts .25 Amp 3 Watts	30 Volts .25 Amp 3 Watts	30 Volts .25 Amp 3 Watts
 ULC Specifications	All contacts: 30 VDC, 50 mA max.			

European Union Specification 48V AC/DC 0.5 Amps

W A R N I N G !

Each electrical rating is an individual maximum and cannot be exceeded!

MAGNETIC CONTACTS