



Surface Mount

With Screw Terminals

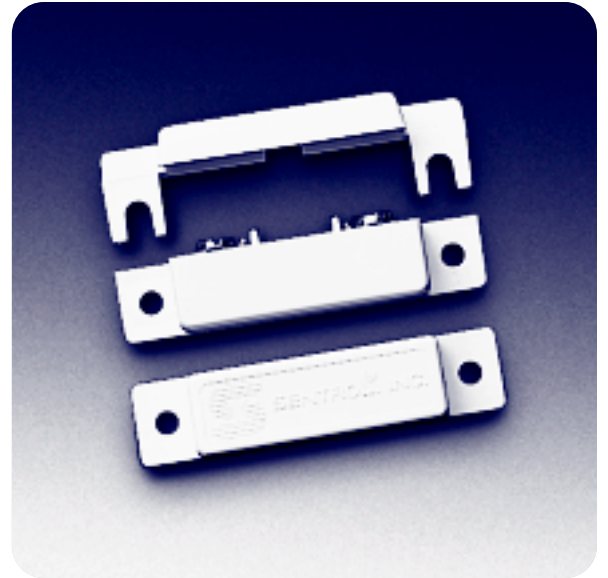
1085T

Overview

The 1085T is ideal for residential and commercial applications where terminal connections are preferred. The unit features positive clamping terminals with anti-rotation lugs and captured screws with combination heads. These features allow for easy, quick installations. The positive terminals do not require washers that can corrode or increase resistance. Wire will not back out from under the screw heads when the screws are tightened down. The captured screws cannot be accidentally removed and lost, and they incorporate combination heads that will accept both Phillips and flat-bladed screwdrivers. Combine this with seven available models including wide gap and SPDT, and this is one of the most popular contacts available in the industry today.

Architectural and Engineering Specifications

The contact and magnet are hermetically sealed reed switches nominally 2.5" (6.35cm) L x .50" (1.27cm) W x .56" (1.43cm) D. The connection to the contact is made through #6 screw terminals. Mounting holes are on 2.09" (5.33cm) centers. Color is specified as white, gray, or mahogany brown. Contact and magnet are specified as part number 1085T (or other part number, depending on gap requirements).



Standard Features

- Positive terminals with captured screws and combination heads for easy installation
- Cover, spacers, and mounting hardware included
- Seven models available
- Ideal for residential and commercial applications where terminal connections are preferred

Model numbers

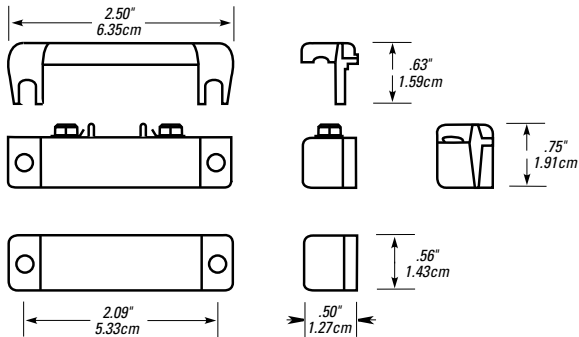
1082TW, 1084TW, 1085T, 1085TW, 1086T, 1087T, 1087TW, 1087TH

Surface Mount

With Screw Terminals

1085T

Dimensions



Specifications

Switching voltage

1082TW, 1085T, 1085TW 100V max.
1086T, 1084TW, 1087T, 1087TW, 1087TH 30V max.

Switching current

1082TW, 1085T, 1085TW 0.5A max.
1086T, 1084TW, 1087T, 1087TW, 1087TH 0.25A max.

Power

1082TW, 1085T, 1085TW 7.5W max.
1086T, 1084TW, 1087T, 1087TW, 1087TH 3.0W max.

Dimensions

2.5 L x .50 W x .56" D
 (6.35 x 1.27 x 1.43cm)

Form

1082TW, 1085T, 1085TW A
1086T B
1084TW, 1087T, 1087TW, 1087TH C



Ordering Information

Model	Loop Type	Electrical Configuration	Color Choices	Gap Distance (Make*)	Lead Type
1082TW	Closed	N/O	Mahogany brown	Up to 2"	#6 screw terminal
1084TW	Open or Closed	SPDT	White, gray, or mahogany brown	Up to 2"	#6 screw terminal
1085T	Closed	N/O	White, gray, or mahogany brown	Up to 3/4"	#6 screw terminal
1085TW	Closed	N/O	White or mahogany brown	Up to 1 1/2"	#6 screw terminal
1086T	Open	N/C	White	Up to 3/4"	#6 screw terminal
1087T	Open or Closed	SPDT	White, gray, or mahogany brown	Up to 3/4"	#6 screw terminal
1087TW	Open or Closed	SPDT	White or mahogany brown	Up to 1 1/2"	#6 screw terminal
1087TH	Biased for high security	SPDT	Natural	3/8" to 1 1/4" *(w/ 1080T magnet)	#6 screw terminal

* Gap distances are nominal make distance $\pm 20\%$. Gap specifications are for switch to make. Break distance is approximately 1.1 to 1.5 times make.



GE Interlogix