



SENTROL

1085 Series Surface Mount with Wire Leads

Magnetic Contacts

Gap distance	Closed loop	SPDT
5/8"	1085	1087
1 1/2"	1085W	
3/8"		1087D DPDT

Color	Natural	Mahogany brown	Grey
Quantity	10		



1085-N

100% TESTED



1085 Series Surface Mount with Wire Leads Magnetic Contacts

Installation Instructions

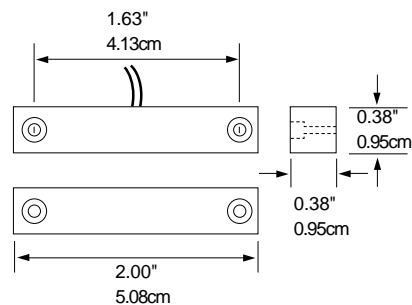
1085, 1087, 1085W, 1087W, 1087D

Select desired mounting positions for switch and magnet. For wide gap switches (1085W, 1087W) align labels on switch and magnet so labels read in the same direction (switches are polarity sensitive). Attach with screws provided.

Lead Colors

Black: Common
White: Closed Loop (N.O.)
Red: Open Loop (N.C.)

Magnet Part No. 1081 (included)



UL Specifications

**European Union Specifications: 48 VAC/DC Max., 0.5 Amp

Part Number	Loop Type	Electrical Configuration	Gap distance
1085	Closed	N.O.	5/8"
1085W	Closed	N.O.	1 1/2"
1087	Open or Closed	SPDT	5/8"
1087D	Open or Closed	DPDT	3/8"

****FORM A (1085, 1085W)**
Voltage: 100 VAC/DC Max
Current: 0.5 A Max
Power: 7.5 W

FORM C (1087)
Voltage: 30 V Max
Current: 0.25 A Max
Power: 3.0 W Max

ULC Specifications

All Contacts: 30 V DC, 50 ma max.

Gap Specifications:*
See UL Gap Specifications

interlogix
SECURITY & LIFE SAFETY GROUP

14090 Rev B 10/01