



## GE Magnetic Contacts

### 1085T Series

Surface Mount with Screw Terminals



<b>Gap Distance</b>	<b>Closed Loop</b>	<b>SPDT</b>
Regular 3/4"	1085T	1087T
Wide 1 1/2"	1085TW	1087TW
Extra Wide 2"		1084TW

<b>Color</b>	White, Mahogany Brown, Grey
<b>Quantity</b>	10

100% **TESTED**



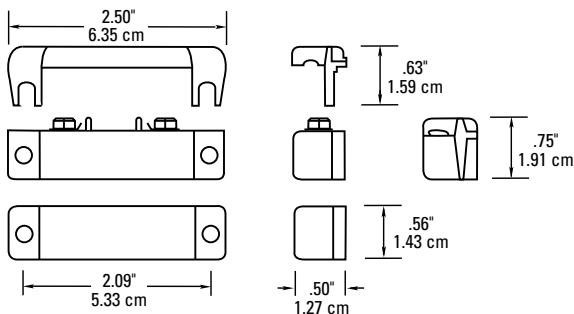
**1085T-N**

# 1085T Series

## Surface Mount with Screw Terminals

### Installation Instructions

- 1084TW, 1085T, 1085TW, 1087T, 1087TW** Select desired mounting positions for contact and magnet. On wide gap contacts (those with W suffix) align labels on contact and magnet so labels read in the same direction (switches are polarity sensitive). Attach with screws.
- General** If protective cover is to be used to shield screw terminals, allow space for "ears" of cover before tightening down mounting screws. Route connecting wires through holes provided in cover.



### UL Specifications

Part Number	Loop Type	Electrical Configuration	Gap Distance*
1084TW	Open or Closed	SPDT	2"
1085T	Closed	N.O.	3/4"
1085TW	Closed	N.O.	1 1/2"
1087T	Open or Closed	SPDT	3/4"
1087TW	Open or Closed	SPDT	1 1/2"

\* Gap Specifications are nominal and may vary  $\pm 20\%$ . Gap Specifications are for switch to make. Break distance is approximately 1.1 to 1.5 times make.

\*\* European Union Specifications: 48 V AC/DC max, 0.5 Amp

#### \*\* FORM A (1085T, 1085TW)

Voltage: 100 V AC/DC max

Current: 0.5 A max

Power: 7.5 W max

#### \*\* FORM C (1084TW, 1087T, 1087TW)

Voltage: 30 V AC/DC max

Current: 0.25 A max

Power: 3.0 W max

WARNING: Each electrical rating is an individual maximum and cannot be exceeded!

### C-UL Specifications

All Contacts: 30 VDC, 50 mA max

Gap Specifications:\*

See UL Gap Specifications

