



# 2200 Series Magnetic Contacts Installation Instructions

## Description

This installation instruction applies to the following models: 2202A, 2202AU, 2204A, 2204AD, 2204AU, 2205A, 2205AU, 2207A, 2207AD, 2207AU, and 2207AH.

## Mounting

To mount models **2202A, 2202AU, 2204A, 2204AD, 2204AU, 2205A, 2205AU, 2207A, 2207AD, and 2207AU**, do the following:

1. Secure the switch to the floor with appropriate fasteners (wood or masonry). Be sure to position the switch where it will not interfere with traffic.
2. Attach the magnet on the door so that it lines up with the switch when the door is closed. There is a 2-inch (1-inch for AD models) make distance between the switch and magnet to allow for door operational tolerance.

To mount model **2207AH**, do the following:

1. Secure the switch to the floor with appropriate fasteners (wood or masonry). Be sure to position the switch where it will not interfere with traffic.
2. Attach an ohmmeter to the common and closed loop leads. The meter should read INFINITY with the magnet away from the switch.
3. Align the switch and magnet so the labels read in the same direction. **Contact is polarity-sensitive.**
4. Bring the magnet toward the switch until the meter again reads INFINITY. Mark this point, and position the magnet between these two marks.
5. Attach the magnet directly to the door or with an L-bracket (GE Part Number 1912). See *Ordering information* for the model's make distance between the switch and magnet to allow for door operational tolerance.

Figure 1. A and AD models

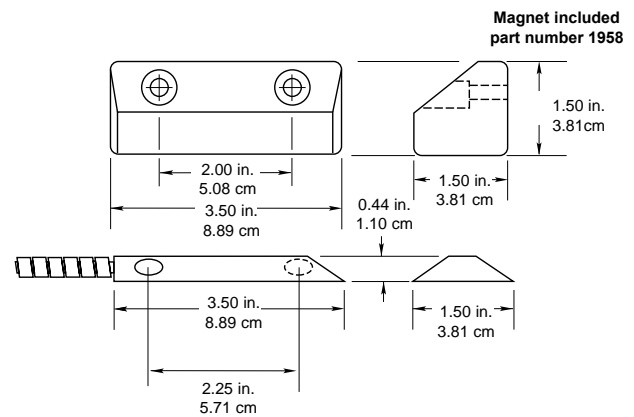


Figure 2. AU models

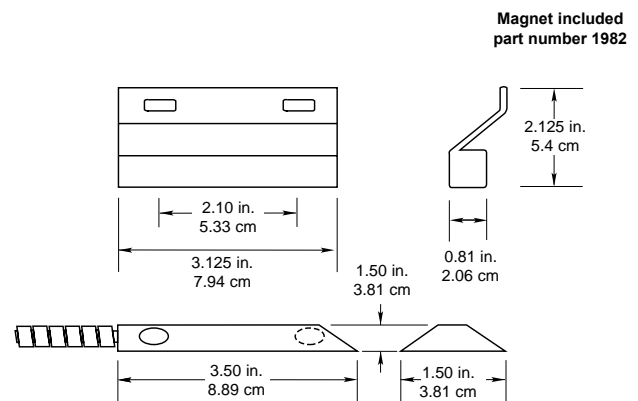
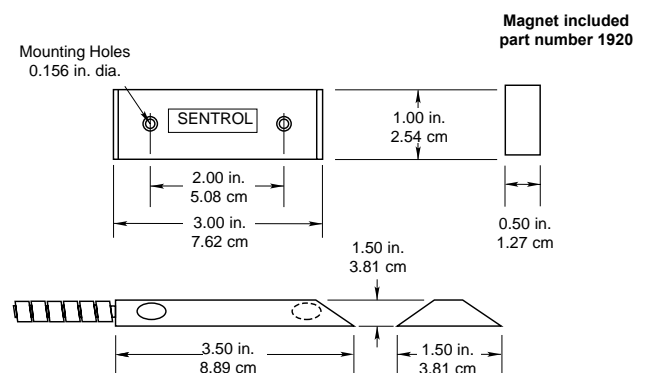


Figure 3. 2207AH model



## Ordering information

Part number	Loop type	Electrical config.	Lead type	Finish	Nominal gap (make)*	Magnet
2202A-L	Closed	NO	18 in. (45.7 cm) stainless armored cable	Aluminum 360	Up to 3 in. (7.6 cm)	1958
2202AU-L	Closed	NO	18 in. (45.7 cm) stainless armored cable	Aluminum 360	Up to 3 in. (7.6 cm)	1982
2204A-L	Open or closed	SPDT	18 in. (45.7 cm) stainless armored cable	Aluminum 360	Up to 3 in. (7.6 cm)	1958
2204AD-L	Open or closed	DPDT	18 in. (45.7 cm) stainless armored cable	Aluminum 360	Up to 1.5 in. (3.8 cm)	1958
2204AU-L	Open or closed	SPDT	18 in. (45.7 cm) stainless armored cable	Aluminum 360	Up to 3 in. (7.6 cm)	1982
2205A-L	Closed	NO	36 in. (91.4 cm) stainless armored cable	Anodized	Up to 3 in. (7.6 cm)	1958
2205AU-L	Closed	NO	36 in. (91.4 cm) stainless armored cable	Anodized	Up to 3 in. (7.6 cm)	1982
2207A-L	Open or closed	SPDT	36 in. (91.4 cm) stainless armored cable	Anodized	Up to 3 in. (7.6 cm)	1958
2207AD-L	Open or closed	DPDT	36 in. (91.4 cm) stainless armored cable	Anodized	Up to 1.5 in. (3.8 cm)	1958
2207AU-L	Open or closed	SPDT	36 in. (91.4 cm) stainless armored cable	Anodized	Up to 3 in. (7.6 cm)	1982
2207AH-L	Open or closed	SPDT	36 in. (91.4 cm) stainless armored cable	Anodized	0.75 in. (1.9 cm) min., 2.5 in. (6.3 cm) max.	1920
<b>Accessories</b>						
1949-L	Floor-mount bracket for replacing ADEMCO and EPC switches					
1912-L	Aluminum L-bracket for 1920 magnet					

\* Gap specifications are nominal and may vary  $\pm$  20%. Gap specifications are for contact to make. Break distance approximately 1.1 to 1.5 times make.

## Specifications

<b>Form A:**</b>	<b>2202A, 2202AU, 2205A, 2205AU</b>
Voltage:	100 V AC/DC max.
Current:	0.5 A max.
Power:	7.5 W max.
<b>Form C:</b>	<b>2204A, 2204AD, 2204AU, 2207A, 2207AD, 2207AU, 2207AH</b>
Voltage:	30 VAC/VDC max.
Current:	0.25 A max.
Power:	3.0 W max.
<b>Listings:</b>	
C-UL-US	2202A, 2202AU, 2204A, 2204AU, 2205A, 2205AU, 2207A, 2207AU, 2207AH

\*\* European Union specifications: 48 VAC/VDC max., 0.5 A

## Lead functions

**Form C Models:** 2204A, 2204AD, 2204AU, 2207A, 2207AD, 2207AU, 2207AH

Lead color	Function
Black	Common
White	Closed loop (NO)
Red	Open loop (NC)



**CAUTION**

**Each electrical rating is an individual maximum and cannot be exceeded!**