



# Sentrol 2300 Series Panel Door Magnetic Contact Installation Instructions

## Description

The 2300 Series is designed for use with sectional/panel overhead doors that use metal roller tracks. The contact fits roller tracks up to 3 inches wide.

## Selecting a Location

Use the following guidelines to select a location for the contact:

- Mount the switch high enough so the cable is off the floor. If other track-mounted devices interfere, mount the switch under them.
- Locate the magnet away from handles and latches to prevent it from being used as a foothold or a handle to close the door.

## Installing the Contact

1. Run the security system wiring to the switch location.
2. Place the switch over the door track. See Figure 1.
3. Slide the beveled edge of the L-bracket into the slot of the switch until it snaps firmly in place. Tighten the screw on the switch down firmly.

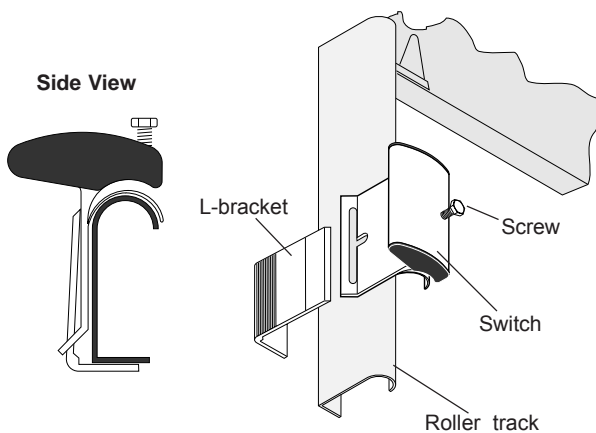


Figure 1 - Mounting the Switch

4. Align the magnet with the switch and attach it to the door with the two screws provided as follows:
  - The magnet must be 1/4 to 1/2 inch away from the switch. See Figure 3.
  - The magnet can be attached at two different elevations from the door. See Figure 3.

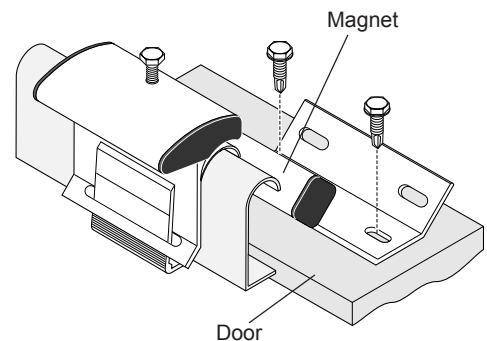


Figure 2 - Attaching Magnet to Door

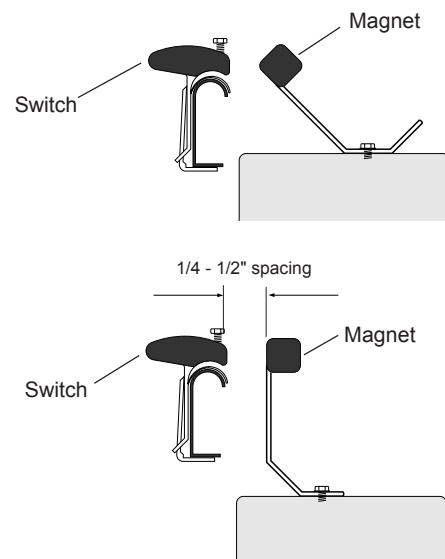


Figure 3 - Magnet Mounting Options

5. Connect the switch wires to the security system wiring and verify the switch works properly.

## Specifications

Gap (make) distance  $\pm 20\%$ .....3" (7.5 cm) max.  
Break distance.....approx. 1.1 to 1.5 times make distance  
Lead type.....2' (0.61 m) stainless steel armored cable  
Magnet/switch housing.....extruded aluminum  
Operating temperature.....-40° to 150°F (-40° to 65°C)  
Switch dimensions  
  Length.....3.25" (8.26 cm)  
  Depth..... 3.75" (9.53 cm)  
  Width.....2.73" (6.93 cm)  
Magnet dimensions  
  Length.....3.51" (8.92 cm)  
  Depth.....1.70" (4.32 cm)  
  Width.....3.10" (7.87 cm)  
Listing.....UL 634 pending

## Electrical Specifications/Ordering

Model Number	Electrical Configuration	Loop Type	Voltage	Current	Power
2325A	NO	Closed	100 VAC/DC max.	0.5A max.	7.5 W max.
2327A	SPDT	Open or Closed	30 VAC/DC max.	0.25A max.	3 W max.



SENTROL