



2315 Series Panel Door Magnetic Contact

Models: 2315A, 2317A

Installation Instructions

Mounting

Caution: Locate the magnet away from manual handles and latches to prevent it from being used as a foothold or handle to close the door.

1. Slide the slot of the switch over the beveled-edge of the L-bracket and snap it tightly into place as shown in Figure 1. Screw down firmly.

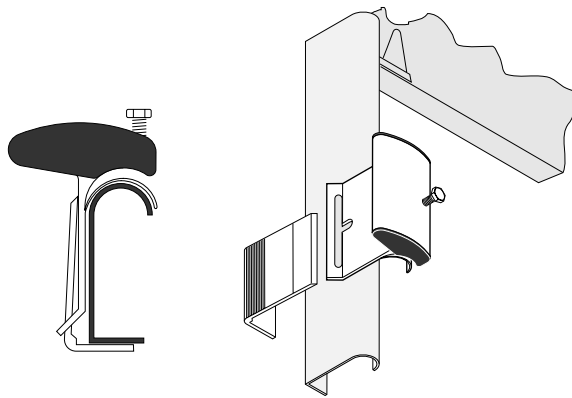


Figure 1

2. Align the magnet with the switch and use screws to attach it to the door as shown in Figure 2. The switch and magnet must be aligned within 1/2 inch of each other to prevent false alarms.

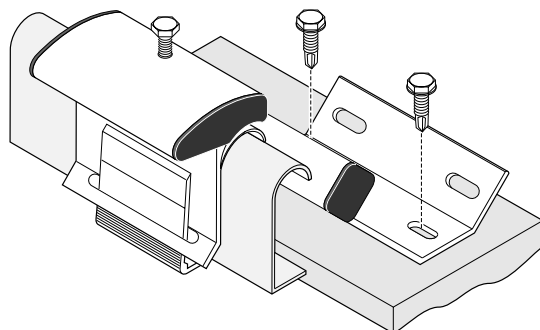


Figure 2

Optional: Use the existing roller-track bolts to mount the switch without using the L-Bracket as shown in Figure 3.

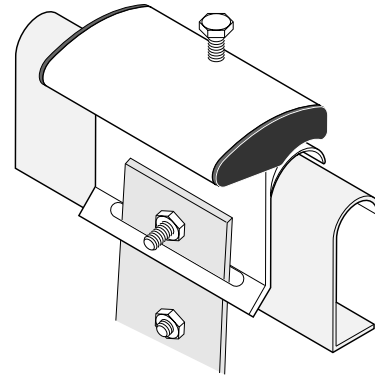
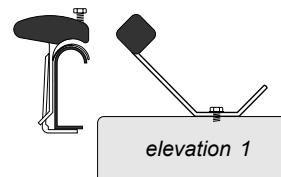


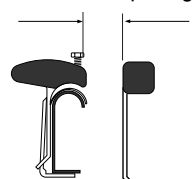
Figure 3

3. Connect the switch wires to the alarm system and test to verify proper operation.

Important: The contact should be mounted at least 13 inches from the floor. If other track-mounted devices interfere, mount the switch under them.



1/4 to 1/2" spacing

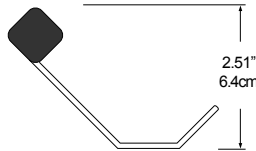
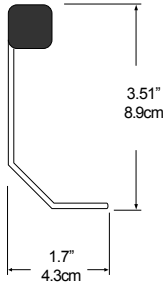
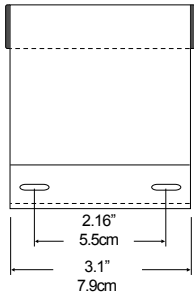
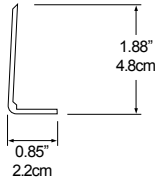
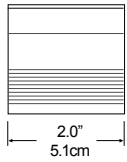
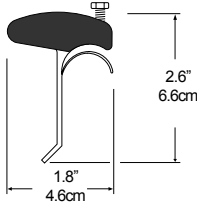
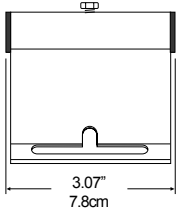
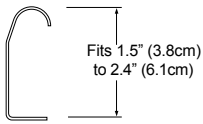


The magnet can be attached at two different elevations from the door.

Fits standard 2" roller-tracks for sectional/panel overhead doors.

Figure 4

Dimensions



Specifications

General

The contact shall be a hermetically sealed reed switch nominally 3.07" H x 1.80" W x 2.60" D with actuating magnet. Contact and magnet shall be in extruded aluminum type housing. Contact shall be sealed in GE Interlogix exclusive polyurethane potting compound. Mounting bracket shall be furnished with contact. Contacts shall be specified as GE Interlogix part numbers 2315A and 2317A. Contact is designed for installation on metal overhead door tracks.

USA Specifications

Form A (2315A)

Voltage 100V AC/DC max.
Current 0.5 A max.
Power 7.5 W max.

Form C (2317A)

Voltage 30V AC/DC max.
Current 0.25 A max.
Power 3.0 W max.

Canadian Specifications

Form A (2315A), Form C (2317A)

Voltage 30VDC max.
Current 50mA max.

European Union Specifications

Form A (2315A)

Voltage 48V AC/DC max.
Current 0.5A max.

WARNING: Each electrical rating is an individual maximum and cannot be exceeded!

Lead Functions

Form C (2317A)

Lead Color	Function
Black	Common
White	Closed Loop (N.O.)
Red	Open Loop (N.C.)

Ordering Information

Model Number	Loop Type	Electrical Configuration	Gap Distance (Make)*	Lead Type	Listing
2315A-L	Closed	NO	Up to 3"2'	stainless steel armored cable	UL-US
2317A-L	Open or closed	SPDT	Up to 3"	2' stainless steel armored cable	UL-US

*Gap distances are nominal make distance $\pm 20\%$. Gap specifications are for switch to make. Break distance is approximately 1.1 to 1.5 times make.



GE Interlogix