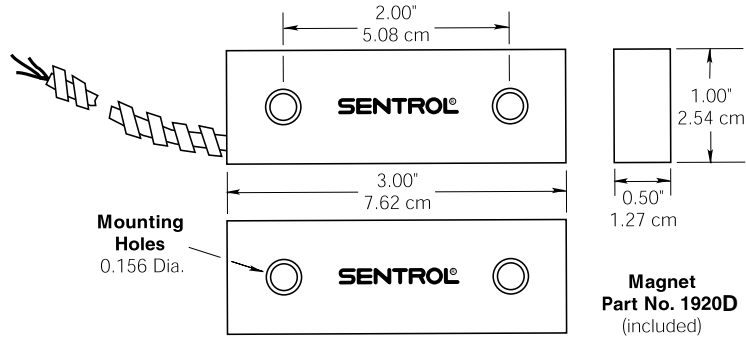


2505A-TIP Installation Instructions

Mount switch and magnet so both labels read in the same direction (see illustration). Switch position and gap distances will be reduced with switch and magnet positioned incorrectly.



Caution: Only use screws supplied, or 18/8 stainless steel screws.

Lead Functions

Lead Color Function

Black Common

White Closed Loop (NO)

Red Open Loop (NC)

U. S. Specifications

Form A

Voltage 100 VDC max.

Current 0.5 A max.

Power 7.5 W max.



Canadian Specifications

Voltage 30 VDC max.

Current 50 mA max.

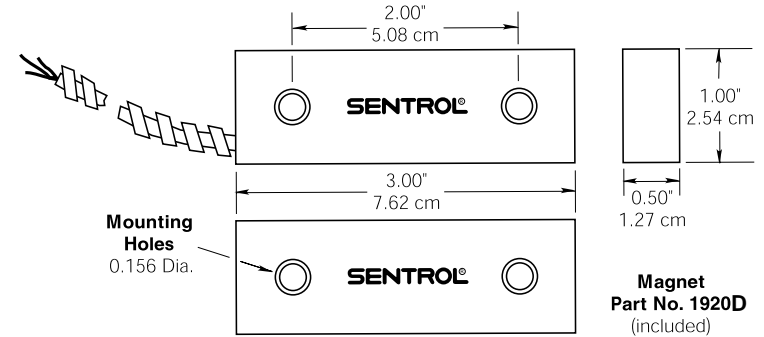
Ordering Information

Model Number	Loop Type	Electrical Configuration	Finish	Gap Distance	Lead Type
2505A-TIP	Closed	NO	Anodized	min. make 3" max. break 5" nominal gap 3 1/2"	3' stainless steel armored cable



2505A-TIP Installation Instructions

Mount switch and magnet so both labels read in the same direction (see illustration). Switch position and gap distances will be reduced with switch and magnet positioned incorrectly.



Caution: Only use screws supplied, or 18/8 stainless steel screws.

Lead Functions

Lead Color Function

Black Common

White Closed Loop (NO)

Red Open Loop (NC)

U. S. Specifications

Form A

Voltage 100 VDC max.

Current 0.5 A max.

Power 7.5 W max.



Canadian Specifications

Voltage 30 VDC max.

Current 50 mA max.

Ordering Information

Model Number	Loop Type	Electrical Configuration	Finish	Gap Distance	Lead Type
2505A-TIP	Closed	NO	Anodized	min. make 3" max. break 5" nominal gap 3 1/2"	3' stainless steel armored cable

