



Bill Trap

Magnetic Contact with Vinyl Jacketed Leads
3555

Overview

The 3555 Bill Trap has been specifically designed for use inside cash drawers. Bills are inserted between the lever and the base plate. Once the bills are removed, contact is made creating an alarm condition. The unit is constructed of Delrin plastic for long life and features a SPDT reed switch for activation. The reed is secured using exclusive polyurethane potting material. Since the unit has no mechanical switch, it is not susceptible to dust or humidity, and is not subject to wear. The device mounts easily using double-sided tape.

Architectural and Engineering Specifications

The Bill Trap consists of a face plate and a back plate. The face is made of a Delrin plastic, magnetized clip with a border. The border adheres to the steel-plate backing, leaving the clip free to lift up and grasp a bill. The backing has an SPDT reed switch potted at its base, with the leads extending from its top. Bill Trap has dimensions of 3.375" (8.65cm) L x 2.563" (6.57cm) W x 0.375" (.96cm) D. Connection to the switch is made through three #22 gauge, 6" wire leads. Removing a bill from between the magnetized clip and the back plate trips the switch. Color is black. The Bill Trap is part number 3555.



Standard Features

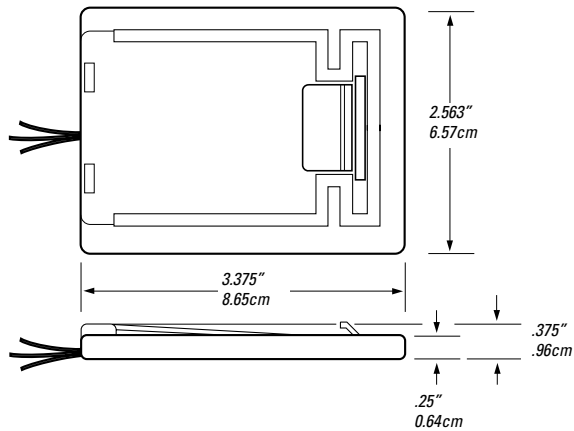
- **Compact housing for easy installation in cash drawers**
- **Delrin plastic housing for long life**
- **Reed based switch design, no mechanical switch to wear out**
- **Not susceptible to dust, humidity, or wear**
- **Double-sided tape for easy mounting**

Bill Trap

Magnetic Contact with Vinyl Jacketed Leads

3555

Dimensions



Specifications

Operating voltage	30V AC/DC max.
Current consumption	0.25A max.
Power	3.0W max.
Dimensions	3.375 L x 2.563 W x 0.375" D (8.65 x 6.57 x 0.96cm)
Form	C



Ordering Information

Model	Loop Type	Electrical Configuration	Color Choices	Lead Type
3555-B	Open or Closed	SPDT	Black	#22 gauge 6" wire



GE Interlogix