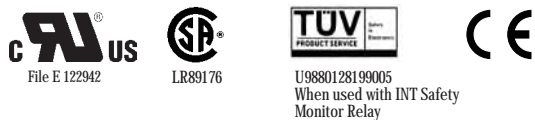
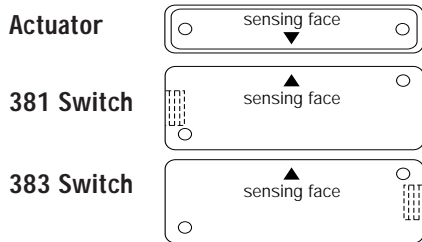
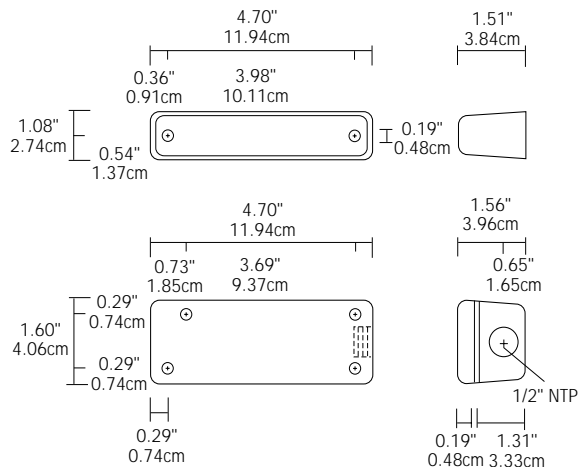


381 & 383-BT GuardSwitch 1/2" Conduit Enclosure



ORDER INFORMATION					
Part Number ¹ 381 or 383	Contact ² Configuration	Sense Range ³ Minimum	Sense Range ³ Maximum	Break Range	Terminal Type
381-BT	DPST: 1 N.O., 1 N.C.	0.3"(0.8cm)	0.6"(1.5cm)	1.2"(3.0cm)	#6 screws
383-BT	DPST: 1 N.O., 1 N.C.	0.3"(0.8cm)	0.6"(1.5cm)	1.2"(3.0cm)	#6 screws

Warning— Each electrical rating is an individual maximum and cannot be exceeded!

¹ The part numbers 381 and 383 are the same in all respects except the conduit connection exits 381 left and 383 right.
² Configuration with actuator away from the switch
³ Proximity of ferrous materials usually reduces sense range — typically by 50%. The shape and type of material cause a wide diversity of effects. Testing is required to determine actual sense range for specific applications.

Safety Switch

APPLICATIONS

- Packaging Machinery
- Machine Tool Machinery
- Presses when used
- Applications Requiring 1/2" Conduit Enclosures
- Meets ANSI, Semi S2 & European Safety Standard for the Highest Machine Risk Category 4 with the INT Safety Relay

General Specifications

Enclosure	Coated Aluminum
Temperature Range	-40°F to 180°F (-40°C to 80°C)
Environmental	Hermetically Sealed Contact Switch Encapsulated in Polyurethane
NEMA Rating	1, 2, 5
Protection Class	IP 64
Response Time (individual circuits)	1 msec The two circuits do not switch simultaneously and depend on the speed of the guard closure. A delay less than 50 msec is typical.
Life Cycles	100,000 Under Full Load; Up to 200,000,000 Under Dry Circuit
Conduit Connection	1/2" Threaded NPT
UL/CSA/TUV	All Models

ELECTRICAL SPECIFICATIONS

Circuit No.	Circuit Type	Contact Configuration	Load Rating	MAX Switching Voltage	MAX Switching Current
1	Switch	N.O.	40W/VA	48VAC/VDC	1.0ADC, 0.7AC
2	Tamper	N.C.	10W/VA	48VAC/VDC	0.3A

SAFETY
300-BT SERIES