

High security doors

Application. High security magnetic contacts are used to protect doors in high security locations or where high-value materials are stored. The contacts can be effectively used at airports, biotechnology labs and other medical research settings, warehouses, manufacturing plants, jewelry stores, banks, data processing centers, military bases and ships, ammunition depots, and energy-generation facilities.

The 2757/2767 series is specifically designed for high security applications in prisons, military installations, and government facilities. These contacts are virtually impossible to defeat. Total encapsulation coupled with recess mounting prevents access to the switch and to cabling, and prevents tampering with an external magnet. They are factory calibrated for operation in steel and are not subject to sticking or freezing on seldom-used doors. In addition, the 2767 contacts are adjustable for use in loose-fitting doors.

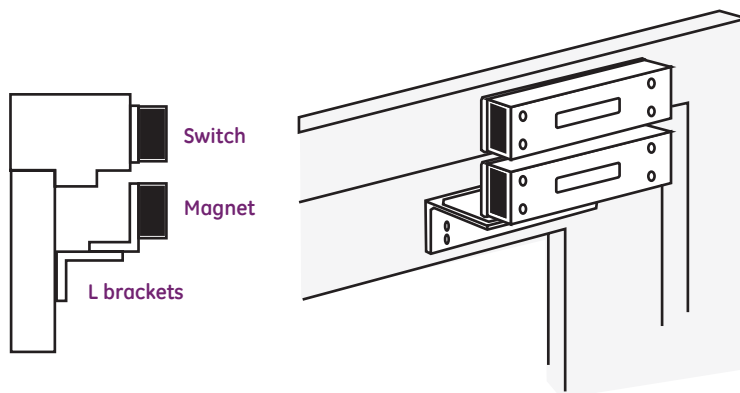
Installation using surface mount contacts. See the specific contact's installation instructions for each recommended contact. To install the 2707A contact, do the following:

1. Bring the magnet toward the switch until an ohmmeter, connected to the closed loop wires, reads 0 ohms. Mark this point.
2. Bring the magnet closer to the switch until the ohmmeter reads infinity. Mark this point.
3. Position the magnet midpoint between the two marks.
4. Use the magnet template to mark the mounting holes.
5. Drill the mounting holes.
6. If a pry tamper plate is required for Certified Safe and Vault applications, install it under the switch with two #6 x 0.75 in. flathead screws. Connect the gold and blue pointed leads to the 24-hour circuit.

Note: Other contact models have unique installation instructions.

Recommended products. 2702A, 2707AD, 2706AS, 2706AP, 2767, 2757, 2757D, 2727A, 2747A

Figure 98. High security 2707A contact installed with 2 L-brackets



Installation using concealed contacts. The 2757/2767 contact are designed to fit into standard ANSI cutouts for mortise installation. If door and jamb are provided with ANSI cutouts and blanks, simply remove the blanks and install the switch and magnet in place.

If cutouts aren't provided, cut holes (W x D x L) 1.25 x 4.875 x 1.25 in. (3.18 x 12.38 x 3.18 cm) in both the door and jamb for the 2757 and 2757D models, and 1.25 x 4.875 x 1.0 in. (3.18 x 12.38 x 2.54 cm) for the 2767. Switch and magnet should be within 0.625 in. (1.58 cm) both vertically and horizontally for proper alignment.

Connect leads to a security loop per the electrical schematics and test (see [Ohmmeter testing](#) on page 86).

Recommended products. 2757, 2767

Figure 99. Concealed contacts

