

Safety Expansion Relay

INT-05 Series

Applications

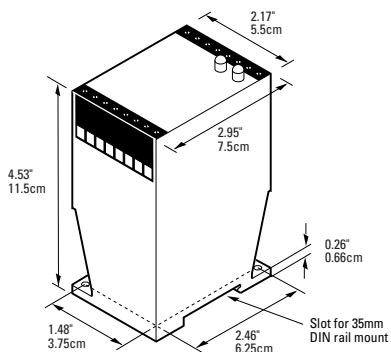
- Adds 3 safe outputs when used with Sentrol safety relays INT-03 and INT-04
- Maintains safety circuit integrity by providing feedback to INT-03 or INT-04 to inhibit machine restart in case of component failure
- Electrical isolation between input and output
- Switches AC or DC loads
- DIN rail or panel mount
- LEDs indicate relay status

The INT-05-024 or INT-05-120 Expansion Safety Relay is intended for use as part of a safety circuit. It provides three additional safe output contacts when used with the INT-03 Safety Monitoring Relay or INT-04 Emergency-Stop Safety Relay.

The INT-05 uses positive-guided relays along with feedback contacts to the INT-03 or INT-04 safety relay to prevent machine start-up in the event of a component failure.

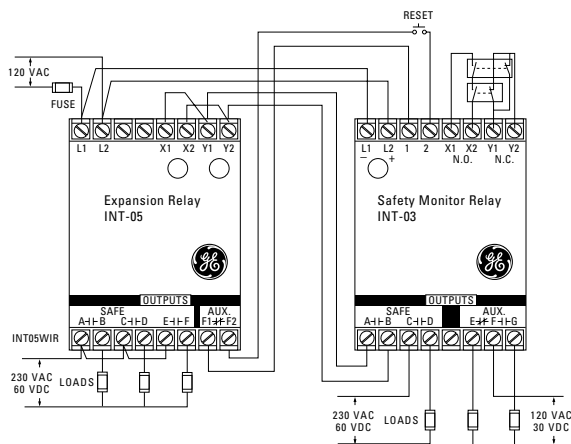
Voltage to the INT-05 is switched thru the contacts of the INT-03 or INT-04. If a component failure occurs, the feedback loop to the INT-03 or INT-04 prevents machine restart.

Panel Mount Dimensions



Wiring

Door Open Configuration



General Specifications

UL/TUV	All Models
Control Inputs (X1, X2 & Y1, Y2 terminals)	
Open-circuit voltage	24VDC
Closed-circuit current	24mA
Max. contact resistance	30 Ohms
Simultaneity	500 ms typical
Safe Outputs (A,B/C,D/E,F terminals)	
Voltage	230 VAC/60VDC
Current	4A (resistive)
Response time	ON:< 40 ms, OFF:<30 ms
Fuse	4A, 250V, 5 x 20 mm, F/T
AUX. Signaling Outputs (F1,F2 terminals)	
Voltage	120 VAC/30VDC
Current	1A (resistive)

Note: Transient protection is required across the load when switching an inductive load.

Operation

- With voltage applied to control inputs via INT-03 or INT-04 output contacts, relay energizes
- With control voltage removed, relay de-energizes
- If an internal failure has occurred, feedback loop will not close thereby disabling INT-03 or INT-04



File E 122942



U 9880128199003



Order Information Electrical Specifications

Part Number	Power Input (L1,L2)	Required Fuse
INT-05-024	24 VDC ± 15%	Fast Acting 1/4 A (250V, 5 x 20 mm,F/T)
INT-05-120	120 VAC+10%, - 20%, 50/60 Hz, 5VA	Fast Acting 80mA (250V, 5 x 20 mm,F/T)

Warning— Each electrical rating is an individual maximum and cannot be exceeded!