

Safety Expansion Relay With Time Delay Opening

INT-06 Series

Applications

- Adds 3 safe, time-delay outputs when used with GE safety relay INT-03 or INT-04
- Maintains safety circuit integrity by providing feedback to INT-03 or INT-04 to inhibit machine restart in case of component failure
- Electrical isolation between input and output
- Switches AC or DC loads
- DIN rail or panel mount
- LEDs indicate relay status

The INT-06-024 or INT-06-120 Expansion Safety Relay with Time Delay Opening is intended for use as part of a safety circuit. It provides three additional safe output contacts when used with the INT-03 Safety Monitor Relay or INT-04 Emergency-Stop Safety Relay. The time delay is adjustable from 1 to 25 seconds to allow for controlled stops for high inertia loads.

The INT-06 uses positive-guided relays along with feedback contacts to the INT-03 or INT-04 safety relay to prevent machine start-up in the event of a component failure.

Input voltage to the INT-06 is switched thru the contacts of the INT-03 or INT-04. If a component failure occurs, the feedback loop to the INT-03 or INT-04 prevents machine restart.

General Specifications

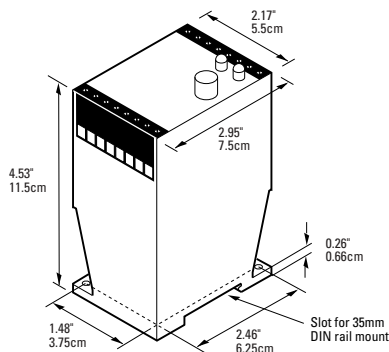
UL/TUV	All Models
Control Inputs (X1, X2 & Y1, Y2 terminals)	
Open-circuit voltage	12VDC
Closed-circuit current	<10mA
Max. contact resistance	30 Ohms
Simultaneity	500 ms typical
Safe Outputs (A,B/C,D/E,F terminals)	
Voltage	230 VAC/60VDC
Current	4A (resistive)
Response time	ON: <50 ms OFF: adjustable from 1 to 25 seconds
Fuse	4A, 250V, 5 x 20 mm, F/T
AUX. Signaling Outputs (F1,F2 terminals)	
Voltage	120 VAC/30VDC
Current	1A (resistive)

Note: Transient protection is required across the load when switching an inductive load.

Operation

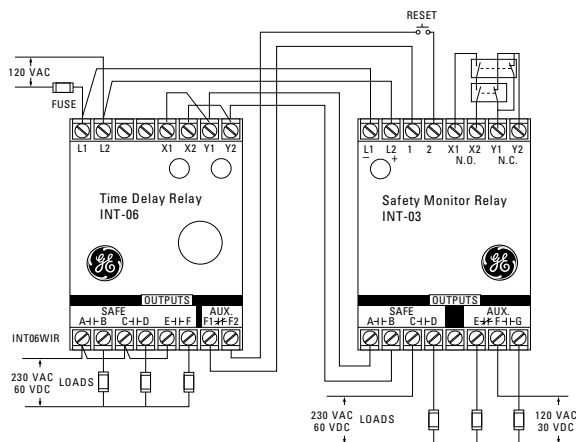
- With voltage applied to control inputs via INT-03 or INT-04 output contacts, relay energizes.
- With control voltage removed, relay de-energizes after selected time delay.
- If an internal failure has occurred, feedback loop will not close thereby disabling INT-03 or INT-04.

Panel Mount Dimensions



Wiring

Door Open Configuration



File E 122942



U 9880128199003



Order Information

Electrical Specifications

Part Number	Power Input (L1,L2)	Required Fuse
INT-06-024	24VDC±20%	Fast Acting 1/4 A (250V, 5 x 20 mm F/T)
INT-06-120	120VAC+10%, -20%, 50/60 Hz, 5VA	Fast Acting 80mA (250V, 5 x 20 mm F/T)

Warning— Each electrical rating is an individual maximum and cannot be exceeded!