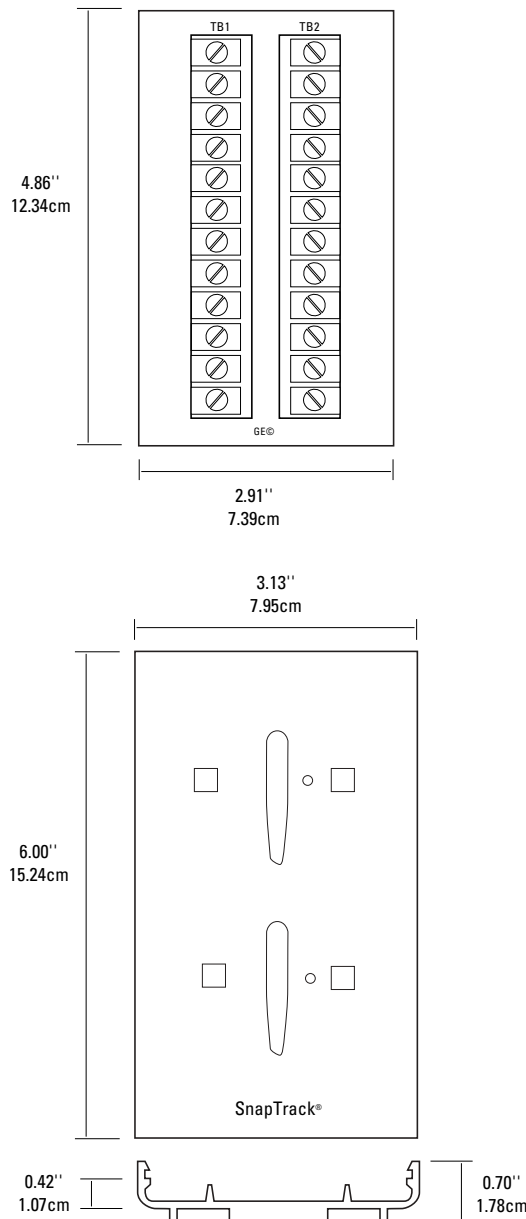


## Description

The JB-0300 Junction Board allows you to easily connect multiple BT Series switches to a INT Safety Monitor Relay. The junction board provides parallel connections (red and blue terminals) and series connections (white and black terminals).

The junction board supports up to five switches and/or additional junction boards.

## Dimensions



## Integrity Series Safety Relay Junction Board JB-0300

JB-0300  
 JB-\_\_\_\_\_



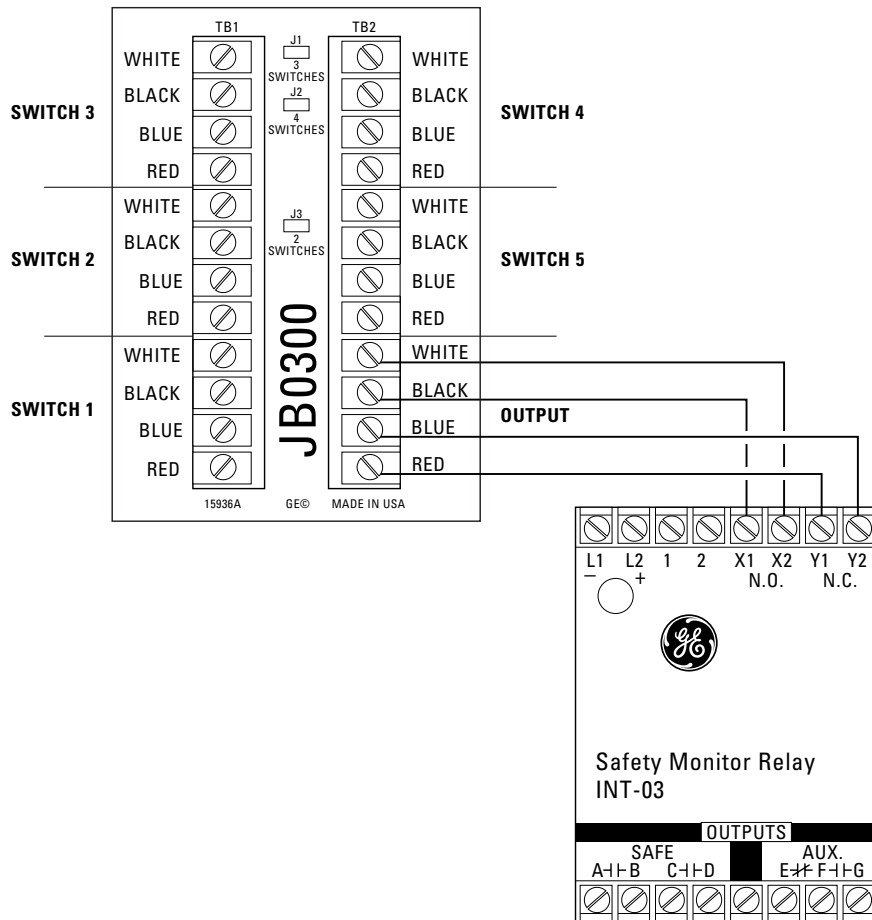
## Installation

- Using screws, mount the junction board in an enclosure with the mounting bracket provided. The junction board can also be mounted on DIN rail with optional DRA-0300 DIN rail adapter (two required) available from GE. See *Ordering Information*.
- Using the following guidelines, connect the switch wires to the appropriate terminals on the junction board:
  - Connect the wires to the terminals labeled with the corresponding color (red to red, blue to blue, and so on).
  - Connect switches sequentially starting at SWITCH 1. DO NOT skip any switch positions or the junction board will not work properly.
- Set the jumper for the number of switches connected to the junction board as follows:

This many switches	Place jumper on ...
2	J3
3	J1
4	J2
5	No jumper needed

- Connect the safety monitor relay to the output of the junction board as shown in Figure 1.

# Typical Wiring Diagram



## Ordering Specifications

PART NUMBER	Description
JB-0300	Junction board mounted on SnapTrack® channel
DRA-0300	DIN rail adapter, 2 required

