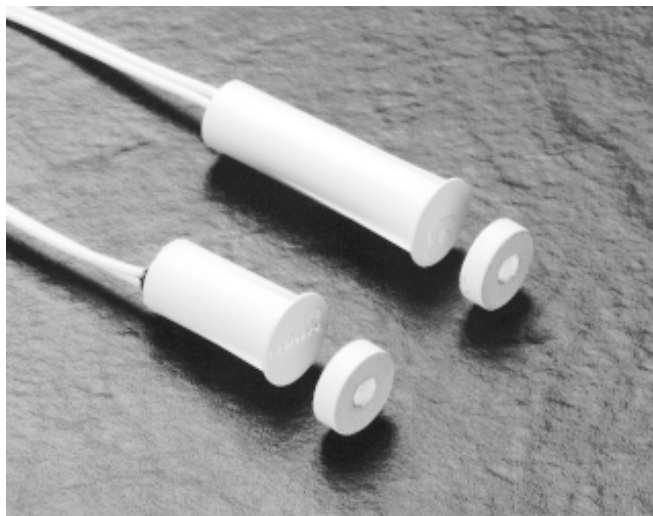


S E N T R O L

P R O D U C T I N F O R M A T I O N B U L L E T I N



Model R1075 (above) and Model R1125 (below).



R1075/R1125 SERIES MINI-MAX™ MAGNETIC CONTACTS

3/8" Dia. Press Fit with Mini-Max™ Magnets

Model numbers:
R1075, R1075W,
R1125, R1125W

Patent pending.



- **Rare-Earth Magnet Technology delivers powerful magnetic force**
- **Ideal for vinyl-clad and custom windows**
- **Magnets mount easily with glue, double-stick tape, or stainless steel screw**
- **Standard gap 1/2"; wide gap 1"**

Sentrol's R1075/R1125 Series Mini-Max™ Contacts are Press Fit magnetic contacts with Mini-Max™ magnets. The Mini-Max™ magnets are available for both the standard R1075 Press Fit and the "Stubby" R1125 Press Fit.

Mini-Max™ magnets deliver strong protection in a low-profile design – virtually eliminating the risk of window damage during installation. Just 1/8" thick, the magnets surface mount easily with glue, double-stick tape (included), or stainless steel screw (included).

The R1075 and R1125 contacts are designed specifically for applications where space is limited. The short length of the "Stubby" R1125 contact makes it ideal for thin framed windows and doors where larger units cannot be used. Press Fit ribs on the R1075 and R1125 contact housings make for quick, easy installation.

Available in Two Configurations

The R1075/R1125 Series Mini-Max™ Contacts are available with standard and wide gap magnets. Standard Mini-Max™ magnets maintain a 1/2" gap, while wide gap models have a gap distance of up to 1".

Sentrol R1075/R1125 3/8" Dia. Press Fit with Wire Leads

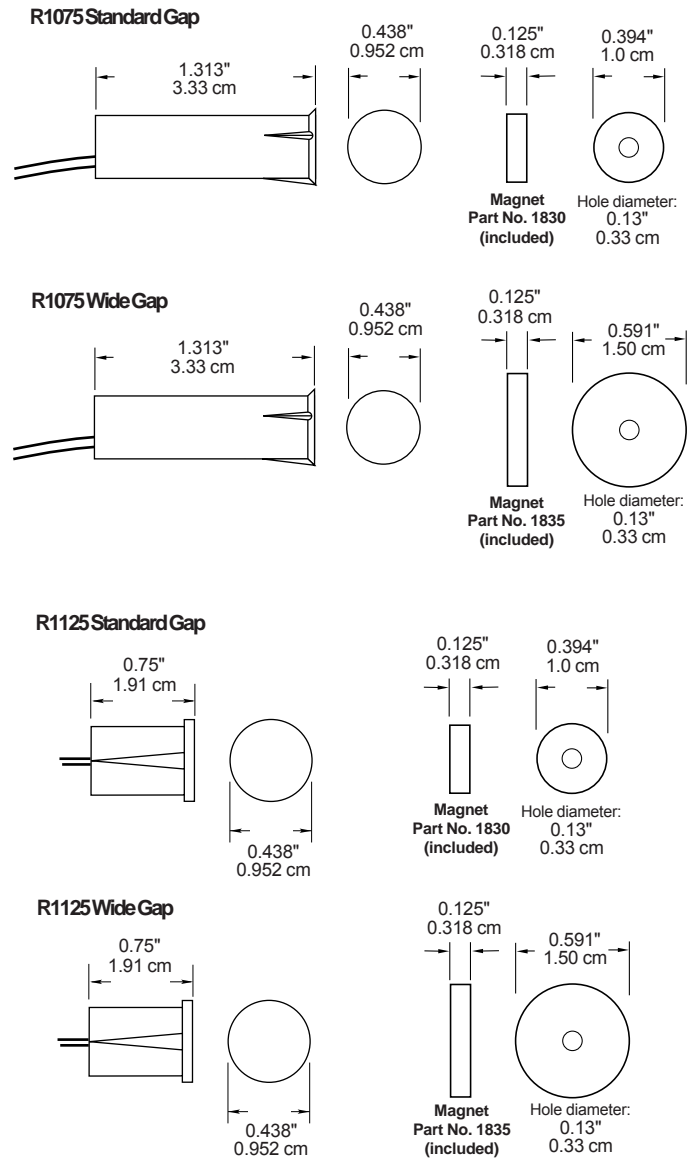
Architects and Engineering Specifications

The R1075 contact measures 1.313" L x 0.425 Dia. (3.33 cm x 0.952 cm) and the R1125 measures 0.75" L x 0.425 Dia. (1.91 cm x 0.952 cm). Both switch housings shall have three fins to press fit against the mounting hole. The reed switch is hermetically sealed by a polyurethane potting compound and encapsulated in flame-retardant plastic. Color shall be white or mahogany brown.

Mini-Max™ magnets shall surface mount with glue, double-stick tape (provided) or stainless steel screw (included). Or, recess mount 1/8" with a spade bit. Standard gap Mini-Max™ magnets (Sentrol part number 1830) shall be 0.394" Dia. x 0.125" H (1.0 cm x 0.318 cm). Wide gap Mini-Max™ magnets (Sentrol part number 1835) shall be 0.591" Dia. x 0.125" H (1.50 cm x 0.318 cm). Color shall be white or black.

Specifications:

Voltage 100 V AC/DC max
 Current 0.5 A max
 Power 7.5 W max



ORDERING INFORMATION

Model Number	Loop Type	Electrical Configuration	Color Choices	Gap Distance*
R1075	Closed	N.O.	White or Mahogany brown	1/2"
R1075W	Closed	N.O.	White or Mahogany brown	1"
R1125	Closed	N.O.	White or Mahogany brown	1/2"
R1125W	Closed	N.O.	White or Mahogany brown	7/8"

NOTE:

* Gap distances are nominal make distance ± 20%. Gap specifications are for switch to make. Break distance is approximately 1.1 to 1.5 times make.



SENTROL