

1414 N4 Series JIC Enclosures - NEMA 12, 13, 4 Clamped, Lift Off Cover

Industrial Enclosures
Junction Boxes/JIC Enclosures



Application

- Designed for use as instrument enclosures, electric, hydraulic or pneumatic control housings, electrical junction boxes or terminal wiring enclosures.
- Provides protection where equipment may be hosed down or otherwise be very wet, or in outdoor applications for full weather protection.

Standards

- UL 508 Type 3R, 4, 12 and 13
- CSA Type 3R, 4, 12 and 13
- **Complies with**
 - NEMA Type 3R, 4, and 12
 - JIC EGP-1-1967
 - IEC 529, IP66

Construction

- Body formed from 16 or 14 gauge steel. Covers are formed from 14 gauge steel.
- Smooth, continuously welded seams without knockouts, cutouts or holes.
- Welded brackets provide for enclosure mounting.
- Lift off cover is secured with stainless steel clamps and screws.
- Oil resistant gaskets are permanently secured.
- All models larger than 4" x 4" include a removable 14 gauge inner panel.
- Weldnuts are provided for mounting inner panels.
- A grounding stud is provided in the enclosure.

Finish

- Cover and enclosure are phosphatized, primed and finished in recoatable smooth ANSI/ASA 61 gray powder coating.
- Removable inner panel is finished in white powder coating.

Accessories

- Additional inner panels...see page [384](#)
- Breather kits...see page [374](#)
- Door clamping hardware...see page [378](#)
- Filter fans...see page [360-367](#)
- Heaters...see page [369-371](#)
- Louvered ventilating plates...see page [396](#)
- Terminal kit assemblies...see page [386](#)
- Thermostats...see page [374](#)
- Window kits...see page [391](#)

1414 N4 PHSS Series 316 Stainless Steel JIC Enclosures - NEMA 4X Continuous Hinge, Clamped Cover



**Inner
Panel
Included**



Corrosion Resistant Enclosures
Junction Boxes/JIC Enclosures

Application

- Designed for use as instrument enclosures, electric, hydraulic or pneumatic control housings, electrical junction boxes or terminal wiring enclosures.
- Provides protection where equipment may be hosed down or otherwise be very wet, or in specific applications where corrosion may be a problem.

Standards

- UL 508 Type 3R, 4, 4X, and 12
- CSA Type 3R, 4, 4X, and 12
- **Complies with**
 - NEMA Type 3R, 4, 4X, 12 and 13.
 - JIC EGP-1-1967
 - IEC 529, IP66

Construction

- Formed from 14 gauge Type 316 stainless steel without knockouts, cutouts, or holes.
- Smooth, continuously welded seams.
- Welded brackets provide for enclosure mounting.
- Continuous stainless steel hinged cover is secured with stainless steel clamps.
- Oil resistant gaskets are permanently secured.
- All models larger than 4" x 4" include a removable 14 gauge inner panel.
- Weldnuts are provided for mounting inner panels.
- A bonding stud is provided on the door and a grounding stud is provided in the enclosure.

Finish

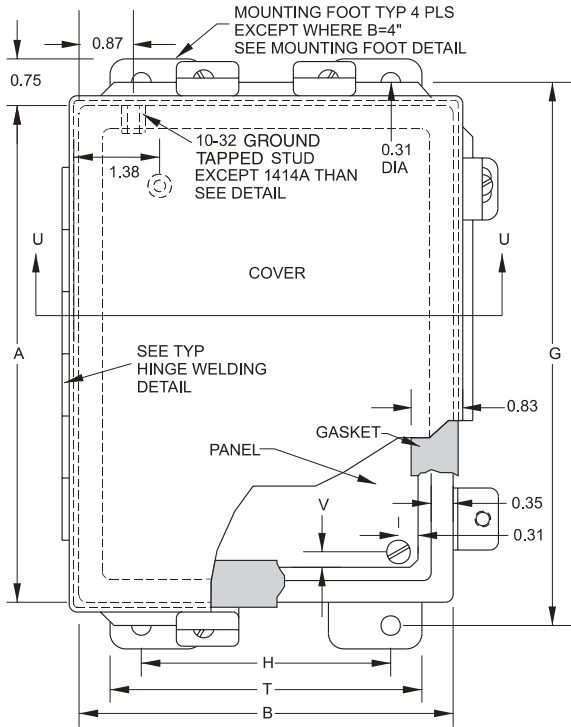
- Cover and enclosure are natural stainless steel with a smooth brushed finish.
- Removable inner panel is finished white powder coating.

Accessories

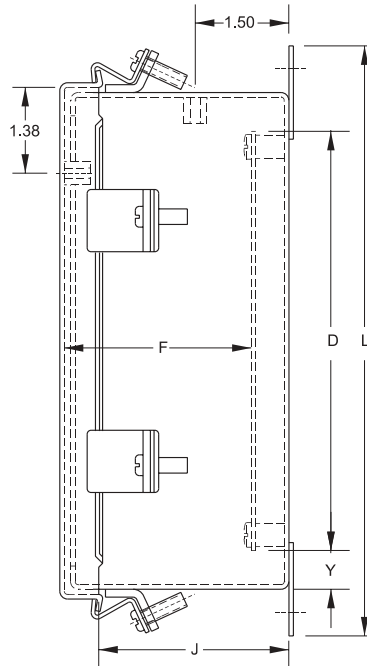
- Additional inner panels...see page **384**
- Breather kits...see page **374**
- Door clamping hardware...see page **378**
- Filter fans...see page **360-367**
- Heaters...see page **369-371**
- Louvered ventilating plates...see page **396**
- Terminal kit assemblies...see page **386**
- Thermostats...see page **374**
- Window kits...see page **391**

1414 N4 PHSS Series 316 Stainless Steel JIC Enclosures - NEMA 4X

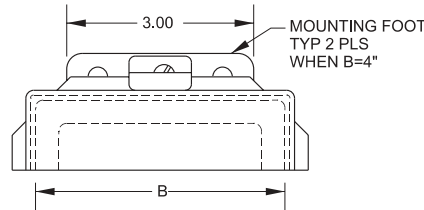
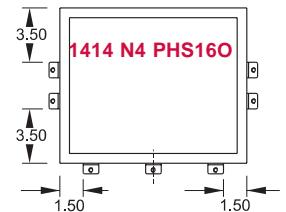
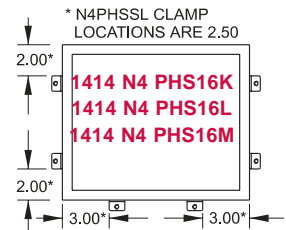
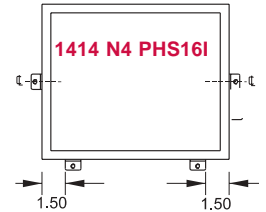
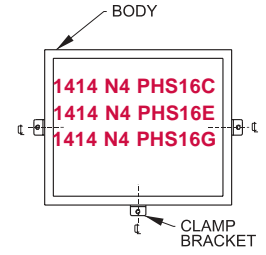
Continuous Hinge, Clamped Cover



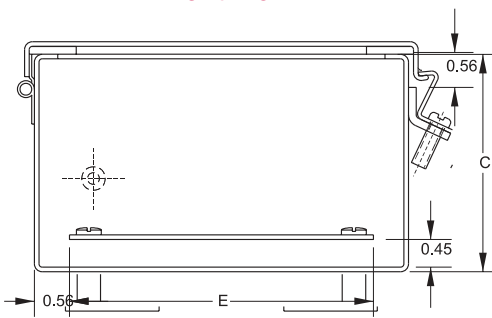
Front View



Side View



**Mounting Detail
When B=4**



Top View

Corrosion Resistant Enclosures
Junction Boxes/JIC Enclosures

Part No.	Panel Size					Mounting Centers		Cover Dimensions					Ship Wt. lbs.			
	A	B	C	D	E	F	G	H	J	L	T	V		Y		
1414N4PHS16C4	6	4	4.0	4.88	2.88	3.50	6.75	2	3.6	7.5	6.31	4.31	3	0.31	0.56	5
1414N4PHS16E	6	6	4.0	4.88	4.88	3.50	6.75	4	3.6	7.5	6.31	6.31	5	0.31	0.56	6
1414N4PHS16G	8	6	3.5	6.75	4.88	3.00	8.75	4	3.1	9.5	8.31	6.31	5	0.25	0.63	6
1414N4PHS16I	10	8	4.0	8.75	6.88	3.50	10.75	6	3.6	11.5	10.31	8.31	7	0.25	0.63	10
1414N4PHS16K	12	10	5.0	10.75	8.88	4.50	12.75	8	4.6	13.5	12.31	10.31	9	0.25	0.63	15
1414N4PHS16L6	12	12	6.0	10.75	10.88	5.50	12.75	10	5.6	13.5	12.36	12.31	11	0.25	0.63	20
1414N4PHS16M6	14	12	6.0	12.75	10.88	5.50	14.75	10	5.6	15.5	14.31	12.31	11	0.25	0.63	21
1414N4PHS16O6	16	14	6.0	14.75	12.88	5.50	16.75	12	5.6	17.5	16.31	14.31	13	0.25	0.63	26

1414 N4 PHSS Series 304 Stainless Steel JIC Enclosures - NEMA 4X Continuous Hinge, Clamped Cover



**Inner
Panel
Included**



Corrosion Resistant Enclosures
Junction Boxes/JIC Enclosures

Application

- Designed for use as instrument enclosures, electric, hydraulic or pneumatic control housings, electrical junction boxes or terminal wiring enclosures.
- Provides protection where equipment may be hosed down or otherwise be very wet, or in specific applications where corrosion may be a problem.

Standards

- UL 508 Type 3R, 4, 4X, and 12
- CSA Type 3R, 4, 4X, and 12
- **Complies with**
 - NEMA Type 3R, 4, 4X, 12 and 13
 - JIC EGP-1-1967
 - IEC 529, IP66

Construction

- Formed from 14 gauge Type 304 stainless steel without knockouts, cutouts or holes.
- Smooth, continuously welded seams.
- Welded brackets provide for enclosure mounting.
- Continuous stainless steel hinged cover is secured with stainless steel clamps and screws.
- Oil resistant gaskets are permanently secured.
- All models larger than 4" x 4" include a removable 14 gauge inner panel.
- Weldnuts are provided for mounting inner panels.
- A bonding stud is provided on the door and a grounding stud is provided in the enclosure.

Finish

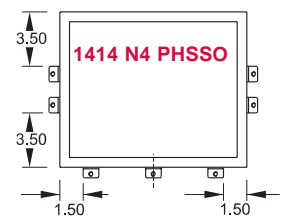
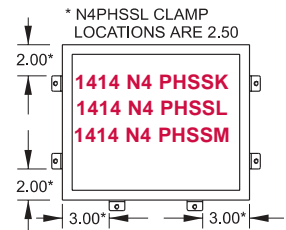
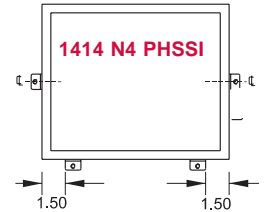
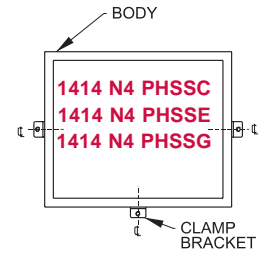
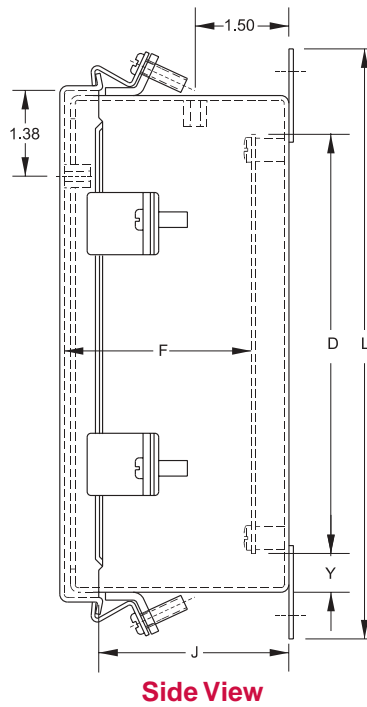
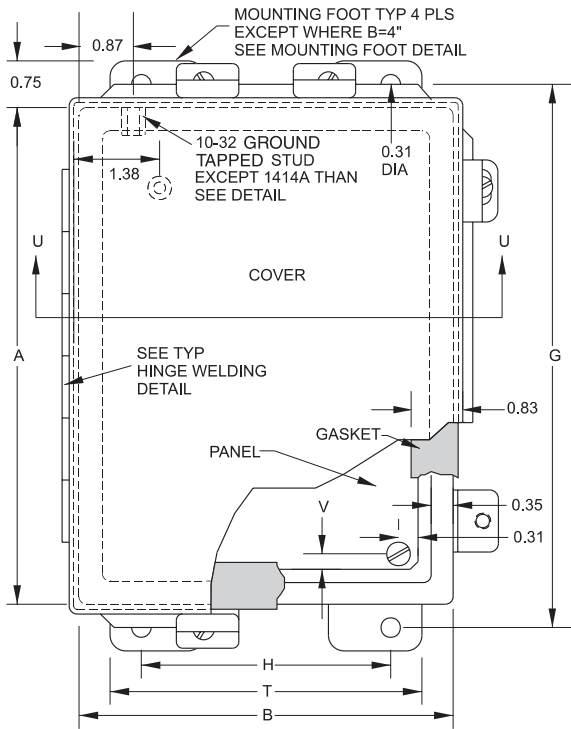
- Cover and enclosure are natural stainless steel with a smooth brushed finish.
- Removable inner panel is finished in white powder coating.

Accessories

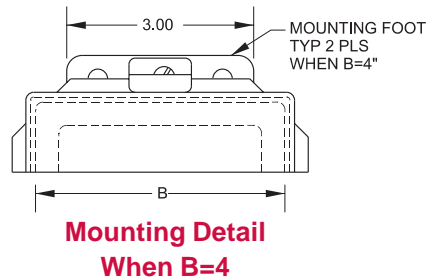
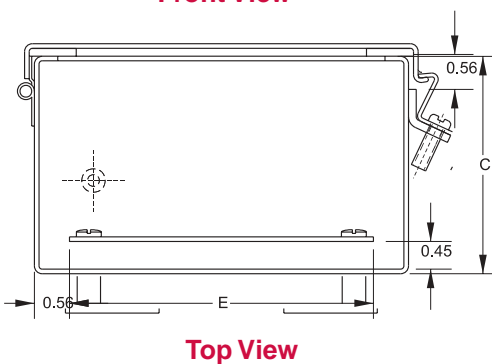
- Additional inner panels...see page **384**
- Breather kits...see page **374**
- Door clamping hardware...see page **378**
- Filter fans...see page **360-367**
- Heaters...see page **369-71**
- Louvered ventilating plates...see page **396**
- Terminal kit assemblies...see page **386**
- Thermostats...see page **374**
- Window kits...see page **391**

1414 N4 PHSS Series 304 Stainless Steel JIC Enclosures - NEMA 4X

Continuous Hinge, Clamped Cover



Corrosion Resistant Enclosures
Junction Boxes/JIC Enclosures



Part No.	Part No. Without Inner Panel	Mounting										Cover					Ship Wt. lbs.		
		A	B	C	Panel Size		Centers				Dimensions		T	V	Y	With Panel	Out		
					D	E	F	G	H	J	L								
1414N4PHSSC4	1414N4PHSSC4LP	6	4	4.0	4.88	2.88	3.50	6.75	2	3.6	7.5	6.31	4.31	3	0.31	0.56	5	4	
1414N4PHSSE	1414N4PHSSEL	6	6	4.0	4.88	4.88	3.50	6.75	4	3.6	7.5	6.31	6.31	5	0.31	0.56	6	5	
1414N4PHSSG	1414N4PHSSGL	8	6	3.5	6.75	4.88	3.00	8.75	4	3.1	9.5	8.31	6.31	5	0.25	0.63	6	5	
1414N4PHSSG4	1414N4PHSSG4LP	8	6	4.0	6.75	4.88	3.50	8.75	4	3.6	9.50	8.31	6.31	5	.25	.63	8	7	
1414N4PHSSI	1414N4PHSSIL	10	8	4.0	8.75	6.88	3.50	10.75	6	3.6	11.5	10.31	8.31	7	0.25	0.63	10	9	
1414N4PHSSK	1414N4PHSSKLP	12	10	5.0	10.75	8.88	4.50	12.75	8	4.6	13.5	12.31	10.31	9	0.25	0.63	15	13	
1414N4PHSSL6	1414N4PHSSL6LP	12	12	6.0	10.75	10.88	5.50	12.75	10	5.6	13.5	12.36	12.31	11	0.25	0.63	20	18	
1414N4PHSSM6	1414N4PHSSM6LP	14	12	6.0	12.75	10.88	5.50	14.75	10	5.6	15.5	14.31	12.31	11	0.25	0.63	21	19	
1414N4PHSSO6	1414N4PHSSO6LP	16	14	6.0	14.75	12.88	5.50	16.75	12	5.6	17.5	16.31	14.31	13	0.25	0.63	26	23	
1414N4PHSSM8	1414N4PHSSM8LP	14	12	8.0	12.75	10.88	7.50	14.75	10	7.6	15.5	14.31	12.31	11	0.25	0.63	22	20	
1414N4PHSSO10	1414N4PHSSO10LP	16	14	10.0	14.75	12.88	9.50	16.75	12	9.6	17.5	16.31	14.31	13	0.25	0.63	28	25	

1414 N4 304 SS Stainless Steel JIC Enclosures - NEMA 4X

Lift Off, Clamped Cover



Corrosion Resistant Enclosures
Junction Boxes/JIC Enclosures

Application

- Designed for use as instrument enclosures, electric, hydraulic or pneumatic control housings, electrical junction boxes or terminal wiring enclosures.
- Provides protection where equipment may be hosed down or otherwise be very wet, or in specific applications where corrosion may be a problem.

Standards

- UL 508 Type 3R, 4, 4X, and 12
- CSA Type 3R, 4, 4X, and 12
- **Complies with**
 - NEMA Type 3R, 4, 4X, 12 and 13.
 - JIC EGP-1-1967
 - IEC 529, IP66

Construction

- Formed from 14 gauge Type 304 stainless steel without knockouts, cutouts, or holes.
- Smooth, continuously welded seams.
- Welded brackets provide for enclosure mounting.
- Lift off cover is secured with stainless steel clamps and screws.
- Oil resistant gaskets are permanently secured.
- All models larger than 4" x 4" include a removable 14 gauge inner panel.
- Weldnuts are provided for mounting inner panels.
- A bonding stud is provided on the door and a grounding stud is provided in the enclosure.

Finish

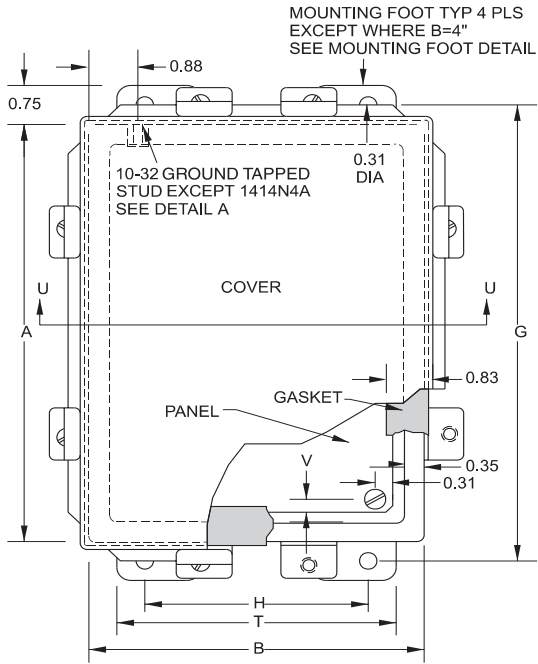
- Cover and enclosure are natural stainless steel with a smooth brushed finish.
- Removable inner panel is finished in white powder coating.

Accessories

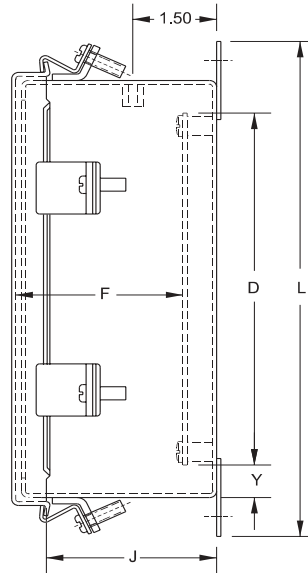
- Additional inner panels...see page **384**
- Breather kits...see page **374**
- Door clamping hardware...see page **378**
- Filter fans...see page **360-367**
- Heaters...see page **369-371**
- Louvered ventilating plates...see page **3396**
- Terminal kit assemblies...see page **386**
- Thermostats...see page **374**
- Window kits...see page **391**

1414 N4 304 SS Stainless Steel JIC Enclosures - NEMA 4X

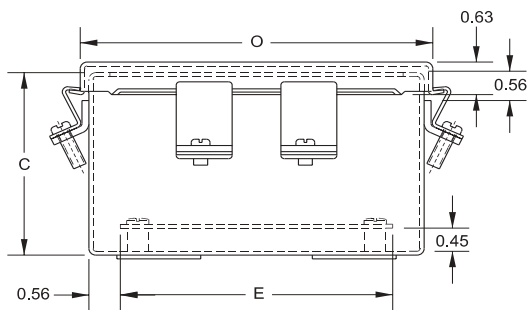
Lift Off, Clamped Cover



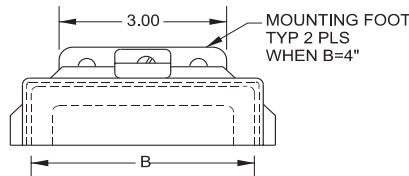
Front View



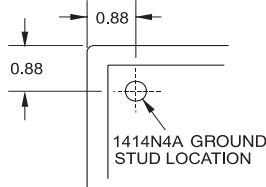
Side View



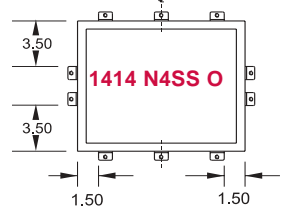
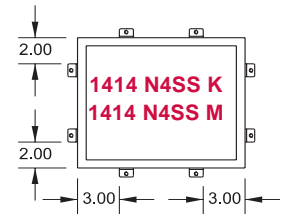
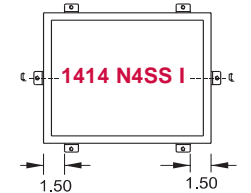
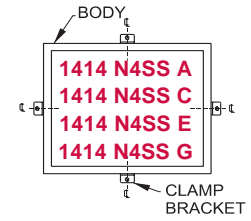
Top View



Mounting Foot Detail When B=4



Ground stud location for 1414N4A



Corrosion Resistant Enclosures
Junction Boxes/JIC Enclosures

Part No.	Panel Dimensions						Centers				Cover Dimensions			Ship Wt. lbs.		
	A	B	C	D	E	F	G	H	J	L	T	V	Y			
1414N4SSA ¹	4	4	3.0	—	—	—	4.75	2	2.60	5.5	4.31	4.31	3	—	—	2
1414N4SSC4	6	4	4.0	4.88	2.88	3.50	6.75	2	3.60	7.5	6.31	4.31	3	.31	.56	3
1414N4SSG	8	6	3.5	6.75	4.88	3.00	8.75	4	3.10	9.5	8.31	6.31	5	.25	.63	6
1414N4SSE	6	6	4.0	4.88	4.88	3.50	6.75	4	3.60	7.5	6.31	6.31	5	.31	.56	6
1414N4SSI	10	8	4.0	8.75	6.88	3.50	10.75	6	3.60	11.5	10.31	8.31	7	.25	.63	10
1414N4SSK	12	10	5.0	10.75	8.88	4.50	12.75	8	4.60	13.5	12.31	10.31	9	.25	.63	15
1414N4SSM6	14	12	6.0	12.75	10.88	5.50	14.75	10	5.60	15.5	14.31	12.31	11	.25	.63	20
1414N4SSO6	16	14	6.0	14.75	12.88	5.50	16.75	12	5.60	17.5	16.31	14.31	13	.25	.63	26

¹ Panel not included