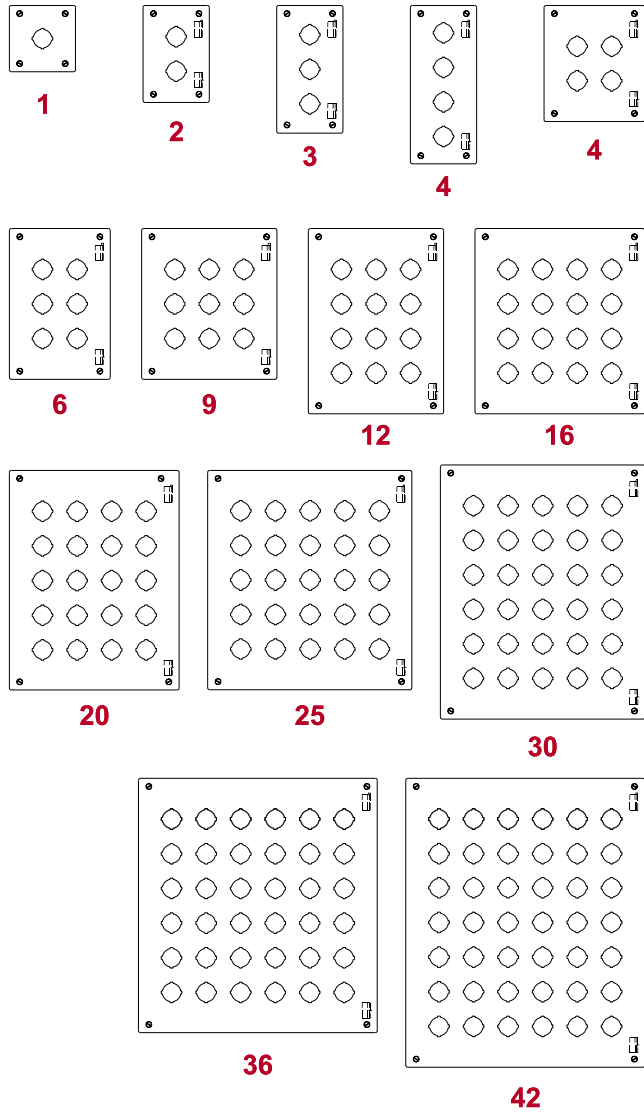


Pushbutton Enclosures - NEMA 12, 13

1437/ 1437M Extra Deep Series

Operator Interface Enclosure



Application

- Designed to accept standard heavy duty oil tight pushbuttons, switches and pilot lights.
- Provides protection from dirt, dust, oil and water.

Standards

- UL 508 Type 12 and 13
- CSA Enclosure 12 and 13
- **Complies with**
 - NEMA Type 12 and 13
 - IEC 60529, IP54
 - JIC STD EGP-1-1967
- Appropriate components are required to maintain these standards.

Construction

- Formed from 14 gauge steel except A which is 16 gauge.
- Smooth continuously welded seams.
- Welded brackets provide for enclosure mounting.
- Captive cover screws fasten into threaded, sealed wells.
- Larger enclosures provide internally hinged removable covers, designed to hold the cover open during wiring (see table).
- Oil resistant gasket and adhesive.
- A grounding stud is provided in the enclosure.

Finish

- Cover and enclosure are phosphatized and finished in ANSI 61 gray powder coating.

Accessories

- Hole plugs...see page **432**
- Pedestals...see page **449**

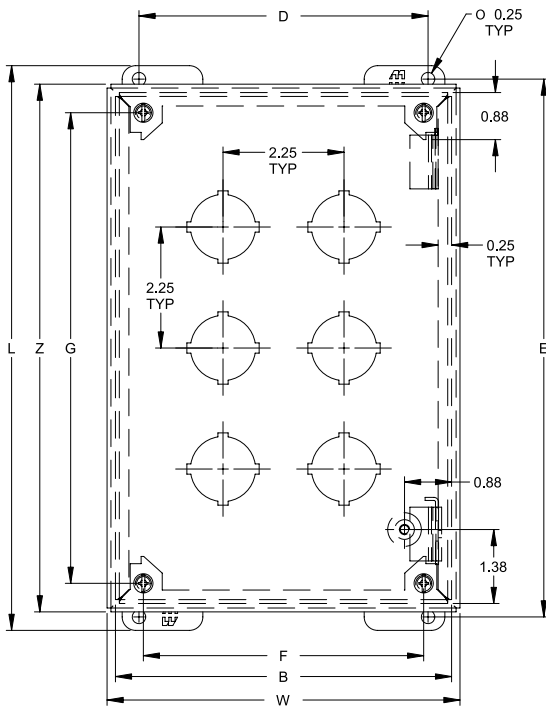
Pushbutton Enclosures

Pushbutton Enclosures - NEMA 12, 13

1437/ 1437M Extra Deep Series

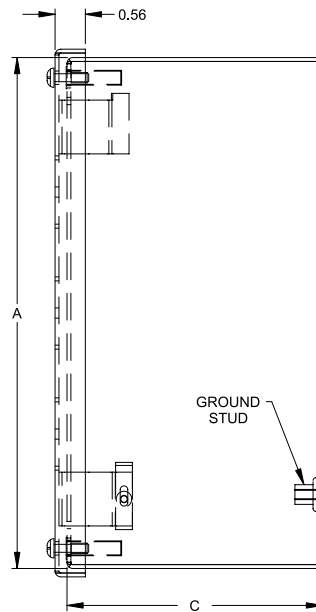
Operator Interface Enclosure

Pushbutton Enclosures

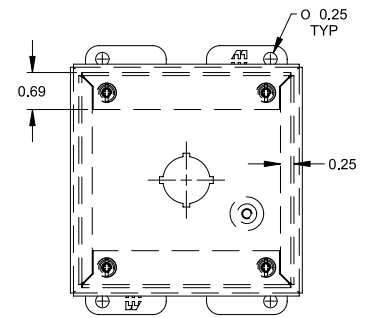


Front View

Body Type B through -42
(Hinged)

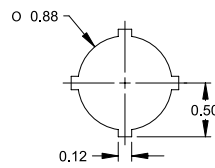


Side View

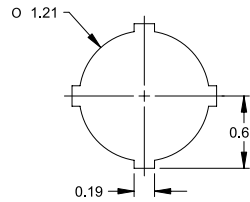


Front View

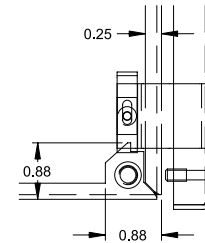
Body Type A
(Not Hinged)



22.5mm Detail
(1437M Series)



30.5mm Detail
(1437 Series)



Hinge Detail

Retractable pin allows door to be mounted on left or right side

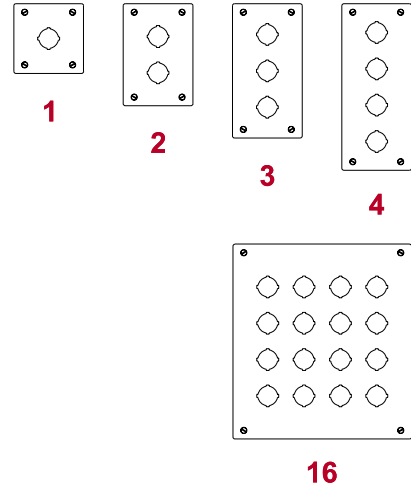
Part No.		No. Of Holes	Overall Dimensions										Ship Wt. lbs.
30.5mm	22.5mm		A	B	C	D	E	F	G	L	W	Z	
1437A ¹	1437MA ¹	1	4.00	4.00	4.75	3.13	4.50	2.96	3.25	5.00	4.31	4.31	3
1437B	1437MB	2	6.00	4.00	4.75	3.13	6.50	2.96	5.25	7.00	4.31	6.31	4
1437C	1437MC	3	8.00	4.00	4.75	3.13	8.50	2.96	7.25	9.00	4.31	8.31	5
1437D	1437MD	4	10.00	4.00	4.75	3.13	10.5	2.96	9.25	11.00	4.31	10.31	5
1437F	1437MF	4	7.25	6.25	4.75	5.38	7.75	5.21	6.50	8.25	6.56	7.56	5
1437H	1437MH	6	9.50	6.25	4.75	5.38	10.00	5.21	8.75	10.50	6.56	9.81	5
1437K	1437MK	9	9.50	8.50	4.75	7.63	10.00	7.46	8.75	10.50	8.81	9.81	7
1437O	1437MO	12	11.75	8.50	4.75	7.63	12.25	7.46	11.00	12.75	8.81	12.06	8
1437S	1437MS	16	11.75	10.75	4.75	9.88	12.25	9.71	11.00	12.75	11.06	12.06	9
1437V	1437MV	20	14.00	10.75	4.75	9.88	14.50	9.71	13.25	15.00	11.06	14.31	11
1437X	1437MX	25	14.00	13.00	4.75	12.13	14.50	11.96	13.25	15.00	13.31	14.31	12
1437-30	1437M-30	30	16.25	13.00	4.75	12.13	16.75	11.96	15.50	17.25	13.31	16.56	14
1437-36	1437M-36	36	16.25	15.25	4.75	14.38	16.75	14.21	15.50	17.25	15.56	16.56	16
1437-42	1437M-42	42	18.50	15.25	4.75	14.38	19.00	14.21	17.75	19.50	15.56	18.81	18

¹ Not Hinged

Pushbutton Enclosures - NEMA 4, 4X

1437 Stainless Steel Series

Operator Interface Enclosure



Pushbutton Enclosures

Application

- Designed to accept standard heavy duty oil tight pushbuttons, switches and pilot lights.
- Provides protection from dirt, dust, oil and water.

Standards

- UL 508 Type 4 and 4X
- CSA Enclosure 4 and 4X
- **Complies with**
 - NEMA Type 4 and 4X
 - IEC 60529, IP66
 - JIC STD EGP-1-1967
- Appropriate components are required to maintain these standards.

Construction

- Formed from 14 gauge steel except A which is 16 gauge.
- Smooth continuously welded seams.
- Welded brackets provide for enclosure mounting.
- Captive cover screws fasten into threaded, sealed wells.
- Larger enclosures provide internally hinged removable covers, designed to hold the cover open during wiring (see table).
- Oil resistant gasket and adhesive.
- A grounding stud is provided in the enclosure.

Finish

- Natural stainless steel with a smooth brushed finish.

Accessories

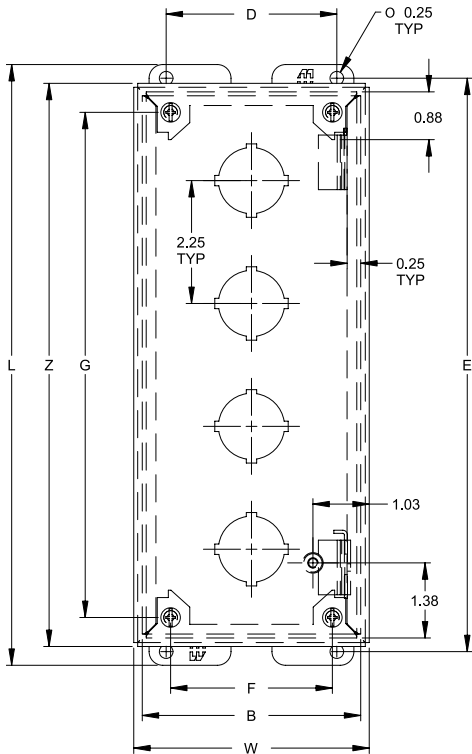
- Hole plugs...see page **432**
- Pedestals...see page **449**

Pushbutton Enclosures - NEMA 4, 4X

1437 Stainless Steel Series

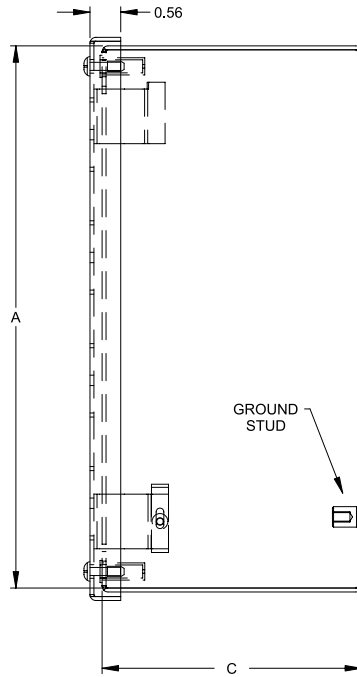
Operator Interface Enclosure

Pushbutton Enclosures

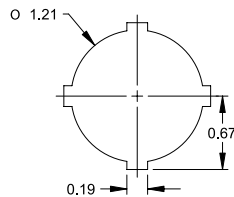


Front View

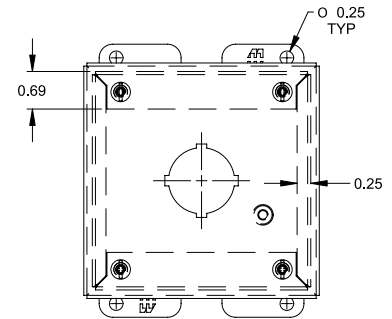
Body Type B through -42
(Hinged)



Side View

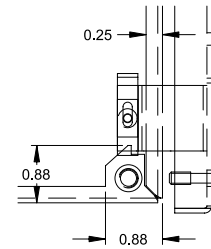


22.5mm Detail



Front View

Body Type A
(Not Hinged)



Hinge Detail

Retractable pin allows door to be mounted on left or right side

Part No.		No.	Overall Dimensions										Ship Wt.
304 SS 30.5mm	316 SS 30.5mm	Of Holes	A	B	C	D	E	F	G	L	W	Z	lbs.
1437SSA ¹	1437S16A ¹	1	4	4	4.75	3.13	4.5	2.96	3.25	5	4.31	4.31	3
1437SSB	1437S16B	2	6	4	4.75	3.13	6.5	2.96	5.25	7	4.31	6.31	4
1437SSC	1437S16C	3	8	4	4.75	3.13	8.5	2.96	7.25	9	4.31	8.31	5
1437SSD	1437S16D	4	10	4	4.75	3.13	10.5	2.96	9.25	11	4.31	10.31	5
1437SSS	1437S16S	16	11.75	10.75	4.75	9.88	12.25	9.71	11	12.75	11.06	12.06	10

¹ not hinged