

1447A Single Door Disconnect Enclosures - NEMA 12, 13

Allen Bradley



**Inner
Panel
Included**



Disconnect Enclosures
Wallmount Enclosures

Application

- Designed to house **Allen Bradley** 1494F flange mounted disconnect switches and 1494D flange mounted circuit breaker operators (will not accept Allen Bradley 1494V disconnect switches).
- Provides a degree of protection from falling dirt, dust, oil and water.

Standards

- UL 508 Type 12, 13
- CSA Type 12, 13
- **Complies with**
 - NEMA Type 12, 13
 - JIC EGP-1-1967
 - IEC 529, IP65
- Appropriate components are required to maintain these standards.

Construction

- Formed 14 gauge steel.
- Continuously welded seams.
- Larger sizes include door and body stiffeners.
- Welded brackets provide for enclosure mounting.
- Formed lip on door and enclosure exclude flowing liquids and contaminants.
- Cutouts and holes are provided to suit the handle, operating mechanism and door closing mechanism.

- Continuously hinged doors may be removed by pulling the hinge pin.
- Guide and cover interlock brackets are welded to the door.
- Cover latch bars for door hardware are provided.
- A spacer kit to support the disconnect on the panel is included.
- Collar studs are provided for mounting inner panels.
- A removable 12 gauge inner panel is included.
- Oil resistant gaskets are permanently secured and mechanically retained.
- A bonding stud is provided on the door and a grounding stud is provided in the enclosure.
- A literature pocket is provided.

Note

- Disconnects, operating mechanisms, and door hardware are not provided with the enclosure, and must be ordered separately from the manufacturer.
- Enclosures with an "A" dimension under 40" require 2 point door closing hardware. Order one Allen Bradley 1494F-L1.
- Enclosures with an "A" dimension of 40" or more require a 3 point door closing mechanism. Order one Allen Bradley 1494F-L2 and one 1494F-L3.

- Enclosures 1447A K122 and 1447A L122 accept a 200 A switch only. This switch will not fit in any other 1447A Series Enclosure. Order Allen Bradley 1494F-L4 door hardware for 1447A K122 and 1447A L122 enclosures.

Finish

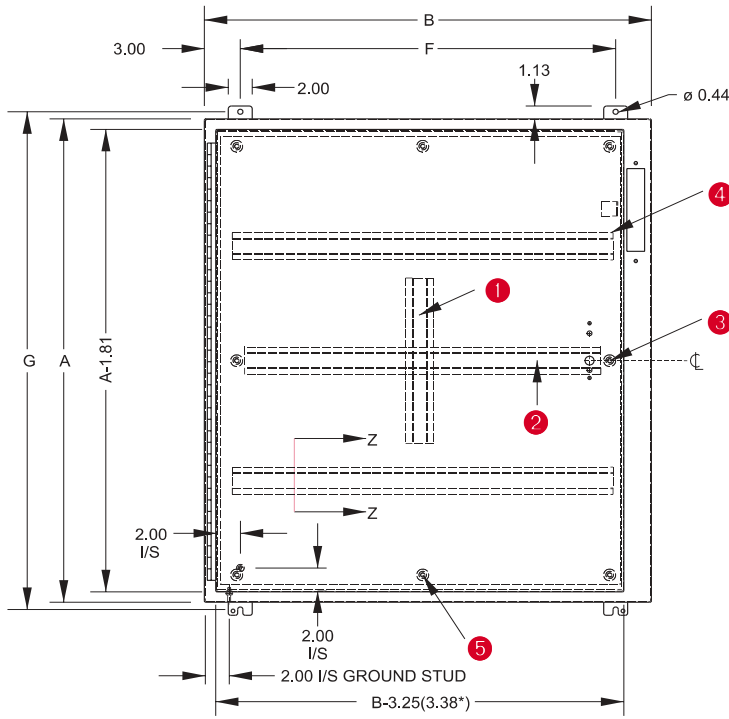
- Door and enclosure are phosphatized and finished in ANSI/ASA 61 gray recoatable powder coating on the outside.
- Enclosure interior is finished in white powder coating.
- Inner panel is finished in white powder coating.

Accessories

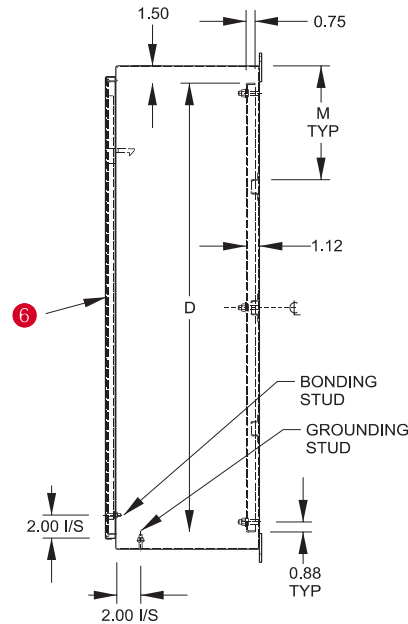
- Additional inner panels...*see page 384*
- Air conditioners...*see page 348-357*
- Blowers...*see page 359*
- Breather kits...*see page 374*
- Door stop kits...*see page 393*
- Drip shield kits...*see page 393*
- Enclosure stabilizers...*see page 397*
- Filter fans...*see page 360-367*
- Floor stand kits...*see page 34*
- Heaters...*see page 369-371*
- Thermostats...*see page 374*
- Window kits...*see page 391*

1447A Single Door Disconnect Enclosures - NEMA 12, 13

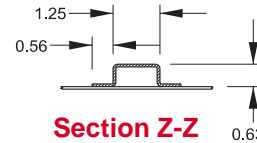
Allen Bradley



Front View

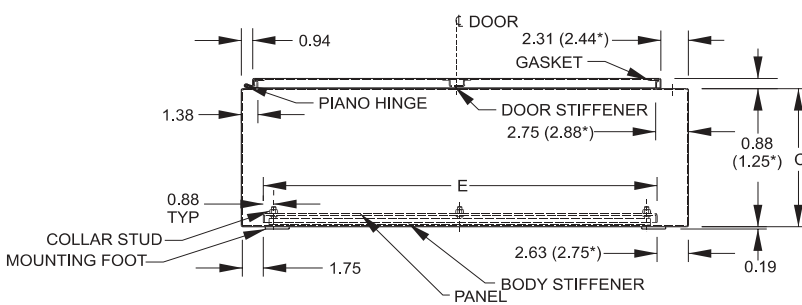


Side View



Section Z-Z

	When A=	M=
	36	9.00
	42	9.88
	48	11.38
	60	14.38



Top View

- 1 Vertical body stiffener req'd on 1447AG only.
- 2 Omit center body stiffener if A is less than 41".
- 3 Omit 2 middle studs if A is less than 31".
- 4 Omit body stiffeners if B is 28" or less.
- 5 Omit 2 middle studs if B is less than 32".
- 6 Omit door stiffener if B is 32" or less except if Ax B is 42"x31.38".

* Bracketed numbers are for AK122 and AL122.

Part No.	Dimensions			Panel Size				Mtg. Centers	Ship Wt. lbs.
	A	B	C	D	E	F	G		
1447AA8	20	21.38	8	17	17	15.38	21.25	55	
1447AB8	24	21.38	8	21	17	15.38	25.25	61	
1447AC8	24	25.38	8	21	21	19.38	25.25	67	
1447AD8	30	21.38	8	27	17	15.38	31.25	74	
1447AE8	30	25.38	8	27	21	19.38	31.25	85	
1447AF8	36	25.38	8	33	21	19.38	37.25	100	
1447AG8	36	31.38	8	33	27	25.38	37.25	123	
1447AH8	42	31.38	8	39	27	25.38	43.25	137	
1447AJ8	42	37.38	8	39	33	31.38	43.25	186	
1447AK8	48	37.38	8	45	33	31.38	49.25	211	
1447AL8	60	37.38	8	57	33	31.38	61.25	245	
1447AB10	24	21.38	10	21	17	15.38	25.25	68	
1447AC10	24	25.38	10	21	21	19.38	25.25	75	
1447AD10	30	21.38	10	27	17	15.38	31.25	78	
1447AE10	30	25.38	10	27	21	19.38	31.25	90	

Part No.	Dimensions			Panel Size				Mtg. Centers	Ship Wt. lbs.
	A	B	C	D	E	F	G		
1447AF10	36	25.38	10	33	21	19.38	37.25	110	
1447AG10	36	31.38	10	33	27	25.38	37.25	125	
1447AH10	42	31.38	10	39	27	25.38	43.25	137	
1447AJ10	42	37.38	10	39	33	31.38	43.25	189	
1447AK10	48	37.38	10	45	33	31.38	49.25	211	
1447AL10	60	37.38	10	57	33	31.38	61.25	257	
1447AG12	36	31.38	12	33	27	25.38	37.25	125	
1447AH12	42	31.38	12	39	27	25.38	43.25	137	
1447AJ12	42	37.38	12	39	33	31.38	43.25	189	
1447AK12	48	37.38	12	45	33	31.38	49.25	211	
1447AL12	60	37.38	12	57	33	31.38	61.25	257	
1447AK16	48	37.38	16	45	33	31.38	49.25	211	
1447AL16	60	37.38	16	57	33	31.38	61.25	257	
1447AK122	48	37.50	12	45	33	31.50	49.25	250	
1447AL122	60	37.50	12	57	33	31.50	61.25	265	

Disconnect Enclosures
Wallmount Enclosures

1447A Single Door Disconnect Enclosures - NEMA 12, 13

Allen Bradley

Disconnect Ordering Information

Allen Bradley

Bulletin 1494F flange mounted disconnect switch:

- disconnect switch
- fuse block adaptor (if required)
- line and load connectors (if required)
- door hardware
 - Enclosures with an "A" dimension under 40" require two point door latching hardware, order: one Allen Bradley 1494F-L1.
 - Enclosures with an "A" dimension of 40" or more require a 3 point door latching mechanism, order: one Allen Bradley 1494F-L2 and one 1494F-L3.
 - Exception: Order Allen Bradley 1494F-L4 door hardware for 1447A K122 and 1447A L122.

1494D flange mounted circuit breaker operating mechanism:

- circuit breaker C-H Westinghouse
- operating mechanism
- slide mechanism
- door hardware
 - Enclosures with an "A" dimension under 40" require two point door latching hardware, order: one Allen Bradley 1494F-L1.
 - Enclosures with an "A" dimension of 40" or more require a 3 point door latching mechanism, order: one Allen Bradley 1494F-L2 and one 1494F-L3.

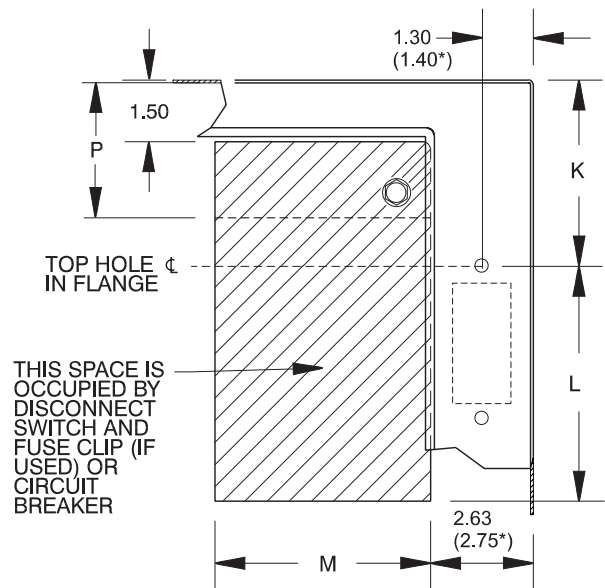
Space Occupied by Disconnect

Note: "K" = 3.84 when "C" = 8.00
 "K" = 6.75 when "C" = 10.00
 "K" = 9.50 when "C" = 12.00
 (except enclosures for 200A switches)
 "K" = 9.50 when "C" = 16.00
 "K" = 10.50 when "C" = 12.00
 (for enclosures with 200A switches)
 "P" = Wiring Space

Disconnects will occupy space on panel shown by dimensions "K", "L" and "M".

Wiring space "P" is available when disconnect is installed in the enclosure.

*The disconnect information and space occupied tables based on data supplied by disconnect manufacturer's bulletins. Hammond Manufacturing is not responsible for dimensional accuracy.



*BRACKETED NUMBERS ARE FOR AK122 AND AL122

1447A Single Door Disconnect Enclosures - NEMA 12, 13

Allen Bradley

Allen Bradley 1494F Disconnect Switches

Fits Enclosure Depth				Allen-Bradley Type No.	Amp Rating	Fuse Clip	Fuse Class	Space Occupied		When K=3.84 P	When K=6.75 P	When K=9.50 P
8	10	12	16					L	M ¹			
•	•	•	•	N30	30A	No Fuse	—	4.62	6.25	3.25	6.25	8.88
•	•	•	•	NF30	30A	30A-250V	H, K, R	6.25	6.25	3.25	6.25	8.88
•	•	•	•	NF30	30A	60A-250V	H, K, R	7.25	6.25	3.25	6.25	8.88
•	•	•	•	NF30	30A	30A-600V	H, K, R	9.25	6.25	3.25	6.25	8.88
•	•	•	•	NF30	30A	60A-600V	H, K, R	9.75	6.25	3.25	6.25	8.88
•	•	•	•	NF30	30A	30A-600V	J	6.50	6.25	3.25	6.25	8.88
•	•	•	•	NF30	30A	60A-600V	J	6.62	6.25	3.25	6.25	8.88
•	•	•	•	N60	60A	No Fuse	—	4.62	6.25	2.50	5.25	8.12
•	•	•	•	NF60	60A	30A-600V	H, K, R	10.38	6.25	2.50	5.25	8.12
•	•	•	•	NF60	60A	60A-250V	H, K, R	8.38	6.25	2.50	5.25	8.12
•	•	•	•	NF60	60A	100A-250V	H, K, R	10.88	6.25	2.50	5.25	8.12
•	•	•	•	NF60	60A	60A-600V	H, K, R	10.88	6.25	2.50	5.25	8.12
•	•	•	•	NF60	60A	100A-600V	H, K, R	12.88	6.38	2.50	5.25	8.12
•	•	•	•	NF60	60A	60A-600V	J	7.75	6.25	2.50	5.25	8.12
•	•	•	•	NF60	60A	100A-600V	J	9.75	6.25	2.50	5.25	8.12
•	•	•	•	N100	100A	No Fuse	—	4.62	7.00	—	3.50	6.25
•	•	•	•	NF100	100A	100A-250V	H, K, R	11.38	7.00	—	3.50	6.25
•	•	•	•	NF100	100A	200A-250V	H, K, R	12.25	7.25	—	3.50	6.25
•	•	•	•	NF100	100A	100A-600V	H, K, R	13.38	7.12	—	3.50	6.25
•	•	•	•	NF100	100A	200A-600V	H, K, R	14.75	7.38	—	3.50	6.25
•	•	•	•	NF100	100A	100A-600V	J	10.12	7.00	—	3.50	6.25
•	•	•	•	NF100	100A	200A-600V	J	10.88	7.25	—	3.50	6.25
			²	N200	200A	No Fuse	—	7.12	10.00	—	—	7.00
			²	NF200	200A	200A-250V	H, K, R	15.00	10.00	—	—	7.00
			²	NF200	200A	400A-250V	H, K, R	16.56	10.38	—	—	7.00
			²	NF200	200A	200A-600V	H, K, R	17.56	10.00	—	—	7.00
			²	NF200	200A	400A-600V	H, K, R	19.56	10.62	—	—	7.00
			²	NF200	200A	200A-600V	J	13.69	10.00	—	—	7.00
			²	NF200	200A	400A-600V	J	15.00	10.25	—	—	7.00

¹ "M" dimension does not allow for auxiliary switches. Refer to Allen Bradley instructions if additional space is required.

² 200 A switches can only be installed in Hammond Enclosures 1447AK122 and 1447AL122.
K=10.50" for these 12.00" enclosures

Allen Bradley 1494D Circuit Breaker Operators

Fits Enclosure Depth				Allen-Bradley Type No.	Frame Rating	Frame Breaker Type	Frame Size (3 Pole)	Space Occupied		When K=3.84 P	When K=6.75 P	When K=9.50 P
8	10	12	16					L	M			
•	•	•	•	N4/N40	150A	C-H Westinghouse	EHD,FD,FDB,FDC,HFD,HMCP	5.81	4.31	3.25	6.12	8.88
•	•	•	•	N5/N50	250A	C-H Westinghouse	JD,JDB,JDC,HJD,HMCP	8.81	4.50	—	5.31	8.06
•	•	•	•	N5/N60	400A	C-H Westinghouse	KD,KDB,DK,HKD,HMCP	8.81	5.62	—	5.44	8.19

1447SN4 Single Door Disconnect Enclosures - NEMA 4

ABB Controls, Allen Bradley, Cutler Hammer, General Electric, I-T-E Max-Flex™, Square D



Inner
Panel
Included



Application

Designed to house the following safety disconnect equipment:

- **ABB Controls** flange-mounted variable depth operating mechanism for disconnect switches and circuit breakers.
- **Allen Bradley** 1494V variable depth flange mounted disconnect switches and circuit breaker operators NEMA 4 rated. Will not accept Allen Bradley 1494F disconnect switches, 1494D circuit breaker operators or 1494V-R1, -R2, or -W2 operating handles.
- **C-H Westinghouse** C361 variable depth flange mounted disconnect switches and C371 circuit breaker operators, and also Flex-Shaft™ handle mechanism for circuit breakers. Use Cutler Hammer NEMA 4 rated operating handles to maintain NEMA 4 integrity.
- **General Electric** Type STDA flange handles and variable depth operating mechanism for disconnect switches and circuit breakers. Also Spectra-Flex™ cable operators for circuit breakers.
- **I-T-E Max-Flex™** flange mounted variable depth handles for disconnect switches and circuit breakers. Use handle for NEMA 4.

- **Square D** class 9422 disconnect switches with flange-mounted variable depth operating mechanisms or cable mechanisms and Class 9422 flange-mounted variable depth operating mechanisms or cable mechanisms for circuit breakers. SN4 enclosures will not accept Square D Class 9422 bracket-mounted disconnect devices, 9422TG1 or TG2 devices.
- Collar studs are provided for mounting inner panels.
- A removable 12 gauge inner panel is included.
- Oil resistant gaskets are permanently secured and mechanically retained.
- A bonding stud is provided on the door and a grounding stud is provided in the enclosure.
- A literature pocket is provided for the inside of the door.

Standards

- UL 508 Type 3R, 4
- CSA Type 3R, 4
- **Complies with**
 - NEMA Type 3R, 4, 12
 - JIC EGP-1-1967
 - IEC 529, IP66
- Appropriate components are required to maintain these standards.

Construction

- Formed 14 gauge steel.
- Continuously welded seams.
- Larger sizes include door and body stiffeners.
- Welded brackets provide for enclosure mounting.
- Formed lip on door and enclosure exclude flowing liquids and contaminants.
- Cutouts and holes are provided to suit the flange handle operating mechanism.
- Continuously hinged doors may be removed by pulling the hinge pin.
- Door is secured with easily operated steel clamps.
- Cover interlock bracket is welded to the door.

Note:

- Disconnects and operating mechanisms are not provided with the enclosure, and must be ordered separately from the manufacturer.

Finish

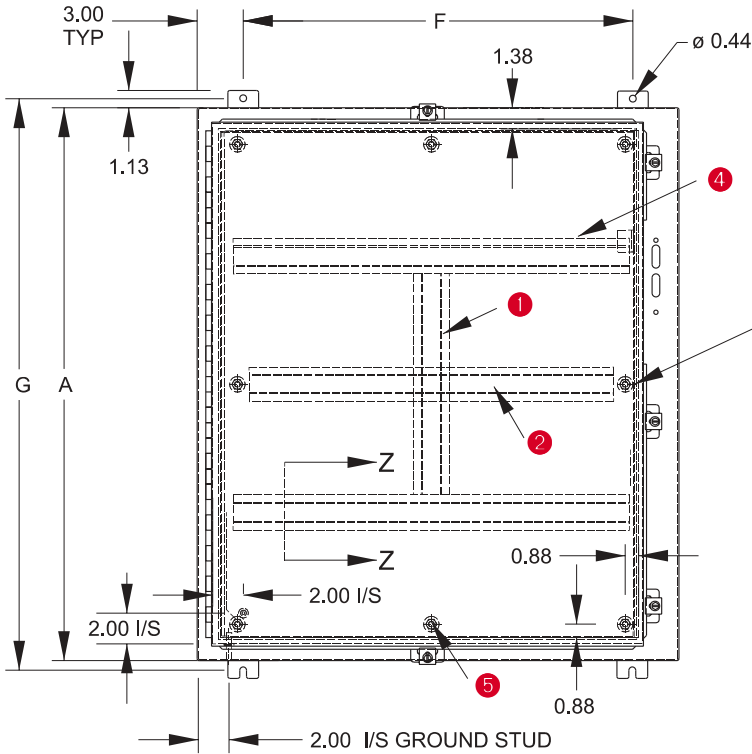
- Door and enclosure are phosphatized and finished in ANSI/ASA 61 gray powder coating.
- Inner panel is finished in white powder coating.

Accessories

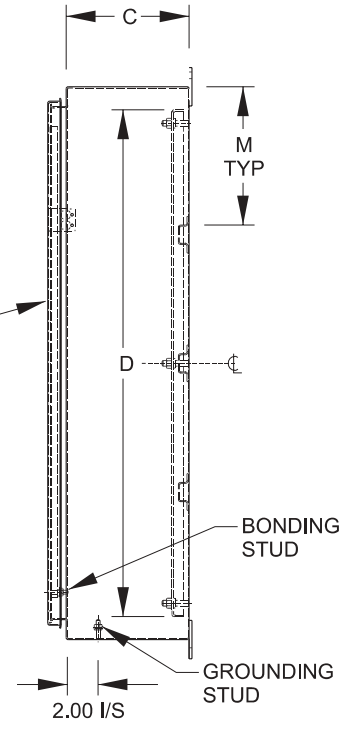
- Additional inner panels...see page **384**
- Air conditioners...see page **348-357**
- Blowers...see page **359**
- Breather kits...see page **374**
- Door stop kits...see page **393**
- Drip shield kits...see page **393**
- Enclosure stabilizers...see page **397**
- Filter fans...see page **360-367**
- Floor stand kits...see page **394**
- Heaters...see page **369-371**
- Thermostats...see page **374**
- Window kits...see page **391**

1447SN4 Single Door Disconnect Enclosures - NEMA 4

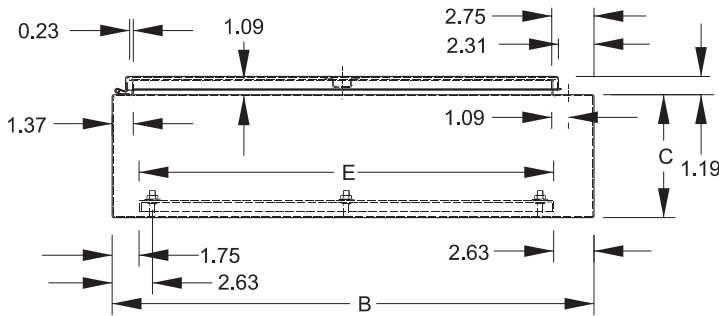
ABB Controls, Allen Bradley, Cutler Hammer, General Electric, I-T-E Max-Flex™, Square D



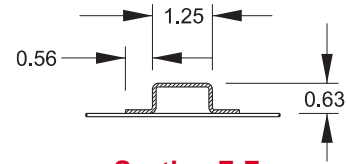
Front View



Formed View



Top View



Section Z-Z

- ❶ Vertical body stiffener req'd on 1447SN4G8 only.
- ❷ Omit center body stiffener if A is less than 41".
- ❸ Omit 2 middle studs if A is less than 31".
- ❹ Omit body stiffeners if B is 28" or less.
- ❺ Omit 2 middle studs if B is less than 32".
- ❻ Omit door stiffener if B is 32" or less except if AxB is 42"x31.38".

Note: Number of door clamps varies to enclosure size.

When A=	M=
36	9.00
42	9.88
48	11.38
60	14.38

Part No.	A	B	C	Panel Size		Mounting Centers		Ship Wt. lbs.
				D	E	F	G	
1447SN4B8	24	21.38	8	21	17	15.38	25.25	60
1447SN4C8	24	25.38	8	21	21	19.38	25.25	73
1447SN4E8	30	25.38	8	27	21	19.38	31.25	90
1447SN4F8	36	25.38	8	33	21	19.38	37.25	100
1447SN4G8	36	31.38	8	33	27	25.38	37.25	123
1447SN4H12	42	31.38	12	39	27	25.38	43.25	152
1447SN4J12	42	37.38	12	39	33	31.38	43.25	200
1447SN4K12	48	37.38	12	45	33	31.38	49.25	220
1447SN4L12	60	37.38	12	57	33	31.38	61.25	265

1447S Single Door Disconnect Enclosures - NEMA 12, 13

ABB Controls, Allen Bradley, Cutler Hammer, General Electric, I-T-E Max-Flex™, Square D



Application

Designed to house the following safety disconnect equipment:

- **ABB Controls** flange-mounted variable depth operating mechanism for disconnect switches and circuit breakers.
- **Allen Bradley** 1494V variable depth flange mounted disconnect switches and circuit breaker operators. Will not accept Allen Bradley 1494F disconnect switches, 1494D circuit breaker operators.
- **C-H Westinghouse** C361 flange mounted variable depth operating mechanism with disconnect switches and C371 flange mounted variable depth operating mechanisms for circuit breakers. Also Flex-Shaft™ handle mechanisms for circuit breakers.
- **General Electric** Type STDA flange handles and variable depth operating mechanism for disconnect switches and circuit breakers. Also Spectra-Flex™ cable operators for circuit breakers.
- **I-T-E Max-Flex™** flange mounted variable depth handles for disconnect switches and circuit breakers.
- **Square D** class 9422 disconnect switches with flange mounted variable depth operating mechanisms or cable mechanisms and Class 9422 flange-mounted variable depth operating mechanisms or cable mechanisms for circuit breakers. Will not accept Square D Class 9422 bracket-mounted disconnect devices, 9422TG1 or TG2 devices.

Standards

- UL 508 Type 12, 13
- CSA Type 12, 13
- **Complies with**
 - NEMA Type 12 and 13
 - JIC EGP-1-1967
 - IEC 529, IP65
- Appropriate components are required to maintain these standards.

Construction

- Formed 14 gauge steel.
- Continuously welded seams.
- Larger sizes include door and body stiffeners.
- Welded brackets provide for enclosure mounting.
- Formed lip on door and enclosure exclude flowing liquids and contaminants.
- Cutouts and holes are provided to suit the handle, operating mechanism and door closing mechanism.
- Continuously hinged doors may be removed by pulling the hinge pin.
- Latch pivots and cover interlock brackets are welded to the door.
- Cover latch bars for door handles are provided.
- Collar studs are provided for mounting inner panels.
- A removable 12 gauge inner panel is included.
- Oil resistant gaskets are permanently secured and mechanically retained.
- A bonding stud is provided on the door and a grounding stud is provided in the enclosure.
- A literature pocket is provided.

Note:

- Disconnects, operating mechanisms and door hardware are not provided with the enclosure, and must be ordered separately from the manufacturer.
- Enclosures with an "A" dimension under 40" require 2 point door closing hardware.
- Enclosures with an "A" dimension 40" or more require 3 point door closing hardware.

Finish

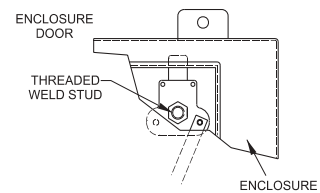
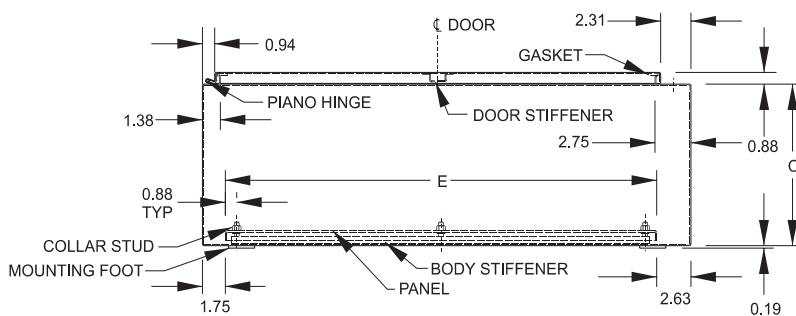
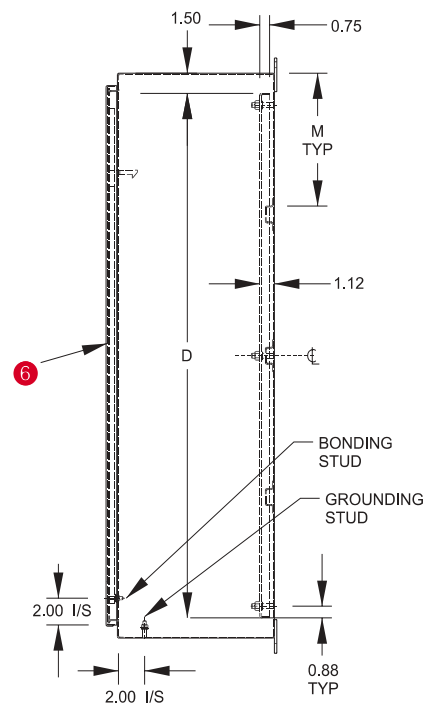
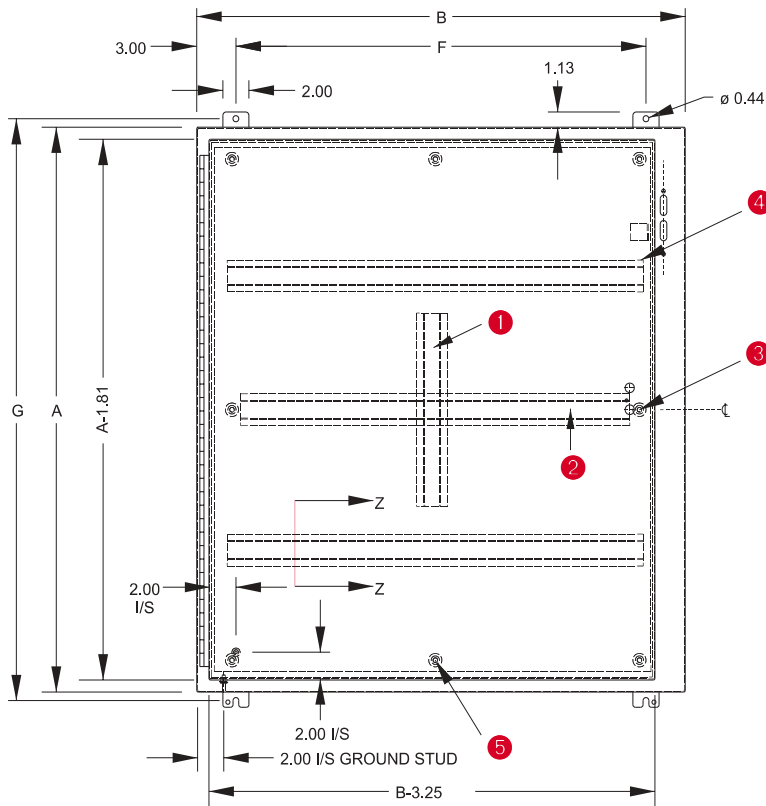
- Door and enclosure are phosphatized and finished in ANSI/ASA 61 gray recoatable powder coating on the outside.
- Enclosure interior is finished in white powder coating.
- Inner panel is finished in white powder coating.

Accessories

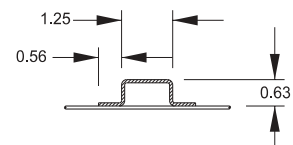
- Additional inner panels...see page **384**
- Air conditioners...see page **348-357**
- Blowers...see page **359**
- Breather kits...see page **374**
- Door stop kits...see page **393**
- Drip shield kits...see page **393**
- Enclosure stabilizers...see page **397**
- Filter fans...see page **360-367**
- Floor stand kits...see page **394**
- Heaters...see page **369-371**
- Thermostats...see page **374**
- Window kits...see page **391**

1447S Single Door Disconnect Enclosures - NEMA 12, 13

ABB Controls, Allen Bradley, Cutler Hammer, General Electric, I-T-E Max-Flex™, Square D



Catching top of enclosure only



Disconnect Enclosures
Wallmount Enclosures

When A=	M=
36	9.00
42	9.88
48	11.38
60	14.38

- 1 Vertical body stiffener req'd on 1447SG only.
- 2 Omit center body stiffener if A is less than 41".
- 3 Omit 2 middle studs if A is less than 31".
- 4 Omit body stiffeners if B is 28" or less.
- 5 Omit 2 middle studs if B is less than 32".
- 6 Omit door stiffener if B is 32" or less except if AxB is 42"x31.38".

1447S Single Door Disconnect Enclosures - NEMA 12, 13

ABB Controls, Allen Bradley, Cutler Hammer, General Electric, I-T-E Max-Flex™, Square D

Part No.	Panel Size			Mounting Center		Ship Wt. lbs	Center Stiffener ²		
	A	B	C	D	E			F	G
1447SA8	20	21.38	8	17	17	15.38	21.25	51	N
1447SB8	24	21.38	8	21	17	15.38	25.25	60	N
1447SC8	24	25.38	8	21	21	19.38	25.25	71	N
1447SD8	30	21.38	8	27	17	15.38	31.25	74	N
1447SE8	30	25.38	8	27	21	19.38	31.25	87	N
1447SF8	36	25.38	8	33	21	19.38	37.25	98	N
1447SG8	36	31.38	8	33	27	25.38	37.25	121	N
1447SH8	42	31.38	8	39	27	25.38	43.25	135	I
1447SJ8	42	37.38	8	39	33	31.38	43.25	154	I
1447SK8	48	37.38	8	45	33	31.38	49.25	172	I
1447SL8	60	37.38	8	57	33	31.38	61.25	248	I
1447SA10	20	21.38	10	17	17	15.38	21.25	52	N
1447SB10	24	21.38	10	21	17	15.38	25.25	63	N
1447SC10	24	25.38	10	21	21	19.38	25.25	71	N
1447SD10	30	21.38	10	27	17	15.38	31.25	80	N
1447SE10	30	25.38	10	27	21	19.38	31.25	90	N
1447SF10	36	25.38	10	33	21	19.38	37.25	100	N
1447SG10	36	31.38	10	33	27	25.38	37.25	126	N
1447SH10	42	31.38	10	39	27	25.38	43.25	143	I
1447SJ10	42	37.38	10	39	33	31.38	43.25	193	I
1447SK10	48	37.38	10	45	33	31.38	49.25	180	I
1447SL10	60	37.38	10	57	33	31.38	61.25	255	I
1447SE12	30	25.38	12	27	21	19.38	31.25	100	N
1447SG12	36	31.38	12	33	27	25.38	37.25	130	N
1447SH12	42	31.38	12	39	27	25.38	43.25	150	I
1447SJ12	42	37.38	12	39	33	31.38	43.25	200	I
1447SK12	48	37.38	12	45	33	31.38	49.25	220	I
1447SL12	60	37.38	12	57	33	31.38	61.25	265	I
1447S46L12	60	37.38	12	57	34.5	31.38	61.25	265	I
1447SG16	36	31.38	16	33	27	25.38	37.25	150	N
1447SK16	48	37.38	16	45	33	31.38	49.25	200	I
1447SL16	60	37.38	16	57	33	31.38	61.25	265	I

² Center stiffener; N = Not Included I = Included

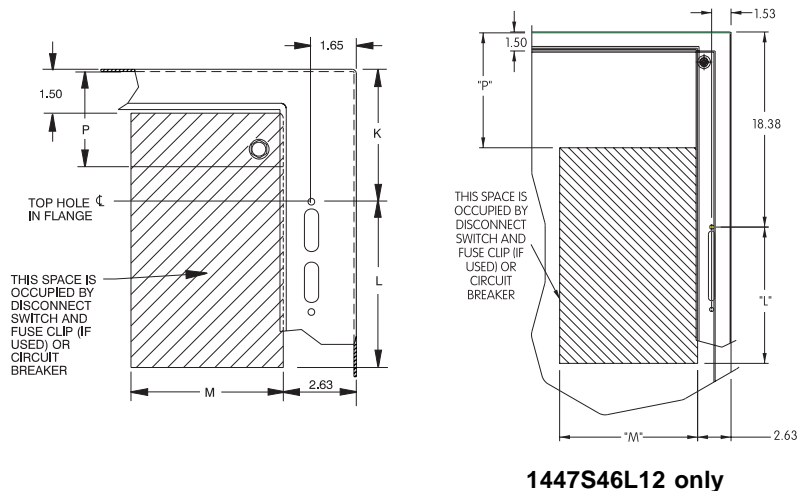
Space Occupied by Disconnect

Note: "K" = 4.75 when "C" = 8.00
 "K" = 7.09 when "C" = 10.00
 "K" = 11.62 when "C" = 12.00
 "K" = 11.62 when "C" = 16.00
 "K" = 18.38 for 1447S46L12
 "P" = Wiring Space

Disconnects will occupy space on panel shown by dimensions "K", "L" and "M".

Wiring space "P" is available when disconnect is installed in the enclosure.

*The disconnect information and space occupied tables based on data supplied by disconnect manufacturer's bulletins. Hammond Manufacturing not responsible for dimensional accuracy.



1447S Single Door Disconnect Enclosures - NEMA 12, 13

ABB Controls, Allen Bradley, Cutler Hammer, General Electric, I-T-E Max-Flex™, Square D

Disconnect Ordering Information

ABB Controls

Disconnect switch:

- flange operated switch (fusible or non-fusible)
- shaft:
 - 8", 10", & 12" deep enclosure, use DSFHS-12
 - 16" deep enclosures, use DSFHS-17
- handle : DSFHN-HS12
- door hardware (as required) :
 - FH-DHK for 2 point latching
 - FH-DHK and FH-3RL for 3 point latching

Circuit breaker:

- circuit breaker: ABB
- operating mechanism see ABB chart
- shaft:
 - 8", 10", & 12" deep enclosures, use K7FHD-S12
 - 16" deep, enclosures use K7FHD-S17
- handle mechanism: K7FHD-HS12
- door hardware (as required) :
 - FH-DHK for 2 point latching
 - FH-DHK and FH-3RL for 3 point latching

Allen Bradley

Bulletin 1494V flange mounted disconnect switch:

- disconnect switch and operating mechanism: Bulletin 1494V
- operating handle: Bulletin 1494V-H1
- operating handle: Bulletin: 1494V-H2 for 1447S46L12
- connecting rod:
 - 8" & 10" deep enclosure, use 1494V-RA1
 - 12" deep enclosure, use 1494V-RA2
 - 12" deep 1447S46L12 enclosure use 1494V-RB2 (2)
 - 16" deep enclosure, use 1494V-RA2
- trailer fuse block kit (if required), Bulletin 1494V
- fuse kit (if required)
- line and load connectors (if required)
- door hardware (as required):
 - Bulletin 1494V-L1 for 2 point latching
 - Bulletin 1494V-L1 and 1494V-L2 for 3 point latching

Bulletin 1494V flange mounted circuit breaker operating mechanism:

- circuit breaker: C-H Westinghouse
- operating mechanism: Bulletin 1494V
- operating handle: Bulletin 1494V-H11
- connecting rod:
 - 8" & 10" deep enclosure, use 1494V-RA1
 - 12" deep enclosure, use 1494V-RA2
 - 16" deep enclosure, use 1494V-RA2
- door hardware (as required):
 - Bulletin 1494V-L1 for 2 point latching
 - Bulletin 1494V-L1 and 1494V-L2 for 3 point latching

Note: ¹ To determine door latching requirements (2 or 3 point latching) please see notes under construction information.

Cutler Hammer

Type C361 disconnect switch:

- disconnect switch and operating mechanism
- operating handle C361-H1 or H3
- door hardware (as required¹):
 - C361KJ4 or C361KJ6 for 2 point latching
 - C361KJ4 or C361KJ6 and C361KR for 3 point latching

Type C371 circuit breaker:

- circuit breaker: C-H Westinghouse
- operating mechanism
- operating handle:
 - 150 amp - C371H1 or C371H3
 - 250 through 600 amp - C371H5 or C371H7
- door hardware (as required¹):
 - C361KJ4 or C361KJ6 for 2 point latching
 - C361KJ4 or C361KJ6 and C361KR for 3 point latching

C-H Westinghouse circuit breaker with Flex-Shaft™ handle mechanism:

- circuit breaker
- complete Flex-Shaft™ handle mechanism
- door hardware (as required¹):
 - C361KJ4 or C361KJ6 for 2 point latching
 - C361KJ4 or C361KJ6 and C361KR for 3 point latching

General Electric

Type STDA flange mounted disconnect switch:

- disconnect switch: Type QMR or QMW
- operating handle: STDA1 or STDA2
- fuse kit (if required)
- variable depth operating mechanism
- door hardware (as required¹):
 - TDV-1 for 2 point latching
 - TDV-1 and TDV-3 for 3 point latching

Type STDA flange mounted circuit breaker:

- circuit breaker
- operating handle: STDA1 or STDA2
- variable depth operating mechanism
- door hardware (as required¹):
 - TDV-1 for 2 point latching
 - TDV-1 and TDV-3 for 3 point latching

Circuit breaker with Spectra-Flex™ cable operator:

- circuit breaker
- flange mounted handle mechanism:
 - 150 to 600 amps - STDA1
 - SK1200 - STDA3
- breaker mounted mechanism
- operating cable
- door hardware (as required¹):
 - TDV-1 for 2 point latching
 - TDV-1 and TDV-3 for 3 point latching

I-T-E Siemens

Max-Flex™ flange mounted operating mechanism and disconnect switch:

- disconnect switch: MCS
- fuse kit (if required)
- flange mounted handle: FHOHS
- switch operator mechanism
- operating cable (standard 36.00")
- door hardware (as required¹):
 - DKR2 for 2 point latching
 - DKR3 for 3 point latching

Max-Flex™ flange mounted operating mechanism and circuit breaker:

- circuit breaker
- pressure wire connectors
- flange mounted handle: FHOH
- flange mounted handle: FHOHN for 1447S46L12
- circuit breaker operator mechanism
- operating cable:
 - 25 to 600A - 36"
 - 800A - 48"
- door hardware (as required¹):
 - DKR2 for 2 point latching
 - DKR3 for 3 point latching as required

Square D

Class 9422 disconnect switch:

- disconnect switch and operating mechanism: Class 9422
- handle mechanism: Type A-1
- door hardware (as required¹):
 - Class 9423-M4 or M9 for 2 point latching
 - Class 9423-M4 or M9 and 9423-M3 for 3 point latching

Class 9422 circuit breaker:

- circuit breaker
- operating mechanism
- handle mechanism: Type A-1
- door hardware (as required¹):
 - Class 9423-M4 or M9 for 2 point latching
 - Class 9423-M4 or M9 and 9423-M3 for 3 point latching

Class 9422 Type "T" disconnect switch with cable mechanism:

- disconnect switch and operating mechanism: Class 9422, Type T
- handle mechanism: Class 9422 Type A-1
- cable mechanism: Class 9422 CFT_O - 3, 5 or 10 foot
- door closing mechanism (as required¹):
 - Class 9423 Type M4 for 2 point latching
 - Class 9423 Type M9 or M4 and Class 9423 Type M3 for 3 point latching

Circuit breaker with cable mechanism:

- circuit breaker: Square D
- handle mechanism: Class 9422 Type A-1
- cable mechanism: Class 9422 CFT_O - 3, 5 or 10 foot
- door closing mechanism (as required¹):
 - Class 9423 Type M4 for 2 point latching
 - Class 9423 Type M9 or M4 and Class 9423 Type M3 for 3 point latching

1447S Single Door Disconnect Enclosures - NEMA 12, 13

ABB Controls, Allen Bradley, Cutler Hammer, General Electric, I-T-E Max-Flex™, Square D

ABB Controls

ABB Controls Disconnect Switches (Flange Mounted Operators)

Fits Enclosure Depth				ABB Switch Number	Amp Rating	Fuse Clip	Fuse Class	Space Occupied		When	When	When
8	10	12	16					L	M	K=4.75 P	K=7.09 P	K=11.62 P
•	•	•	•	OETL-NF30-F	30A	No Fuse	—	4.78	7.75	4.74	7.08	11.61
•	•	•	•	OETL-NF60-F	60A	No Fuse	—	4.78	7.43	4.74	7.08	11.61
•	•	•	•	OETL-NF100-F	100A	No Fuse	—	5.22	8.81	4.31	6.65	11.18
	•	•	•	OETL-NF175-F	175A	No Fuse	—	5.07	7.71		5.76	10.29
	•	•	•	OETL-NF200-F	200A	No Fuse	—	5.07	8.50		5.76	10.29
•	•	•		OESA-F30J6-F	30A	30A-600V	J	4.78	7.75	4.74	7.08	11.61
•	•	•	•	OESA-F60J6-F	60A	60A-600V	J	4.78	7.43	4.74	7.08	11.61
•	•	•	•	OESA-F100J6-F	100A	100A-600V	J ¹	5.22	8.81	4.31	6.65	11.18
					200A ²							

¹ J type fuse clips are standard. If 600 V Type "T" fuse clips are desired order T type fuse adaptor kit.

² 200 A available by using non-fusible 200A switch and a trailing fuse block. (consult ABB)

ABB Controls Circuit Breaker (Flange Mounted Operators)

Fits Enclosure Depth				ISOMAX Circuit Breaker	Amp Rating	Operating Mechanism	Space Frame Type	When Occupied		When	When	When
8	10	12	16					L	M	K=4.75 P	K=7.09 P	K=11.62 P
•	•	•	•	S1N100TL	100A	K2FHD-M	S1	5.30	4.60	5.26	7.60	12.13
	•	•	•	S3N150TW	150A	K3FHD-M	S3	6.67	5.02		7.00	11.53
	•	•	•	S3N225TW	225A	K3FHD-M	S3	6.67	5.02		7.00	11.53
	•	•	•	S4N250BW	250A	K4FHD-M	S4	8.45	5.02		5.47	10.00
	•	•	•	S5N400TW	400A	K5FHD-M	S5	8.45	6.40		5.47	10.00
		•	•	S6N600TW	600A	K6FHD-M	S6	8.33	10.00			9.33
		•	•	S6N800TW	800A	K6FHD-M	S6	8.33	10.00			9.33

Charts reference Space Occupied by Disconnect Drawing...see page 149.

1447S Single Door Disconnect Enclosures - NEMA 12, 13

ABB Controls, Allen Bradley, Cutler Hammer, General Electric, I-T-E Max-Flex™, Square D

Allen Bradley

Allen Bradley 1494V Disconnect Switches

Fits Enclosure Depth				Allen Bradley Type Number	Amp Rating	Fuse Clip	Fuse Class	Space Occupied		When K=4.75	When K=7.09	When K=11.62
8	10	12	16					L	M ¹	P	P	P
•	•	•	•	DS30	30A	No Fuse	—	3.88	6.62	2.88	5.25	9.75
•	•	•	•	DS30	30A	30A-250V	H,K,R	5.25	6.62	2.88	5.25	9.75
•	•	•	•	DS30	30A	30A-600V	H,K,R	8.00	6.62	2.88	5.25	9.75
•	•	•	•	DS30	30A	30A-600V	J	5.25	6.62	2.88	5.25	9.75
•	•	•	•	DS30	30A	60A-250V	H,K	6.00	6.62	2.88	5.25	9.75
•	•	•	•	DS30	30A	60A-600V	H,K	8.50	6.62	2.88	5.25	9.75
•	•	•	•	DS30	30A	60A-600V	J	5.38	6.62	2.88	5.25	9.75
•	•	•	•	DS60	60A	No Fuse	—	3.88	6.62	2.75	5.12	9.62
•	•	•	•	DS60	60A	60A-250V	H,K,R	6.00	6.62	2.75	5.12	9.62
•	•	•	•	DS60	60A	60A-600V	H,K,R	8.50	6.62	2.75	5.12	9.62
•	•	•	•	DS60	60A	60A-600V	J	5.38	6.62	2.75	5.12	9.62
•	•	•	•	DS60	60A	30A-600V	H,K,R	8.00	6.62	2.75	5.12	9.62
•	•	•	•	DS60	60A	100A-250V	H,K	8.50	6.62	2.75	5.12	9.62
•	•	•	•	DS60	60A	100A-600V	H,K	10.50	6.62	2.75	5.12	9.62
•	•	•	•	DS60	60A	100A-600V	J	7.25	6.62	2.75	5.12	9.62
•	•	•	•	DS100 ²	100A	No Fuse	—	3.88	6.62	—	5.12	9.62
•	•	•	•	DS100 ²	100A	100A-250V	H,K,R	8.12	6.62	—	5.12	9.62
•	•	•	•	DS100 ²	100A	100A-600V	H,K,R	10.12	6.62	—	5.12	9.62
•	•	•	•	DS100 ²	100A	100A-600V	J	6.88	6.62	—	5.12	9.62
•	•	•	•	DS100 ²	100A	60A-600V	H,K,R	10.12	6.62	—	5.12	9.62
•	•	•	•	DS100 ²	100A	60A-600V	J	8.88	6.62	—	5.12	9.62
•	•	•	•	DS200 ²	200A	No Fuse	—	4.75	7.88	—	—	8.12
•	•	•	•	DS200 ²	200A	200A-250V	H,K,R	10.88	7.88	—	—	8.12
•	•	•	•	DS200 ²	200A	200A-600V	H,K,R	13.38	7.88	—	—	8.12
•	•	•	•	DS200 ²	200A	200A-600V	J	9.50	7.88	—	—	8.12
•	•	•	•	DS200 ²	200A	100A-600V	H,K,R	12.00	7.88	—	—	8.12
•	•	•	•	DS200 ²	200A	100A-600V	J	8.75	7.88	—	—	8.12
•	•	•	•	DS400 ³	400A	no fuse	—	10.75	10.88	—	—	—
•	•	•	•	DS400 ³	400A	400A-250V	H,K,R	16.12	10.88	—	—	—
•	•	•	•	DS400 ³	400A	400A-600V	H,K,R	19.12	10.88	—	—	—
•	•	•	•	DS400 ³	400A	400A-600V	J	14.62	10.88	—	—	—
•	•	•	•	DS600 ^{3,4}	600A	no fuse	—	10.75	10.88	—	—	—
•	•	•	•	DS600 ^{3,4}	600A	600A-250V	H,R	10.75	10.88	—	—	—
•	•	•	•	DS600 ^{3,4}	600A	600A-600V	H,R	10.75	10.88	—	—	—
•	•	•	•	DS600 ^{3,4}	600A	600A-600V	J	17.59	10.88	—	—	—

¹"M" dimension does not allow for auxiliary switches. ²Series B

³The 400 amp disconnect switch and the 600 amp switch will only fit catalog number 1447S46L12. Wire bend space of 12.12 inches is provided above disconnect when installed.

⁴"L" and "M" do not include separately mounted fuse blocks

Allen Bradley 1494V Circuit Breakers

Fits Enclosure Depth				Allen Bradley Type Number	Amp Rating	Fuse Clip	Fuse Class	Space Occupied		When K=4.75	When K=7.09	When K=11.62
8	10	12	16					L	M ¹	P	P	P
•	•	•	•	M40	15A-150A	C-H Westinghouse Circuit Breakers EHD,FD,FDB,FDC,HFD,HMCP	—	5.00	4.50 ¹	4.25	6.62	11.12
•	•	•	•	M50	70A-250A	C-H Westinghouse Circuit Breakers JD,JDB,JDC,HJD,HMCP	—	9.75	4.75 ¹	—	—	10.62
•	•	•	•	M60	100A-400A	C-H Westinghouse Circuit Breakers KD,KDB,DK,HKD,HMCP	—	9.69	6.12 ¹	—	—	10.50

¹"M" dimension does not allow for auxiliary switches. Charts reference Space Occupied by Disconnect Drawing...see page 149.

 Disconnect Enclosures
Wallmount Enclosures

1447S Single Door Disconnect Enclosures - NEMA 12, 13

ABB Controls, Allen Bradley, Cutler Hammer, General Electric, I-T-E Max-Flex™, Square D

Cutler Hammer

Cutler Hammer C361 Disconnect Switches

Fits Enclosure Depth				Cutler Hammer Type Number	Amp Rating	Fuse Clip	Fuse Class	Space Occupied		When K=4.75	When K=7.09	When K=11.62
8	10	12	16					L	M	P	P	P
•	•	•	•	C361NC	30A	No Fuse	—	5.75	7.43	3.44	5.75	10.31
•	•	•	•	C361SC21	30A	30A-250V	H, K, R	8.38	7.43	3.44	5.75	10.31
•	•	•	•	C361SC61	30A	60A-250V	H, K, R	8.38	7.43	3.44	5.75	10.31
•	•	•	•	C361SC61	30A	30A-600V	H, J, K, R	8.38	7.43	3.44	5.75	10.31
•	•	•	•	C361ND	60A	No Fuse	—	5.75	7.43	3.44	5.75	10.31
•	•	•	•	C361SD22	60A	60A-250V	H, K, R	8.38	7.43	3.44	5.75	10.31
•	•	•	•	C361SD22	60A	30A-600V	J	8.38	7.43	3.44	5.75	10.31
•	•	•	•	C361SD62	60A	60A-600V	H, K, R	8.38	7.43	3.44	5.75	10.31
•	•	•	•	C361SD62	60A	60A-600V	J	8.38	7.43	3.44	5.75	10.31
1	•	•	•	C361NE	100A	No Fuse	—	5.56	8.95	3.00	5.38	9.91
1	•	•	•	C361SE263	100A	100A-250V	H, K, R	10.31	8.95	3.00	5.38	9.91
1	•	•	•	C361SE263	100A	100A-600V	H, K, R	10.31	8.95	3.00	5.38	9.91
1	•	•	•	C361SE263	100A	100A-600V	J	10.31	8.95	3.00	5.38	9.91
		2	2	C361NF	200A	No Fuse	—	13.06	10.00	—	—	7.94
		2	2	C361SF264	200A	200A-250V	H, K, R	13.06	10.00	—	—	7.94
		2	2	C361SF264	200A	200A-600V	H, J, K, R	13.06	10.00	—	—	7.94

¹ Wire bend space "P" does not allow the use of maximum cable size in 8" deep enclosures.

² 200A switch should be installed in enclosures with an "A" dimension of 30" or greater.

Cutler Hammer C371 Circuit Breaker Operators (C-H Westinghouse Circuit Breakers)

Fits Enclosure Depth				Cutler Hammer Mechanism	Amp Rating	Frame Type	Space Occupied		When K=4.75	When K=7.09	When K=11.62
8	10	12	16				L	M	P	P	P
•	•	•	•	C371E	150A	F Frame EHD,FDB,FD,HFD,FDC	6.00	5.50	4.44	6.81	11.44
•	•	•	•	C371E	150A	F Frame HMCP	6.00	5.50	4.44	6.81	11.44
	•	•	•	C371F	250A	J Frame JDB,JD,HJD,JDC	8.94	8.00	—	6.75	11.25
	•	•	•	C371F	250A	J Frame HMCP	10.94	8.00	—	6.75	11.25
		•	•	C371F	400A	K Frame DK,KDB,KD,HKD	9.75	8.00	—	—	10.75
		•	•	C371F	400A	K Frame HMCP	9.75	8.00	—	—	10.75
		•	•	C371G	600A	L Frame LD,HLD,LDC	8.44	11.88	—	—	9.18

Charts reference Space Occupied by Disconnect Drawing...see page 149.

...Cutler Hammer continued on next page

1447S Single Door Disconnect Enclosures - NEMA 12, 13

ABB Controls, Allen Bradley, Cutler Hammer, General Electric, I-T-E Max-Flex™, Square D

Cutler Hammer cont'd.

Cutler Hammer Flex-Shaft™ Operator Mechanisms (C-H Westinghouse Circuit Breakers)

8	Fits Enclosure Depth			Complete Operator Mechanisms	Amp Rating	Frame Type		Breaker Height "X" (in inches)	Breaker Width "Y" (in inches)
	10	12	16						
•	•	•	•	F1S03	150A	F Frame	EHD, FDB, FD, HFD, FDC	6.00	4.12
•	•	•	•	F1S03	150A	F Frame	HMCP	6.00	4.12
•	•	•	•	F2S03	250A	J Frame	JDB, JD, HJD, JDC	10.00	4.12
•	•	•	•	F2S03	250A	J Frame	HMCP	10.00	4.12
•	•	•	•	F3S03	400A	K Frame	DK, KDB, KD, HKD	10.12	5.50
•	•	•	•	F3S03	400A	K Frame	HMCP	12.45	5.50
	•	•	•	F4S04	600A	L Frame	LD, HLD, LDC	10.75	8.25
	•	•	•	F7S04	800A	M Frame	MD, MDS	16.00	8.25
	•	•	•	F5S04	1200A	N Frame	ND, HND, NDC	16.00	8.25
	•	•	•	F6S04	2500A	R Frame	RD, CRD, RDC	16.00	15.50

Part numbers for Complete Operator Mechanisms include flange mounted handle, flexible shaft and circuit breaker mechanism. The last digit of the part number denotes the shaft length (F1S03=3' length).

- F,J,K frame Flex-Shafts™ available in 3' to 10' lengths.
- L,N,R frame Flex-Shafts™ available in 4' to 6' lengths.

Space Occupied By Disconnect

1. Flex-Shaft™ System permits circuit breaker locations separate from flange mounted handle mechanism.
2. See National Electrical Code 1996 article 430-10(b) for wiring space (Ref "P") needed for line side conductors.
3. Select shaft length based on location of circuit breaker in the enclosure. Maintain a 4" minimum bending radius for the Flex-Shaft™.
4. Space occupied by circuit breaker is calculated by:
 - overall (Height "X" and Width "Y")
 - minimum wire bend space (manufacturer specified)
 - location "M" from right to left.

Charts reference Space Occupied by Disconnect Drawing...see page 149.

1447S Single Door Disconnect Enclosures - NEMA 12, 13

ABB Controls, Allen Bradley, Cutler Hammer, General Electric, I-T-E Max-Flex™, Square D

General Electric

General Electric Type STDA Disconnect Switches

8	Fits Enclosure Depth			General Electric Mechanisms For Switches	Amp Rating	Fuse Clip	Fuse Class	Space Occupied		When K=4.75	When K=7.09	When K=11.62
	10	12	16					L	M	P	P	P
1	•	•	•	TDOM1A	30A	No Fuse	—	7.75 ²	5.25	6.18	7.62	12.12
1	•	•	•	TDOM1A	30A	30A-250V	H, R	7.75 ²	5.25	6.18	7.62	12.12
1	•	•	•	TDOM1B	30A	30A-600V	H, R	12.38 ²	5.25	6.18	7.62	12.12
1	•	•	•	TDOM1B	30A	60A-250V	H, R	12.38 ²	5.25	6.18	7.62	12.12
1	•	•	•	TDOM1B	30A	60A-600V	H, R	12.38 ²	5.25	6.18	7.62	12.12
1	•	•	•	TDOM1A	60A	No Fuse	—	7.75 ²	5.25	6.18	7.62	12.12
1	•	•	•	TDOM1B	60A	60A-250V	H, R	12.38 ²	5.25	6.18	7.62	12.12
1	•	•	•	TDOM1B	60A	60A-600V	H, R	12.38 ²	5.25	6.18	7.62	12.12
1	•	•	•	TDOM1B	60A	100A-250V	H, R	12.38 ²	5.25	6.18	7.62	12.12
1	•	•	•	TDOM1B	60A	100A-600V	H, R	12.38 ²	5.25	6.18	7.62	12.12
1	•	•	•	TDOM1A	100A	No Fuse	—	7.75 ²	5.25	6.18	7.62	12.12
1	•	•	•	TDOM1B	100A	100A-250V	H, R	12.38 ²	5.25	6.18	7.62	12.12
1	•	•	•	TDOM1B	100A	100A-600V	H, R	12.38 ²	5.25	6.18	7.62	12.12
1	•	•	•	TDOM1B	100A	200A-250V	H, R	12.38 ²	5.25	6.18	7.62	12.12
1	•	•	•	TDOM1B	100A	200A-600V	H, R	12.38 ²	5.25	6.18	7.62	12.12
		•	•	TDOM2	200A	No Fuse	—	7.00	9.12	—	—	9.50
		•	•	TDOM2	200A	200A-250V	H, R	15.38	9.12	—	—	9.50
		•	•	TDOM2	200A	200A-600V	H, R	15.38	9.12	—	—	9.50

¹ Disconnect moved down 0.875" to fit on panel.

² Applies to 8" deep enclosures and is 0.875 less in 10", 12" and 16" deep enclosures.

General Electric Type STDA Circuit Breaker Operators

8	Fits Enclosure Depth			General Electric Mechanism For Switches	Amp Rating	Frame Type	Space Occupied		When K=4.75	When K=7.09	When K=11.62
	10	12	16				L	M	P	P	P
1	•	•	•	SDOM1A	150A	TEB, TED, THED	7.75 ²	5.25	6.06	7.50	12.06
1	•	•	•	SDOM1A	150A	TEC	7.75 ²	5.25	6.06	7.50	12.06
1	•	•	•	TDOM1B	150A	TB1	12.38 ²	5.25	6.06	7.50	12.06
1	•	•	•	TDOM1B	150A	TEC, TECL	12.38 ²	5.25	6.06	7.50	12.06
1	•	•	•	TDOM1C	150A	TEL	7.75 ²	5.25	6.06	7.50	12.06
		•	•	TDOM1D	150A	THLC1	7.75	5.25	—	5.12	9.62
		•	•	TDOM3	225A	TFJ	10.38	5.75	—	6.06	10.62
		•	•	TDOM3	225A	TFK, THFK, TFL	10.38	5.75	—	6.06	10.62
		•	•	TDOM4	400A	TJJ, TJK4, THJK4, TJL4V	8.25	9.38	—	5.12	9.69
		•	•	TDOM4	600A	TJK6, THJK6, TJ4V, TJL4V	8.25	9.38	—	5.12	9.69
		•	•	TDOM5	400A	TB4, TJH6S	14.25	9.38	—	5.12	9.69
		•	•	TDOM6	225A	TLB2, THLC2	11.75	9.38	—	—	9.12
		•	•	TDOM6	400A	TLB4, THLC4	11.75	9.38	—	—	7.75
1	•	•	•	SDOM1A	150A	SPECTRA SE150	7.75 ²	5.25	6.06	7.50	12.06
		•	•	SDOM3	250A	SPECTRA SF250	10.38	5.75	—	6.06	10.62
		•	•	SDOM4	600A	SPECTRA SG600	10.00	7.00	—	—	7.93

¹ Disconnect moved down 0.875" to fit on panel.

² Applies to 8" deep enclosures only. For 10", 12" and 16" deep enclosures, 0.875 less.

Charts reference Space Occupied by Disconnect Drawing...see page 149.

...General Electric continued on next page

1447S Single Door Disconnect Enclosures - NEMA 12, 13

ABB Controls, Allen Bradley, Cutler Hammer, General Electric, I-T-E Max-Flex™, Square D

General Electric cont'd.

General Electric Circuit Breakers (Spectra-Flex™ Cable Operators)

C=8	Fits Enclosure Depth		Frame Size	Max Amp Rating	Circuit Breaker Height "X"	Circuit Breaker Width "Y"
	C=10	C=12 or 16				
•	•	•	E150	150A	6.31	4.12
•	•	•	SE150	150A	6.31	4.12
	•	•	SF250	250A	10.12	4.12
		•	SG600	600A	10.09	5.50
		•	SK1200	1200A	15.50	8.25

Frame Size	Breaker Mechanism	Flange Mounting Handle	Operating Cable
E150	SCOM1A	SCH1	SC3L ¹
SE150/SF250	SCOM1EF	SCH1	SC3L ¹
SG600	SCOM1G	SCH1	SC3L ¹
SK1200	SCOM1K	SCH2K	SC3H ¹

¹ Operating Cables are available 3' to 10' lengths. In the table above, the number "3" in the part number indicates a 3' cable.

1. GE Spectra-Flex™ Operating Cables permit circuit breaker locations separate from flange mounted handle mechanism.
2. See National Electrical Code 1996 article 430-10(b) for wiring space (Ref "P") needed for line side conductors.
3. Select shaft length based on location of circuit breaker in the enclosure. Maintain a 3" minimum bending radius for the Flex-Shaft™.
4. Space occupied by circuit breaker is calculated by:
 - overall (Height "X" and Width "Y")
 - minimum wire bend space (manufacturer specified)
 - location "M" from right to left.

Charts reference Space Occupied by Disconnect Drawing...see page 149.

1447S Single Door Disconnect Enclosures - NEMA 12, 13

ABB Controls, Allen Bradley, Cutler Hammer, General Electric, I-T-E Max-Flex™, Square D

I-T-E

I-T-E - Disconnect Switches (Max-Flex™ Operators)

Fits Enclosure Depth			Switch	Amp Rating	Fuse Clip	Fuse Class	Disconnect Height "X"	Disconnect Width "Y"
C=8"	C=10"	C=12"or16"						
•	•	•	MCS603R	30A	No Fuse	—	5.52	6.13
•	•	•	MCS603R	30A	30A-250V	H,K,R	8.11	6.13
•	•	•	MCS603R	30A	30A-600V	H,K,R	10.11	6.13
•	•	•	MCS603R	30A	30A-600V	J	8.48	6.13
•	•	•	MCS606R	60A	No Fuse	—	5.52	6.13
•	•	•	MCS606R	60A	60A-250V	H,K,R	7.86	6.13
•	•	•	MCS606R	60A	60A-600V	H,K,R	10.38	6.13
•	•	•	MCS606R	60A	60A-600V	J	8.36	6.13
•	•	•	MCS610R	100A	No Fuse	—	7.59	7.38
•	•	•	MCS610R	100A	100A-250V	H,K,R	11.85	7.38
•	•	•	MCS610R	100A	100A-600V	H,K,R	13.85	7.38
•	•	•	MCS610R	100A	100A-600V	J	10.60	7.38
•	•	•	MCS620R	200A	No Fuse	—	9.00	9.17
•	•	•	MCS620R	200A	200A-250V	H,K,R	14.70	9.17
•	•	•	MCS620R	200A	200A-600V	H,K,R	17.20	9.17
•	•	•	MCS620R	200A	200A-600V	J	13.32	9.17

I-T-E Max-Flex™ Operators (Circuit Breakers)

Complete Operator Mechanism	Amp Rating	Breaker Frame Size	Circuit Breaker Height "X"	Circuit Breaker Width "Y"	Circuit Breaker Type
FHOE036	125A	ED	6.34	3.00	ED2, ED4, ED6, HED4, HED6
FHOE036	125A	CED	9.58	3.00	CED6
FHOF036	250A	FD	9.50	4.50	FXD6-A, FD6-A, HFD6, FXD6-ETJ, HHFD6, HHFXD6
FHOF036	250A	CFD	14.25	4.50	CFD6, CFD6-ETI
FHOJ036	400A, 600A	JD, LD	11.00	7.50	JXD2, LXD6, JXD6, JD6, LD6, HJD6, HLD6, HHJD6, HHLD6, HHJXD6, HHLDX6, JXD6-ETI, LXD6-ETI
FHOJ036	400A, 600A	CJD, CLD	17.86	7.50	CJD6, CLD6, CJD6-ETI, CLD6-ETI
FHOLM036	800A	LMD	16.00	9.00	LMD6, LMXD6, HLMD6, HLMXD6, LMXD6-ET1
FHONO48	800A	MD	24.00	9.00	MD6, MXD6, HMD6, HMXD6, CMD6, MXD6-ETI, CMD6-ETI
FHONO48	1200A	ND	24.00	9.00	ND6, NXD6, HND6, HNXD6, CND6

Last three digits of operator mechanism part number denote cable length in inches.

- 48" cables are offered for ED,FD,JD/LD operators

Space Occupied By Disconnect

1. I-T-E Max-Flex™ System permits circuit breaker locations separate from flange mounted handle mechanism.
2. See National Electrical Code 1996 article 430-10(b) for wiring space (Ref "P") needed for line side conductors.
3. See Siemens I-T-E instructions for disconnect location limitations when using 36" or 48" Max-Flex™ cables.
4. Space occupied by circuit breaker is calculated by:
 - overall (Height "X" and Width "Y")
 - minimum wire bend space (manufacturer specified)
 - location "M" from right to left.

Charts reference Space Occupied by Disconnect Drawing...see page 149.

1447S Single Door Disconnect Enclosures - NEMA 12, 13

ABB Controls, Allen Bradley, Cutler Hammer, General Electric, I-T-E Max-Flex™, Square D

Square D

Square D Class 9422 Disconnect Switches

Fits Enclosure Depth				Square D Type Number	Amp Rating	Fuse Clip	Fuse Class	Space Occupied		When K=4.75	When K=7.09	When K=11.62
8	10	12	16					L	M	P	P	P
•	•	•	•	TCN-30	30A	No Fuse	—	3.80	6.84	3.69	6.03	10.56
•	•	•	•	TCF-30	30A	30A-250V	H, K, R	5.53	6.84	3.69	6.03	10.56
•	•	•	•	TCF-33	30A	30A-600V	H, K, R	8.15	6.84	3.69	6.03	10.56
•	•	•	•	TCF-33	30A	60A-250V	H, K, R	6.15	6.84	3.69	6.03	10.56
•	•	•	•	TCF-33	30A	30A-600V	J	5.53	6.84	3.69	6.03	10.56
•	•	•	•	TDN-60	60A	No Fuse	—	3.80	6.84	3.69	6.03	10.56
•	•	•	•	TDF-60	60A	30A-600V	H, K, R	8.15	6.84	3.69	6.03	10.56
•	•	•	•	TDF-60	60A	60A-250V	H, K, R	6.15	6.84	3.69	6.03	10.56
•	•	•	•	TDF-63	60A	60A-600V	H, K, R	8.65	6.84	3.69	6.03	10.56
•	•	•	•	TDF-63	60A	60A-600V	J	5.53	6.84	3.69	6.03	10.56
•	•	•	•	TEN-10	100A	No Fuse	—	3.80	6.84	—	5.91	10.44
•	•	•	•	TEF-10	100A	100A-250V	H, K, R	8.25	6.84	—	5.91	10.44
•	•	•	•	TEF-10	100A	100A-600V	H, K, R	10.25	6.84	—	5.91	10.44
•	•	•	•	TEF-10	100A	100A-600V	J	7.05	6.84	—	5.91	10.44
•	•	•	•	TC-1	30A	No Fuse	—	5.75	6.00	3.12	5.12	9.62
•	•	•	•	TC-2	30A	30A-250V	H, K, R	5.75	6.00	3.12	5.12	9.62
•	•	•	•	TC-3	30A	30A-600V	H, K, R	7.75	6.00	3.12	5.12	9.62
•	•	•	•	TC-3	30A	60A-250V	H, K, R	5.88	6.00	3.12	5.12	9.62
•	•	•	•	TC-3	30A	30A-600V	J	5.75	6.00	3.12	5.12	9.62
•	•	•	•	TD-1	60A	No Fuse	—	6.38	6.62	3.62	6.00	10.50
•	•	•	•	TD-2	60A	30A-600V	H, K, R	8.50	6.62	3.62	6.00	10.50
•	•	•	•	TD-2	60A	60A-250V	H, K, R	6.50	6.62	3.62	6.00	10.50
•	•	•	•	TD-3	60A	60A-600V	H, K, R	9.00	6.62	3.62	6.00	10.50
•	•	•	•	TD-3	60A	60A-600V	J	6.38	6.62	3.62	6.00	10.50
•	•	•	•	TE-1	100A	No Fuse	—	4.75	8.38	—	5.75	10.25
•	•	•	•	TE-2	100A	100A-250V	H, K, R	7.50	8.38	—	5.75	10.25
•	•	•	•	TE-2	100A	100A-600V	H, K, R	9.50	8.38	—	5.75	10.25
•	•	•	•	TE-2	100A	100A-600V	J	6.25	8.38	—	5.75	10.25
•	•	•	•	TE-3	100A	200A-600V	J	13.75	8.38	—	5.75	10.25
•	•	•	•	TF-1	200A	No Fuse	—	5.50	11.62	—	—	8.88
•	•	•	•	TF-2	200A	200A-250V	H, K, R	11.50	11.62	—	—	8.88
•	•	•	•	TF-2	200A	200A-600V	H, K, R	14.00	11.62	—	—	8.88
•	•	•	•	TF-2	200A	200A-600V	J	10.12	11.62	—	—	8.88
•	•	•	•	TF-3	200A	400A-600V	J	14.50	11.62	—	—	8.88

Disconnect Enclosures
Wallmount Enclosures

Square D Class 9422 Variable Depth Operators (Circuit Breakers)

Fits Enclosure Depth				Square D Type Number	Amp Rating	Frame Size	Space Occupied		When K=4.75	When K=7.09	When K=11.62
8	10	12	16				L	M	P	P	P
•	•	•	•	RG-1	75A	GJL	3.53	3.74	3.59	5.93	10.47
•	•	•	•	RG-1	100A	GJL	3.53	3.74	3.59	5.93	10.47
•	•	•	•	RN-1	100A	FAL, FHL	5.12	5.25	3.75	6.12	10.62
•	•	•	•	RP-1	250A	KAL, KHL	7.12	5.62	4.25 ¹	6.88	11.38
•	•	•	•	RR-1	400A	LAL, LHL, Q4L	7.62	8.75	—	—	7.00

¹ Not recommended except with #1 or smaller line conductors.

Charts reference Space Occupied by Disconnect Drawing...see page 149.

1447S Single Door Disconnect Enclosures - NEMA 12, 13

ABB Controls, Allen Bradley, Cutler Hammer, General Electric, I-T-E Max-Flex™, Square D

Square D

Square D Class 9422 Disconnect Switches (Cable Mechanism 9422-CFT30 and 9422A-1 Handle Mechanism)

Fits Enclosure Depth			Square D Type Number	Amp Rating	Fuse Clip	Fuse Class	Disconnect Height "X"	Disconnect Width "Y"
C=8"	C=10"	C=12"or16"						
•	•	•	TCN-30	30A	No Fuse	—	5.90	6.20
•	•	•	TCF-30	30A	30A-250V	H, K, R	7.50	6.20
•	•	•	TCF-33	30A	30A-600V	H, K, R	10.15	6.20
•	•	•	TCF-33	30A	60A-250V	H, K, R	8.15	6.20
•	•	•	TCF-33	30A	30A-600V	J	7.50	6.20
•	•	•	TDN-60	60A	No Fuse	—	5.90	6.20
•	•	•	TDF-60	60A	30A-600V	H, K, R	10.15	6.20
•	•	•	TDF-60	60A	60A-250V	H, K, R	8.15	6.20
•	•	•	TDF-63	60A	60A-600V	H, K, R	10.65	6.20
•	•	•	TDF-63	60A	60A-600V	J	7.5	6.20
	•	•	TEN-10	100A	No Fuse	—	5.90	6.20
	•	•	TEF-10	100A	100A-250V	H, K, R	10.35	6.20
	•	•	TEF-10	100A	100A-600V	H, K, R	12.35	6.20
	•	•	TEF-10	100A	100A-600V	J	10.35	6.20

Square D Class 9422 Cable Mechanism (Circuit Breakers)

Fits Enclosure Depth			Cable Type Switch	Amp Rating	Frame Type	Circuit Breaker Height "X"	Circuit Breaker Width "Y"
C=8"	C=10"	C=12"or16"					
•	•	•	9422 CGJ30	75A	GJL	4.75	3.50
•	•	•	9422 CEJ30	100A	GJL	4.75	3.50
•	•	•	9422 CFA30	100A	FAL, FHL	6.00	4.50
•	•	•	9422 CKA30	250A	KAL, KHL	8.00	4.50
		•	9422 CLA30	400A	LAL, LHL, Q4L	11.00	6.00

Use cable mechanism with circuit breaker and 9422-A1 handle mechanism

Cable operators are offered in 3', 5', and 10' lengths. Last 2 digits of part numbers above (30) are for 3' cables

Space Occupied By Disconnect Switch

- Square D Cable System permits circuit breaker locations separate from flange mounted handle mechanism.
- See National Electrical Code 1996 article 430-10(b) for wiring space (Ref "P") needed for line side conductors.
- Select cable mechanism length based on disconnect location in enclosure. See Square D instructions for minimum cable bend radius.
- Space occupied by circuit breaker is calculated by:
 - overall (Height "X" and Width "Y")
 - minimum wire bend space (manufacturer specified)

Charts reference Space Occupied by Disconnect Drawing...see page 149.

1447SN4SS Stainless Steel Single Door Disconnect Enclosures - NEMA 4, 4X

ABB Controls, Allen Bradley, Cutler Hammer, General Electric, I-T-E Max-Flex™, Square D



Application

Designed to house the following safety disconnect equipment:

- **ABB Controls** flange mounted variable depth operating mechanisms for disconnect switches and circuit breakers.
- **Allen Bradley** 1494V variable depth flange mounted disconnect switches and circuit breaker operators NEMA 4 rated. Will not accept Allen Bradley 1494F disconnect switches, 1494D circuit breaker operators or 1494V-R1, -R2, or -W2 operating handles).
- **Cutler Hammer** C361 variable depth flange mounted disconnect switches and C371 circuit breaker operators. Also Flex-Shaft™ handle mechanisms for circuit breakers. Use Cutler Hammer NEMA 4 rated operating handles to maintain NEMA 4 integrity.
- **I-T-E Max-Flex™** flange mounted variable depth handles for disconnect switch and circuit breakers. Use handle for NEMA 4 rating.
- **General Electric** Type STDA flange handles and variable depth operating mechanisms for disconnect switches and circuit breakers. Also Spectra-Flex™ cable operators for circuit breakers.
- **Square D** Class 9422 disconnect switches with flange mounted variable depth operating mechanisms or cable mechanisms and Class 9422 flange mounted variable depth operating mechanism or cable mechanisms for circuit breakers. SN4SS enclosures will not accept Square D Class 9422 bracket-mounted disconnect devices, 9422TG1 or TG2 devices.

Standards

- UL 508 Type 3R, 4 and 4X
- CSA Type 3R, 4 and 4X
- **Complies with**
 - NEMA Type 3R, 4, 4X, 12 and 13
 - JIC EGP-1-1967
 - IEC 529, IP66
- Appropriate components are required to maintain these standards.

Construction

- Formed 14 gauge type 304 stainless steel.
- Continuously welded seams.
- Larger sizes include door and body stiffeners.
- Formed lip on door and enclosure exclude flowing liquids and contaminants.
- Cutouts and holes are provided to suit the flange handle operating mechanism.
- Continuously hinged doors may be removed by pulling the hinge pin.
- Door is secured with easily operated steel clamps.
- Cover interlock bracket is welded to the door.
- Collar studs are provided for mounting inner panels.
- A removable 12 gauge inner panel is included.
- Oil resistant gaskets are permanently secured and mechanically retained.

- A bonding stud is provided on the door and a grounding stud is provided in the enclosure.
- A literature pocket is provided for the inside of the door.

Note:

- Disconnects and operating mechanisms are not provided with the enclosure, and must be ordered separately from the manufacturer.

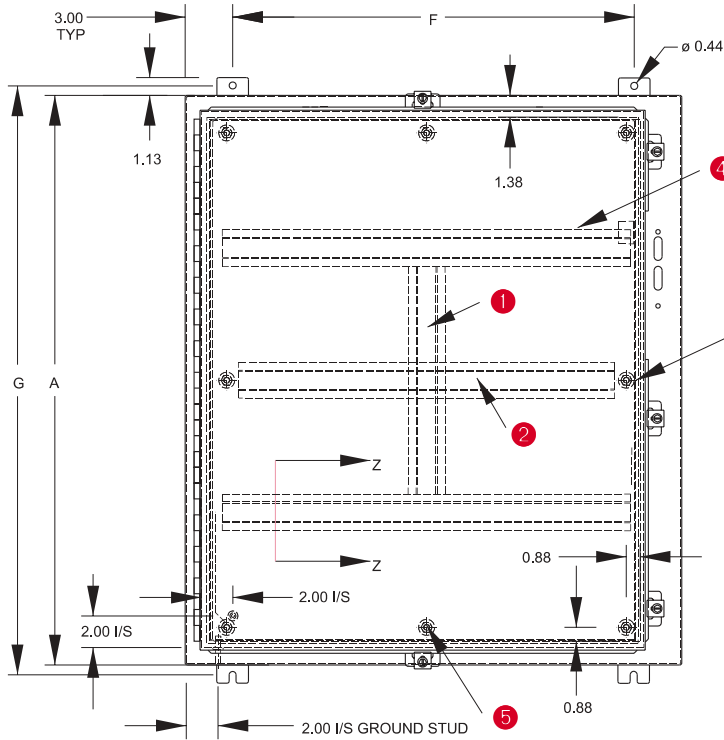
Finish

- Door and enclosure are natural, brushed stainless steel.
- Inner panel is finished in white powder coating.

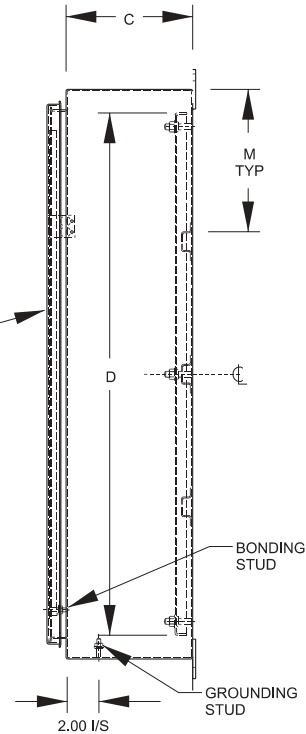
Accessories

- Additional inner panels...see page [384](#)
- Air conditioners...see page [348-357](#)
- Blowers...see page [359](#)
- Breather kits...see page [374](#)
- Door stop kits...see page [393](#)
- Enclosure stabilizers...see page [397](#)
- Filter fans...see page [360-367](#)
- Floor stand kits...see page [394](#)
- Heaters...see page [369-371](#)
- Thermostats...see page [374](#)
- Window kits...see page [391](#)

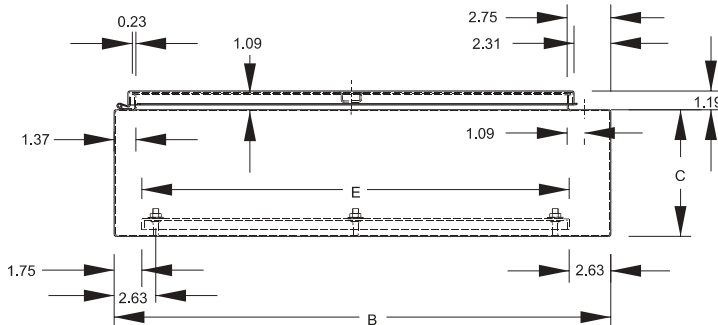
1447SN4SS Stainless Steel Single Door Disconnect Enclosures - NEMA 4, 4X ABB Controls, Allen Bradley, Cutler Hammer, General Electric, I-T-E Max-Flex™, Square D



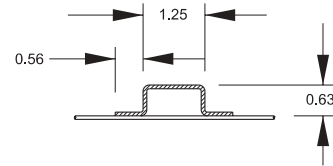
Front View



Cross Section



Top View



Section Z-Z

- ❶ Vertical body stiffener req'd on 1447SN4SSG8 only.
- ❷ Omit center body stiffener if A is less than 41".
- ❸ Omit 2 middle studs if A is less than 31".
- ❹ Omit body stiffeners if B is 28" or less.
- ❺ Omit 2 middle studs if B is less than 32".
- ❻ Omit door stiffener if B is 32" or less except if AxB is 42"x31.38".

When A=	M=
36	9.00
42	9.88
48	11.38
60	14.38

Note: Number of door clamps varies to enclosure size.

Part No.	A	B	C	Panel Size		Mounting Centers		Ship Wt. lbs.
				D	E	F	G	
1447SN4SSB8	24	21.38	8	21	17	15.38	25.25	60
1447SN4SSC8	24	25.38	8	21	21	19.38	25.25	73
1447SN4SSE8	30	25.38	8	27	21	19.38	31.25	90
1447SN4SSF8	36	25.38	8	33	21	19.38	37.25	100
1447SN4SSG8	36	31.38	8	33	27	25.38	37.25	123
1447SN4SSH12	42	31.38	12	39	27	25.38	43.25	152
1447SN4SSJ12	42	37.38	12	39	33	31.38	43.25	200
1447SN4SSK12	48	37.38	12	45	33	31.38	49.25	220
1447SN4SSL12	60	37.38	12	57	33	31.38	61.25	265