

Watertight Flat Lid - (1554 Series)

Plastic



KEY FEATURES

- Electronic instrument enclosures, designed for mounting printed circuit boards or DIN rail mounted components.
- Molded in general purpose ABS plastic or polycarbonate material.
- The general purpose ABS plastic carries a UL flammability rating of UL94HB. Not recommended for outdoor use.
- The polycarbonate material carries a UL flammability rating of UL94 5V and is suitable for outdoor use.
- Color is light gray (RAL 7035)
- Gasketed lid with two piece “tongue & groove” construction provides protection against access of oil, dust and water.
- Designed to meet IP66 & NEMA 4, 4X, 12 & 13 ratings
- Gasket is factory poured using high temperature U.L. listed - silicone rubber gasket material.
- Lid is secured with self capturing M4 stainless steel machine screws (included), threaded into integral stainless steel bushings (for repetitive assembly & disassembly).
- All stainless steel hardware to avoid corrosion caused by dissimilar metals.
- Lid and mounting holes are located outside of the gasket seal.
- Heavy duty 16 gauge galvanized steel panels available (see chart)
- Internal features are maximized for mounting options:
 - Internal DIN rail mounting tabs molded in all except the 1554CGY & 1554C2GY
 - Threaded (M3) integral brass inserts & standoffs designed for M3.5 or #6 self tapping screws for P.C. board or inner panel mounting in all but the smallest size (1554BGY & 1554B2GY)
 - Vertical P.C. card guides (for 1.5 mm thick P.C. boards) are molded in all but the smallest size (1554BGY & 1554B2GY)

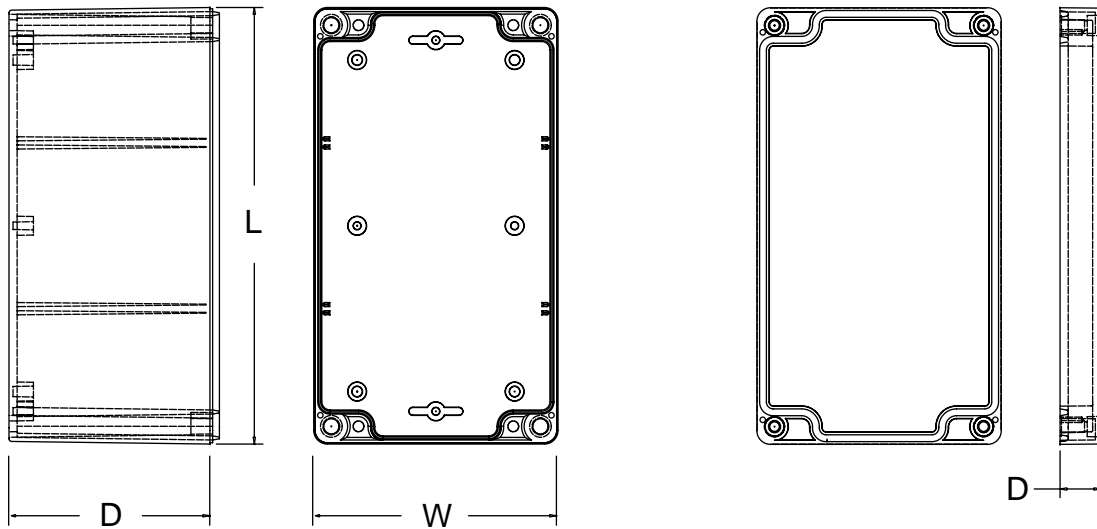
ACCESSORIES

Panels

Heavy duty panel for mounting components. Galvanized 16 ga. steel. Includes mounting hardware.
See table (facing page) for part numbers



Watertight Flat Lid - (1554 Series)



Body View

Lid View

Plastic

Part Number		Units	Dimensions					Optional Inner Panel Part Number	Units	Dimensions	
ABS	Poly-carbonate		Length (L)	Width (W)	Overall Depth (D)					Length	Width
					Assembled	Box	Lid				
1554BGY	1554B2GY	inch	2.6	2.6	1.6	.98	.59	1554BPL	inch	2.2	2.2
		mm	65	65	40	25	15		mm	56	59
1554EGY	1554E2GY	inch	3.5	3.5	2.4	1.77	.59	1554EPL	inch	3.1	3.1
		mm	90	90	60	45	15		mm	79	79
1554CGY	1554C2GY	inch	4.7	2.6	1.6	.98	.59	1554CPL	inch	4.4	2.1
		mm	120	65	40	25	15		mm	112	53
1554DGY	1554D2GY	inch	4.7	2.6	2.4	1.77	.59	1554CPL	inch	4.4	2.1
		mm	120	65	60	45	15		mm	112	53
1554FGY	1554F2GY	inch	4.7	3.5	2.4	1.77	.59	1554FPL	inch	4.3	3.1
		mm	120	90	60	45	15		mm	109	79
1554GGY	1554G2GY	inch	4.7	3.5	3.2	2.56	.59	1554FPL	inch	4.3	3.1
		mm	120	90	80	65	15		mm	109	79
1554NGY	1554N2GY	inch	4.7	4.7	2.4	1.77	.59	1554NPL	inch	4.25	4.2
		mm	120	120	60	45	15		mm	108	107
1554PGY	1554P2GY	inch	4.7	4.7	3.15	2.56	.59	1554NPL	inch	4.25	4.2
		mm	120	120	80	65	15		mm	108	107
1554JGY	1554J2GY	inch	6.3	3.5	2.4	1.77	.59	1554JPL	inch	5.8	3.0
		mm	160	90	60	45	15		mm	147	76
1554KGY	1554K2GY	inch	6.3	3.5	3.5	2.95	.59	1554JPL	inch	5.8	3.0
		mm	160	90	90	75	15		mm	147	76
1554RGY	1554R2GY	inch	6.3	6.3	2.4	1.77	.59	1554RPL	inch	5.94	5.8
		mm	160	160	60	45	15		mm	151	147
1554SGY	1554S2GY	inch	6.3	6.3	3.5	2.95	.59	1554RPL	inch	5.94	5.8
		mm	160	160	90	75	15		mm	151	147
1554HGY	1554H2GY	inch	7.1	4.7	2.4	1.77	.59	1554HPL	inch	6.6	4.2
		mm	180	120	60	45	15		mm	168	107
1554TGY	1554T2GY	inch	7.1	4.7	3.5	2.95	.59	1554HPL	inch	6.6	4.2
		mm	180	120	90	75	15		mm	168	107
1554UGY	1554U2GY	inch	7.9	4.7	3.5	2.95	.59	1554UPL	inch	7.6	4.2
		mm	200	120	90	75	15		mm	193	107
1554VGY	1554V2GY	inch	9.5	6.3	3.5	2.95	.59	1554VPL	inch	9.1	5.7
		mm	240	160	90	75	15		mm	231	145

NOTE: Please refer to our website

Watertight Clear Lid - (1554 Series)

Plastic



KEY FEATURES

- Electronic instrument enclosures, designed for mounting printed circuit boards or DIN rail mounted components.
- Clear polycarbonate lid allows for maximum visibility of protected internal components.
- Molded in polycarbonate material which carries a UL flammability rating of UL94 5V and is suitable for outdoor use.
- Color is light gray (RAL 7035)
- Gasketed lid with two piece “tongue & groove” construction provides protection against access of oil, dust and water.
- Designed to meet IP66 & NEMA 4, 4X, 12 & 13 ratings
- Gasket is factory poured using high temperature U.L. listed - silicone rubber gasket material.
- Lid is secured with self capturing M4 stainless steel machine screws (included), threaded into integral stainless steel bushings (for repetitive assembly & disassembly).
- All stainless steel hardware to avoid corrosion caused by dissimilar metals.
- Lid and mounting holes are located outside of the gasket seal.
- Heavy duty 16 gauge galvanized steel panels available (see chart)
- Internal features are maximized for mounting options:
 - Internal DIN rail mounting tabs molded in all except the 1554C2GYCL
 - Threaded (M3) integral brass inserts & standoffs designed for M3.5 or #6 self tapping screws for P.C. board or inner panel mounting in all but the smallest size (1554B2GYCL)
 - Vertical P.C. card guides (for 1.5 mm thick P.C. boards) are molded in all but the smallest size (1554B2GYCL)

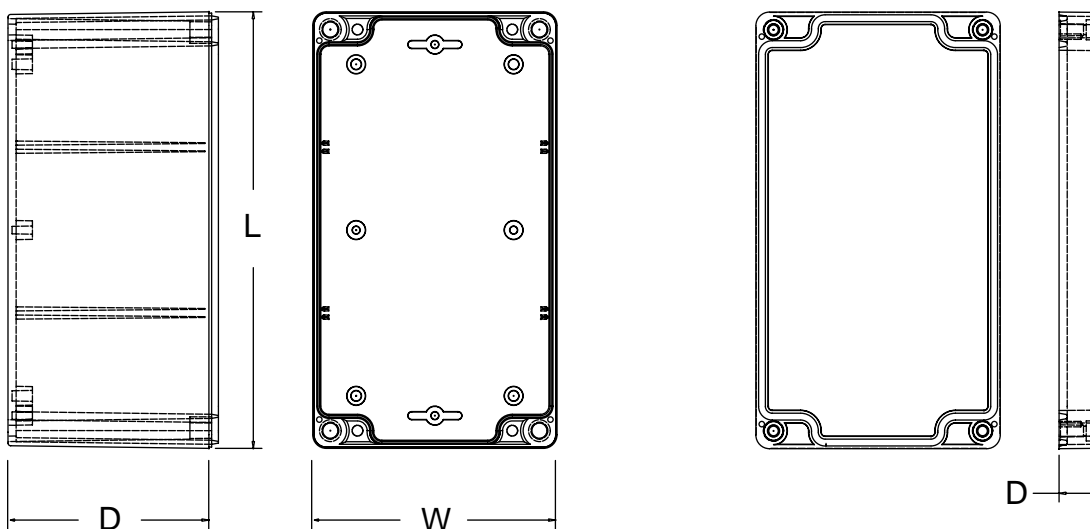
ACCESSORIES

Panels

Heavy duty panel for mounting components. Galvanized 16 ga. steel. Includes mounting hardware.
See table (facing page) for part numbers



Watertight Clear Lid - (1554 Series)



Body View

Lid View

Plastic

Part Number	Units	Dimensions					Optional Inner Panel Part Number	Units	Dimensions	
		Length (L)	Width (W)	Overall Depth (D)					Length	Width
				Assembled	Box	Lid				
1554B2GYCL	inch mm	2.6 65	2.6 65	1.6 40	.98 25	.59 15	1554BPL	inch mm	2.2 56	2.2 59
1554E2GYCL	inch mm	3.5 90	3.5 90	2.4 60	1.77 45	.59 15	1554EPL	inch mm	3.1 79	3.1 79
1554C2GYCL	inch mm	4.7 120	2.6 65	1.6 40	.98 25	.59 15	1554CPL	inch mm	4.4 112	2.1 53
1554D2GYCL	inch mm	4.7 120	2.6 65	2.4 60	1.77 45	.59 15	1554CPL	inch mm	4.4 112	2.1 53
1554F2GYCL	inch mm	4.7 120	3.5 90	2.4 60	1.77 45	.59 15	1554FPL	inch mm	4.3 109	3.1 79
1554G2GYCL	inch mm	4.7 120	3.5 90	3.2 80	2.56 65	.59 15	1554FPL	inch mm	4.3 109	3.1 79
1554N2GYCL	inch mm	4.7 120	4.7 120	2.4 60	1.77 45	.59 15	1554NPL	inch mm	4.25 108	4.2 107
1554P2GYCL	inch mm	4.7 120	4.7 120	3.15 80	2.56 65	.59 15	1554NPL	inch mm	4.25 108	4.2 107
1554J2GYCL	inch mm	6.3 160	3.5 90	2.4 60	1.77 45	.59 15	1554JPL	inch mm	5.8 147	3.0 76
1554K2GYCL	inch mm	6.3 160	3.5 90	3.5 90	2.95 75	.59 15	1554JPL	inch mm	5.8 147	3.0 76
1554R2GYCL	inch mm	6.3 160	6.3 160	2.4 60	1.77 45	.59 15	1554RPL	inch mm	5.94 151	5.8 147
1554S2GYCL	inch mm	6.3 160	6.3 160	3.5 90	2.95 75	.59 15	1554RPL	inch mm	5.94 151	5.8 147
1554H2GYCL	inch mm	7.1 180	4.7 120	2.4 60	1.77 45	.59 15	1554HPL	inch mm	6.6 168	4.2 107
1554T2GYCL	inch mm	7.1 180	4.7 120	3.5 90	2.95 75	.59 15	1554HPL	inch mm	6.6 168	4.2 107
1554U2GYCL	inch mm	7.9 200	4.7 120	3.5 90	2.95 75	.59 15	1554UPL	inch mm	7.6 193	4.2 107
1554V2GYCL	inch mm	9.5 240	6.3 160	3.5 90	2.95 75	.59 15	1554VPL	inch mm	9.1 231	5.7 145

NOTE: Please refer to our website