

# Polyester Enclosure - NEMA 4X

## 1590ZGRP Series



Corrosion Resistant Junction Boxes

### Application

- Designed for use as instrument enclosures, electrical junction boxes or terminal wiring enclosures.
- Provide outstanding protection against dust, oil and pressurized water.
- Impervious to atmospheric and marine corrosion.
- Ideal in applications with high temperatures or highly corrosive environments.

### Standard

- UL/cUL 508 Type 1, 2, 3, 4, 4X, 12 & 13

#### Complies with

- NEMA 1, 2, 3, 4, 4X, 12, 13
- IEC 60529, IP66

### Construction

- Two piece molded fiberglass reinforced polyester construction.
- Captive polyfibre cover screws are provided with a standard slot head.
- Cover screws fasten into pre-threaded holes.
- The threaded cover screw holes also provide single channel access to rear mounting positions.
- Recessed neoprene gasket with tongue and groove construction is oil and petroleum resistant.
- Threaded stainless steel inserts provide for internal mounting.
- Spring loaded stainless steel hinge pins are standard, allowing for quick lid removal.

### Finish

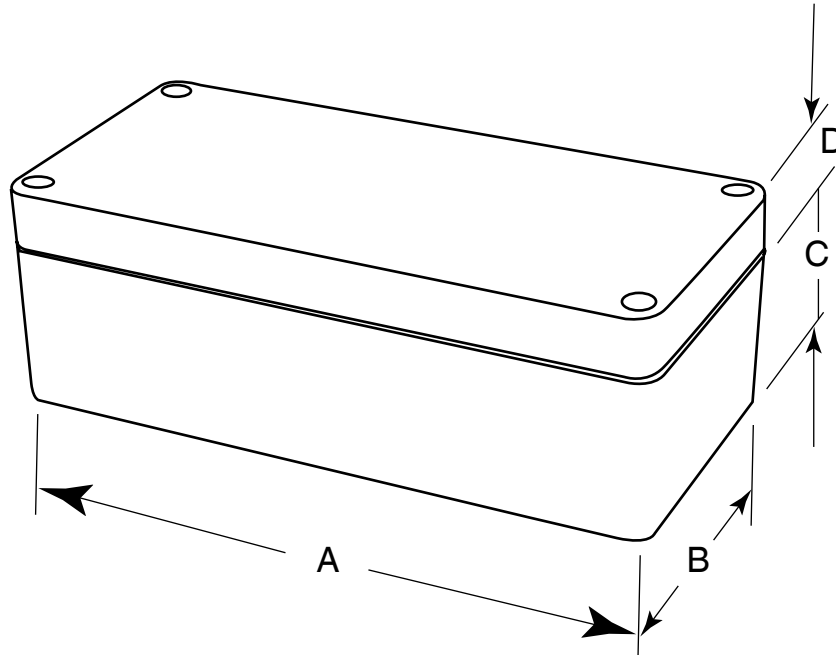
- Grey RAL 7000

### Accessories

- Galvanized Steel  
Inner panels...see page **107**

# Polyester Enclosure - NEMA 4X

1590ZGRP Series



Corrosion Resistant

Junction Boxes

Part Number	Units	Dimensions				Optional Inner Panel Part Number
		A	B	C	D	
1590ZGRP081	inch	3.15	2.95	1.57	0.59	1590ZGRP081PL
	mm	80	75	40	15	
1590ZGRP082	inch	4.33	2.95	1.57	0.59	1590ZGRP082PL
	mm	110	75	40	15	
1590ZGRP083	inch	6.30	2.95	1.57	0.59	1590ZGRP083PL
	mm	160	75	40	15	
1590ZGRP121	inch	4.80	4.72	2.56	0.98	1590ZGRP121PL
	mm	122	120	65	25	
1590ZGRP123	inch	8.66	4.72	2.76	0.79	1590ZGRP123PL
	mm	220	120	70	20	
1590ZGRP131	inch	7.48	2.95	1.57	0.59	1590ZGRP131PL
	mm	190	75	40	15	
1590ZGRP161	inch	6.30	6.30	2.76	0.79	1590ZGRP161PL
	mm	160	160	70	20	
1590ZGRP162	inch	10.24	6.30	2.76	0.79	1590ZGRP162PL
	mm	260	160	70	20	
1590ZGRP233	inch	9.84	7.87	3.74	0.98	1590ZGRP233PL
	mm	250	200	95	25	
1590ZGRP234	inch	10.04	9.84	3.74	0.98	1590ZGRP234PL
	mm	255	250	95	25	
1590ZGRP235	inch	10.04	9.84	3.74	2.56	1590ZGRP234PL
	mm	255	250	95	65	
1590ZGRP243	inch	15.75	9.84	3.74	0.98	1590ZGRP243PL
	mm	400	250	95	25	
1590ZGRP263	inch	23.62	9.84	3.74	0.98	1590ZGRP263PL
	mm	600	250	95	25	