

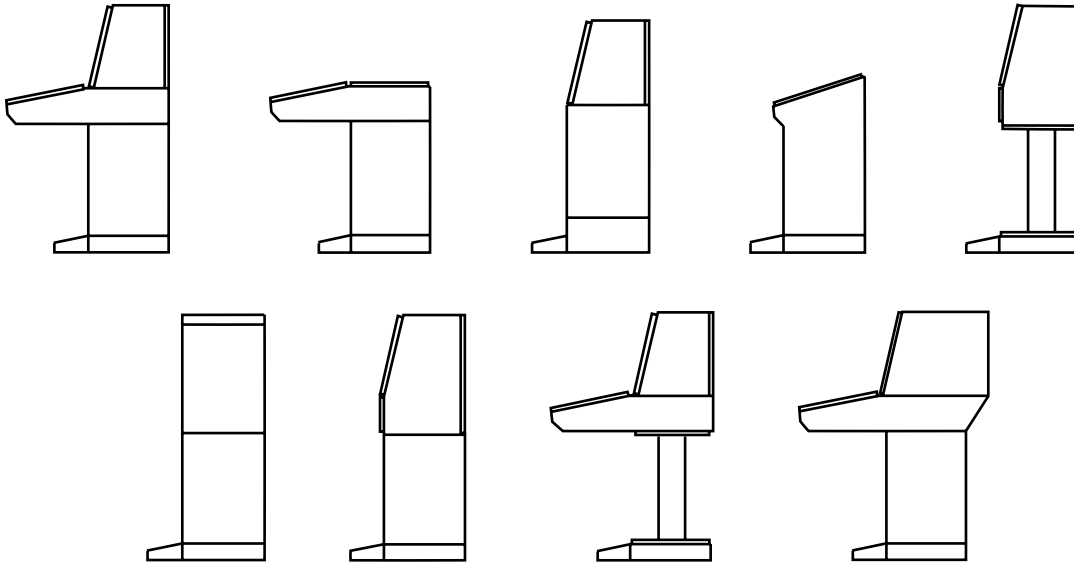
Series 2000 Modular Console System - NEMA 12, 4, 4X Configurations

Operator Interface Enclosure

Modular Console System

Series 2000 Modular Console System

The Series 2000 Modular Console System offers designers numerous assembly and configuration choices. This system allows units to be “stacked” in multiple combinations to provide equipment support and display functions exactly where you want them.



How to Configure Your System

To configure your system you'll need to go through the following steps:

STEP 1 - Protection requirements

- Type 12 beige = "2CR..." part numbers
- Type 4 grey = "2CP..." part numbers
- Type 4X stainless steel = "2CS..." part numbers

STEP 2 - Width requirements (24, 36, 48, 60 inch)

STEP 3 - Basic component requirements:

- Bottom* - (a) base, (b) dual access base, or (c) pedestal
- Top* - (a) standard desk and desk cover, (b) deep desk and desk cover, (c) standard turret, (d) deep turret, (e) standard desk/turret combination, (f) deep desk/turret combination, (g) another base and base cover, or (h) data terminal
- Stand Alone* - Consolelet

STEP 4 - External Accessories (if applicable): plinth, footrest, window doors or depth extension

STEP 5 - Internal Accessories (if applicable): electrical mounting panels, electronic mounting rails, swing frames, etc.

Series 2000 Modular Console System - NEMA 12, 4, 4X Base Units

Operator Interface Enclosure



Single Access



Dual Access



Application

- Flexible design provides panel mount or rack mount capabilities for a variety of applications.
- Generally used in combination with other modular console components (ie. another base, terminal, desk and/or turret).
- Available in either single or dual access format.
- Smooth lines and clean edges provide an attractive, contemporary appearance.

Standards

RAL 7032 Beige

- UL 508 Type 12
- CSA Type 12
- EIA RS-310-D
- Complies with
 - NEMA Type 12
 - IEC 60529, IP54

ANSI 61 Gray

- UL 508 Type 3R, 4, 12
- CSA Type 3R, 4, 12, 13
- EIA RS-310-D
- Complies with
 - NEMA Type 3R, 4, 12
 - IEC 60529, IP66

Stainless Steel (Type 304)

- UL 508 Type 3R, 4, 4X, 12
- CSA Type 3R, 4, 4X, 12
- EIA RS-310-D
- Complies with
 - NEMA Type 3R, 4, 4X, 12
 - IEC 60529, IP66

Construction

- Formed 14 gauge steel bodies with 14 gauge steel door.
- Also offered with formed 14 gauge 304 stainless steel bodies with 14 gauge 304 stainless steel door.
- Smooth, continuously welded seams.
- Body stiffeners are provided where required for increased strength and rigidity.
- Offered in 4 widths 24", 36", 48" and 60".
- Single access version has solid sides and back, solid door on front, open top, and closed bottom with removable access panel.
- Dual access version is same as above except has solid door on both front and back.
- 24" and 36" widths have single door on the front (and back for dual access) whereas 48" and 60" widths have two outside hinged doors on the front (and back for dual access.)
- Doors can be hinged from either side on 24" and 36" units.
- Door profiles provide increased strength and are pre-punched to provide mounting options.
- Formed lip on enclosure excludes flowing liquids and contaminants.
- Slotted quarter turn oil-tight latches secure the door, with optional tamper resistant and locking latches available.
- Stainless steel models utilize stainless steel hardware.
- Oil resistant gaskets are permanently secured.

- Features several internal stud locations for mounting of various accessories.
- A bonding screw is provided on the door and a grounding stud is provided in the enclosure.

Finish

- Available in RAL 7032 beige powder coating, ANSI 61 gray powder coating and natural stainless steel with a smooth, brushed finish.
- Base Covers are available in the same finishes.

Accessories

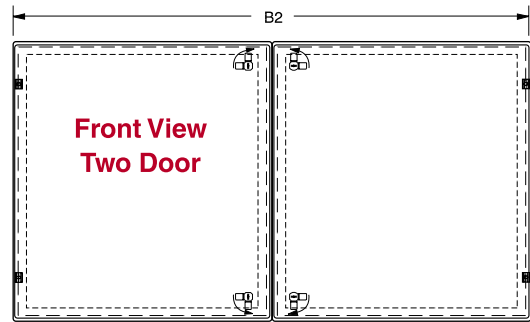
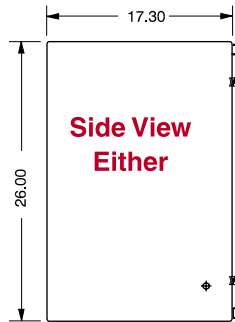
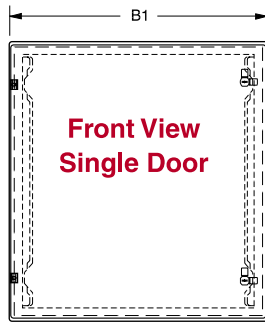
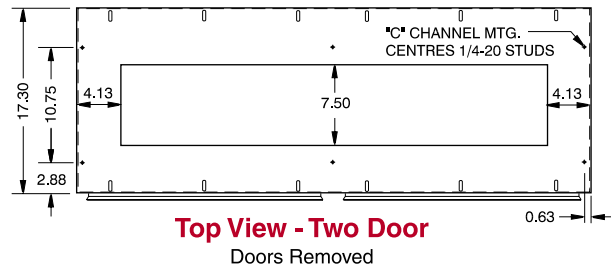
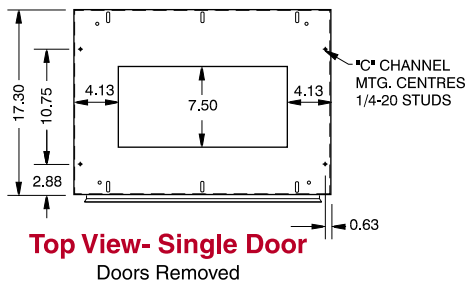
- Air conditioners...*see page 389*
- Base cover...*see page 266*
- Base panel...*see page 267*
- Base window door...*see page 267*
- Blowers...*see page 406*
- Filter fans...*see page 408-414*
- Fan trays...*see page 416*
- Heaters...*see page 418-420*
- Series 2000 Modular Console Accessories...*see page 264-271*
- Rack Mount Accessories...*see page 272-274*

Modular Console System

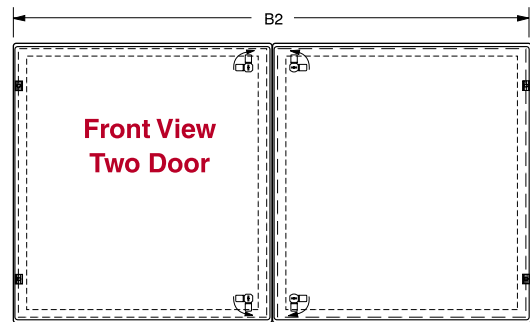
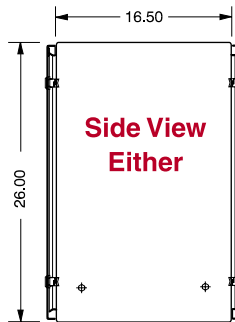
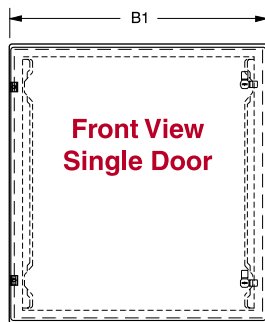
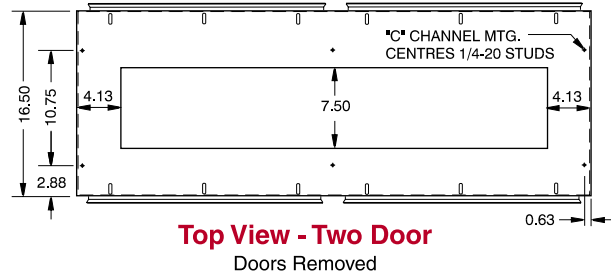
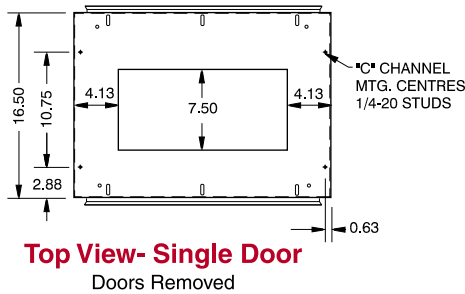
Series 2000 Modular Console System - NEMA 12, 4, 4X Base Units

Operator Interface Enclosure

Single Access



Dual Access



Modular Console System

Single Access

RAL 7032 Beige Part No.	ANSI 61 Gray Part No.	Stainless Steel Part No.	B1	B2
2CRB262418	2CPB262418	2CSB262418	24	n/a
2CRB263618	2CPB263618	2CSB263618	36	n/a
2CRB264818	2CPB264818	2CSB264818	n/a	48
2CRB266018	2CPB266018	2CSB266018	n/a	60

Dual Access

RAL 7032 Beige Part No.	ANSI 61 Gray Part No.	Stainless Steel Part No.	B1	B2
2CRBX262418	2CPBX262418	2CSBX262418	24	n/a
2CRBX263618	2CPBX263618	2CSBX263618	36	n/a
2CRBX264818	2CPBX264818	2CSBX264818	n/a	48
2CRBX266018	2CPBX266018	2CSBX266018	n/a	60

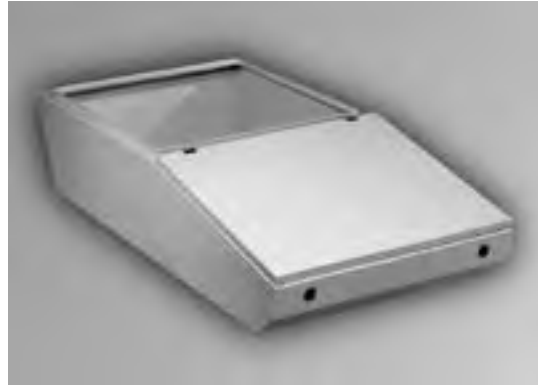
Series 2000 Modular Console System - NEMA 12, 4, 4X Desk Units

Operator Interface Enclosure

Modular Console System



Standard Desk



Deep Desk



Application

- Generally used in combination with other modular console components (ie. base, pedestal, and/or turret).
- Provides an ideal sloped surface for mounting keyboards, switches, indicator lights, and/or dials.
- Open top permits mounting of a turret (usually for CRT applications) or an optional hinged desk cover (providing a flat, sturdy desk surface).
- Available in either Standard (will support Standard Turret only) or Deep (will support Deep Turret only) format.
- Smooth lines and clean edges provide an attractive, contemporary appearance.

Standards

RAL 7032 Beige

- UL 508 Type 12
- CSA Type 12
- **Complies with**
 - NEMA Type 12
 - IEC 60529, IP54

ANSI 61 Gray

- UL 508 Type 3R, 4, 12
- CSA Type 3R, 4, 12
- **Complies with**
 - NEMA Type 3R, 4, 12
 - IEC 60529, IP66

Stainless Steel (Type 304)

- UL 508 Type 3R, 4, 4X, 12
- CSA Type 3R, 4, 4X, 12
- **Complies with**
 - NEMA Type 3R, 4, 4X, 12
 - IEC 60529, IP66

Construction

- Formed 14 gauge steel bodies with 14 gauge steel lid.
- Also offered with formed 14 gauge 304 stainless steel bodies with 14 gauge 304 stainless steel lid.
- Smooth, continuously welded seams without knockouts or holes.
- Body stiffeners are provided where required for increased strength and rigidity.
- Offered in 4 widths 24", 36", 48" and 60".
- Solid sides and back, lid on sloped top area, open on flat top area, bottom is solid under lid area and open under flat top area.
- Deep Desk has a 6.7" deeper top opening than standard desk allowing for support of Deep Turret - see drawings as Deep Desk has different profile (angled back) from Standard Desk (flat back.)
- Lid profiles provide increased strength.
- Formed lip on enclosure excludes flowing liquids and contaminants.
- Slotted quarter turn oil-tight latches secure the lid, with optional tamper resistant and locking latches available.
- Stainless steel models utilize stainless steel hardware.
- Oil resistant gaskets are permanently secured.
- Features several internal stud locations for mounting Desk Inner Panel.
- A bonding screw is provided on the lid and a grounding stud is provided in the enclosure.

Finish

- Available in RAL 7032 beige powder coating, ANSI 61 gray powder coating and natural stainless steel with a smooth, brushed finish.
- Desk covers available in same finishes.

Accessories

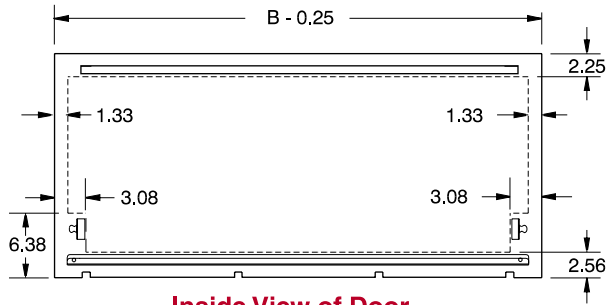
- Desk cover...see page 266
- Desk inner panel...see page 268

Series 2000 Modular Console System - NEMA 12, 4, 4X Desk Units

Operator Interface Enclosure

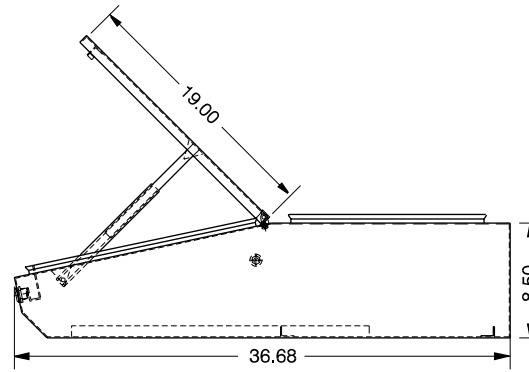
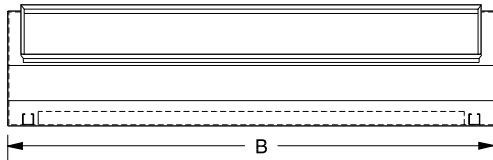
Modular Console System

Standard Desk Unit

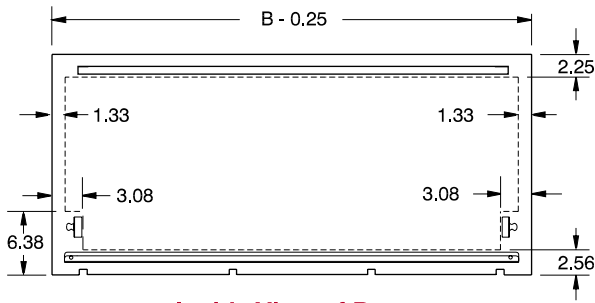


Inside View of Door

Clearance area for mounting hardware on desk unit sloping door

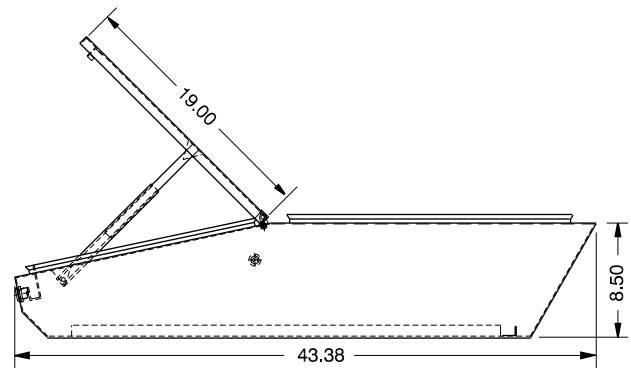


Deep Desk Unit



Inside View of Door

Clearance area for mounting hardware on desk unit sloping door



Standard Desk Unit

RAL 7032 Beige Part No.	ANSI 61 Gray Part No.	Stainless Steel Part No.	B
2CRD82436	2CPD82436	2CSD82436	24
2CRD83636	2CPD83636	2CSD83636	36
2CRD84836	2CPD84836	2CSD84836	48
2CRD86036	2CPD86036	2CSD86036	60

Deep Desk Unit

RAL 7032 Beige Part No.	ANSI 61 Gray Part No.	Stainless Steel Part No.	B
2CRD82443	2CPD82443	2CSD82443	24
2CRD83643	2CPD83643	2CSD83643	36
2CRD84843	2CPD84843	2CSD84843	48
2CRD86043	2CPD86043	2CSD86043	60

Series 2000 Modular Console System - NEMA 12, 4, 4X Turret Units

Operator Interface Enclosure



Standard Turret



Deep Turret



Application

- Ideal as a housing for video screens.
- Flexible design provides panel mount or rack mount capabilities for a variety of applications.
- Generally used in combination with other modular console components (ie. base, pedestal, and/or desk).
- Available in either Standard (supported by Base, Pedestal, or Standard Desk) or Deep (supported by Deep Desk only) format.
- Smooth lines and clean edges provide an attractive, contemporary appearance.

Standards

RAL 7032 Beige

- UL 508 Type 12
- CSA Type 12
- EIA RS-310-D
- **Complies with**
 - NEMA Type 12
 - IEC 60529, IP54

ANSI 61 Gray

- UL 508 Type 3R, 4, 12
- CSA Type 3R, 4, 12
- EIA RS-310-D
- **Complies with**
 - NEMA Type 3R, 4, 12
 - IEC 60529, IP66

Stainless Steel (Type 304)

- UL 508 Type 3R, 4, 4X and 12
- CSA Type 3R, 4, 4X and 12
- EIA RS-310-D
- **Complies with**
 - NEMA Type 3R, 4, 4X, 12
 - IEC 60529, IP66

Construction

- Formed 14 gauge steel bodies with 14 gauge steel doors.
- Also offered with formed 14 gauge 304 stainless steel bodies with 14 gauge 304 stainless steel doors.
- Smooth, continuously welded seams without knockouts or holes.
- Body stiffeners are provided where required for increased strength and rigidity.
- Offered in 4 widths 24", 36", 48" and 60".
- Features solid sides and top, solid door on front (opens down) and back (opens up), and open bottom.
- Front door features sliding rod mechanism, which allows a 102° opening when in the lowered position.
- Rear door features manual, 3 position adjustable door stop which provides convenient support while door in open position.
- Formed lip on enclosure excludes flowing liquids and contaminants.
- Slotted quarter turn oil-tight latches secure the door, with optional tamper resistant and locking latches available.
- Stainless steel models utilize stainless steel hardware.
- Oil resistant gaskets are permanently secured and mechanically retained.
- Features several internal stud locations for mounting of various accessories.
- A bonding screw is provided on the door and a grounding stud is provided in the enclosure.

Finish

- Available in RAL 7032 beige powder coating, ANSI 61 gray powder coating and natural stainless steel with a smooth, brushed finish.
- 24" Front Window Door available in same finishes.

Accessories

- Air conditioners...see page [389-405](#)
- Blowers...see page [406](#)
- Filter fans...see page [408-414](#)
- Fan trays...see page [416](#)
- Heaters...see page [418-420](#)
- Turret/Terminal Window Door...see page [265](#)
- Series 2000 Modular Console Accessories...see page [264-271](#)
- Rack Mount Accessories...see page [272-274](#)

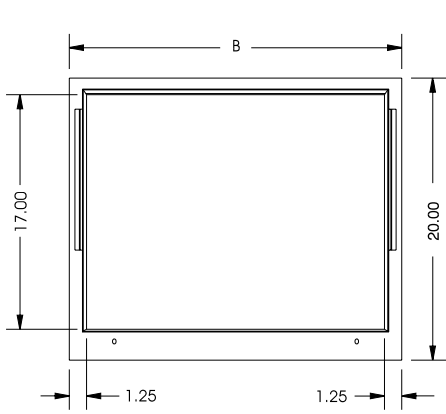
Modular Console System

Series 2000 Modular Console System - NEMA 12, 4, 4X Turret Units

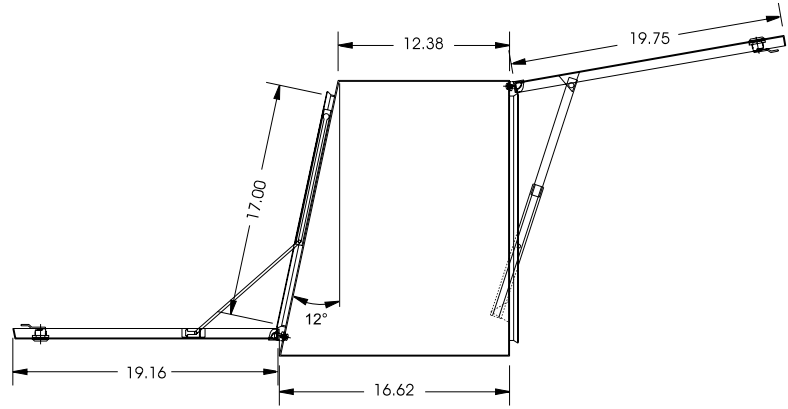
Operator Interface Enclosure

Modular Console System

Standard Turret

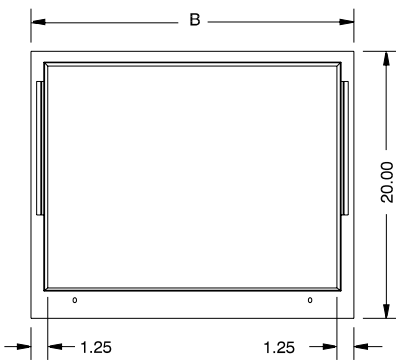


Front View

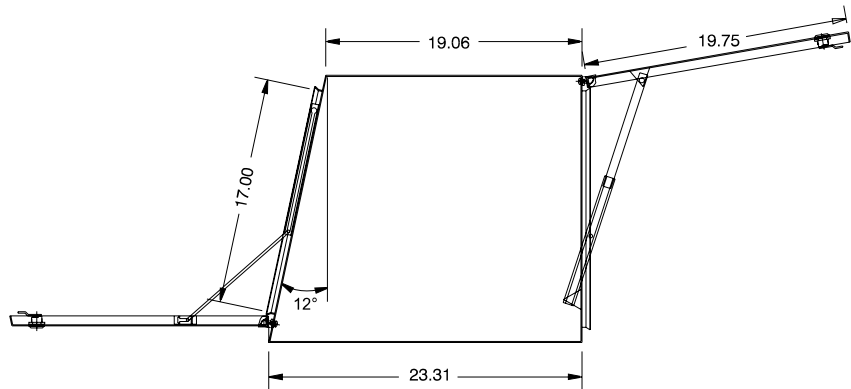


Side View

Deep Turret



Front View



Side View

Standard Turret

RAL 7032 Beige Part No.	ANSI 61 Gray Part No.	Stainless Steel Part No.	B
2CRT202436	2CPT202436	2CST202436	24
2CRT203636	2CPT203636	2CST203636	36
2CRT204836	2CPT204836	2CST204836	48
2CRT206036	2CPT206036	2CST206036	60

Deep Turret

RAL 7032 Beige Part No.	ANSI 61 Gray Part No.	Stainless Steel Part No.	B
2CRT202443	2CPT202443	2CST202443	24
2CRT203643	2CPT203643	2CST203643	36
2CRT204843	2CPT204843	2CST204843	48
2CRT206043	2CPT206043	2CST206043	60

Series 2000 Modular Console System - NEMA 12, 4, 4X Consolet

Operator Interface Enclosure



Note: Plinth and footrest shown in photo are optional.

Application

- Serves as an economical housing for operator interface applications.
- Provides an ideal sloped surface for mounting keyboards, switches, indicator lights, and/or dials.
- Provides panel mounting capabilities for a variety of applications.
- Generally used as a stand alone enclosure. Possible to put side by side with base on a single plinth (ie. 36" wide consolet with 24" base with terminal all together on a 60" plinth.
- Optional casters (require plinth) allow for a completely mobile, NEMA rated work station.
- Smooth lines and clean edges provide an attractive, contemporary appearance.

Standards

RAL 7032 Beige

- UL 508 Type 12
- CSA Type 12
- **Complies with**
 - NEMA Type 12
 - IEC 60529, IP54

ANSI 61 Gray

- UL 508 Type 3R, 4, 12
- CSA Type 3R, 4, 12
- **Complies with**
 - NEMA Type 3R, 4, 12
 - IEC 60529, IP66

Stainless Steel (Type 304)

- UL 508 Type 3R, 4, 4X, 12
- CSA Type 3R, 4, 4X, 12
- **Complies with**
 - NEMA Type 3R, 4, 4X, 12
 - IEC 60529, IP66

Construction

- Formed 14 gauge steel bodies with 14 gauge steel door and lid.
- Also offered with formed 14 gauge 304 stainless steel bodies with 14 gauge 304 stainless steel door and lid.
- Smooth, continuously welded seams without knockouts or holes.
- Body stiffeners are provided where required for increased strength and rigidity.
- Offered in 4 widths 24", 36", 48" and 60".
- Has solid sides and back, solid door on front, 3 point adjustable lid on sloped (20°) top, and closed bottom with removable access panel.
- 24" and 36" widths have single door on the front whereas 48" and 60" widths have two outside hinged doors on the front.
- Doors can be hinged from either side on 24" and 36" units.
- Door profiles provide increased strength and are pre-punched to provide mounting options.
- Formed lip on enclosure excludes flowing liquids and contaminants.
- Slotted quarter turn oil-tight latches secure the door and lid, with optional tamper resistant and locking latches available.

- Stainless steel models utilize stainless steel hardware.
- Oil resistant gaskets are permanently secured and mechanically retained.
- Features internal stud locations for mounting optional inner panel.
- A bonding screw is provided on the door and a grounding stud is provided in the enclosure.

Finish

- Available in RAL 7032 beige powder coating, ANSI 61 gray powder coating and natural stainless steel with a smooth, brushed finish.

Accessories

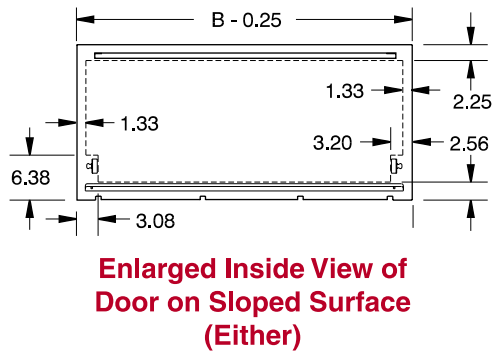
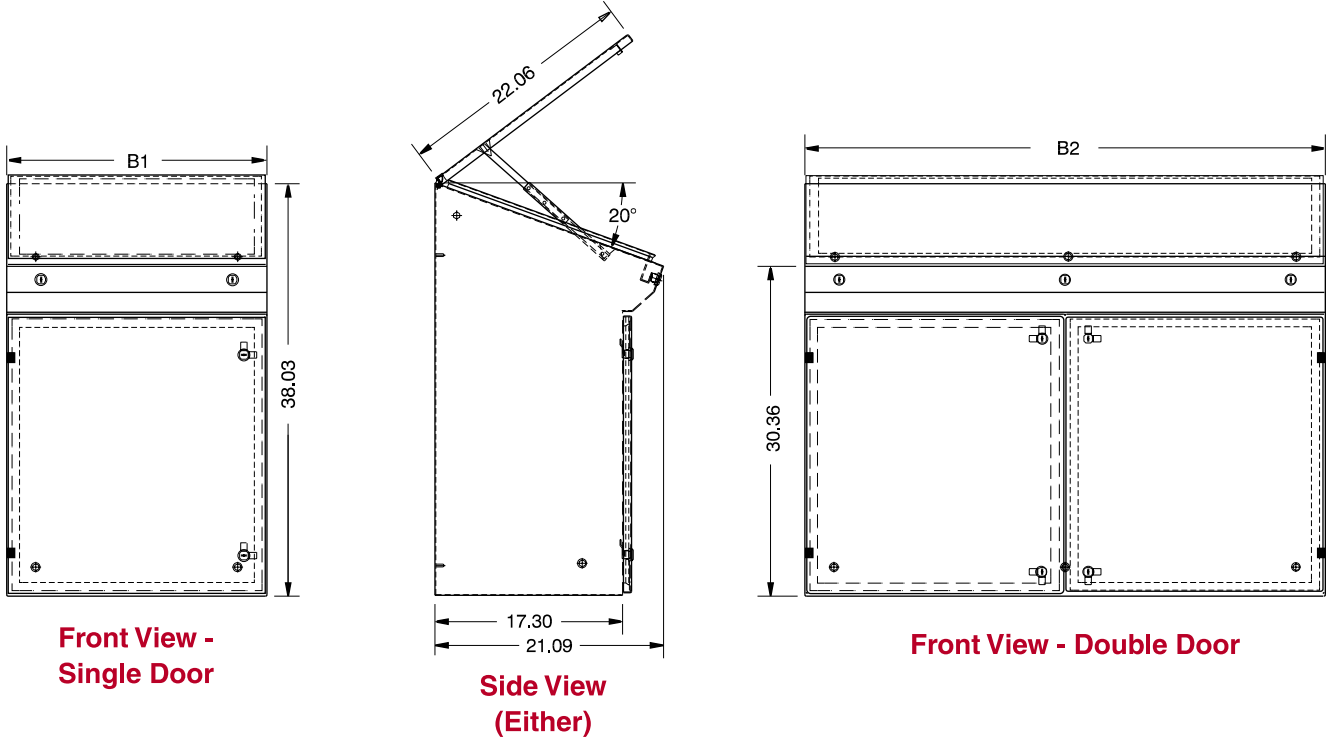
- Air conditioners...see page **389-405**
- Blowers...see page **406**
- Consolet Panel...see page **267**
- Filter fans...see page **408-414**
- Fan trays...see page **416**
- Heaters...see page **418-420**
- Series 2000 Modular Console Accessories...see page **264-271**

Modular Console System

Series 2000 Modular Console System - NEMA 12, 4, 4X Consolelet

Operator Interface Enclosure

Modular Console System



RAL 7032 Beige Part No.	ANSI 61 Gray Part No.	Stainless Steel Part No.	B1	B2
2CRC2024	2CPC2024	2CSC2024	24	n/a
2CRC2036	2CPC2036	2CSC2036	36	n/a
2CRC2048	2CPC2048	2CSC2048	n/a	48
2CRC2060	2CPC2060	2CSC2060	n/a	60

Series 2000 Modular Console System - NEMA 12, 4, 4X Terminal

Operator Interface Enclosure



Note: Pedestal, plinth and casters shown in photo are optional.



Note: Base and plinth shown in photo are optional.



Application

- Ideal as a housing for a complete personal computer system including video screen, keyboard and PLC.
- Flexible design provides panel mount or rack mount capabilities for a variety of applications.
- Generally used in combination with other modular console components (ie. base or pedestal). Mounting on base provides extra room for PLC's and/or printer-paper stands.
- Optional casters (require plinth) allow for a completely mobile, NEMA rated work station.
- Smooth lines and clean edges provide an attractive, contemporary appearance.

Standards

RAL 7032 Beige

- UL 508 Type 12
- CSA Type 12
- EIA RS-310-D
- **Complies with**
 - NEMA Type 12
 - IEC 60529, IP54

ANSI 61 Gray

- UL 508 Type 3R, 4, 12
- CSA Type 3R, 4, 12
- EIA RS-310-D
- **Complies with**
 - NEMA Type 3R, 4, 12
 - IEC 60529, IP66

Stainless Steel (Type 304)

- UL 508 Type 3R, 4, 4X, 12
- CSA Type 3R, 4, 4X, 12
- EIA RS-310-D
- **Complies with**
 - NEMA Type 3R, 4, 4X, 12
 - IEC 60529, IP66

Construction

- Formed 14 gauge steel bodies with 14 gauge steel doors.
- Also offered with formed 14 gauge 304 stainless steel bodies with 14 gauge 304 stainless steel doors.
- Smooth, continuously welded seams.
- Body stiffeners are provided where required for increased strength and rigidity.
- Offered in 24" width only.
- Features solid sides and top, 2 solid doors on front (both open downlower, smaller door for keyboard shelf) and back (opens up), and open bottom.
- Lower drop down door provides access to optional slide-out keyboard drawer.
- Front doors feature sliding rod mechanism which allows a 102° opening when in the lowered position.
- Rear door features manual, 3 position adjustable door stop which provides convenient support while door in open position.
- Formed lip on enclosure excludes flowing liquids and contaminants.
- Slotted quarter turn oil-tight latches secure the door, with optional tamper resistant and locking latches available.

- Stainless steel models utilize stainless steel hardware.
- Oil resistant gaskets are permanently secured and mechanically retained.
- Features several internal stud locations for mounting of various accessories.
- A bonding screw is provided on the door and a grounding stud is provided in the enclosure.

Finish

- Available in RAL 7032 beige powder coating, ANSI 61 gray powder coating and natural stainless steel with a smooth, brushed finish.
- 24" Front Window Door available in same finishes.

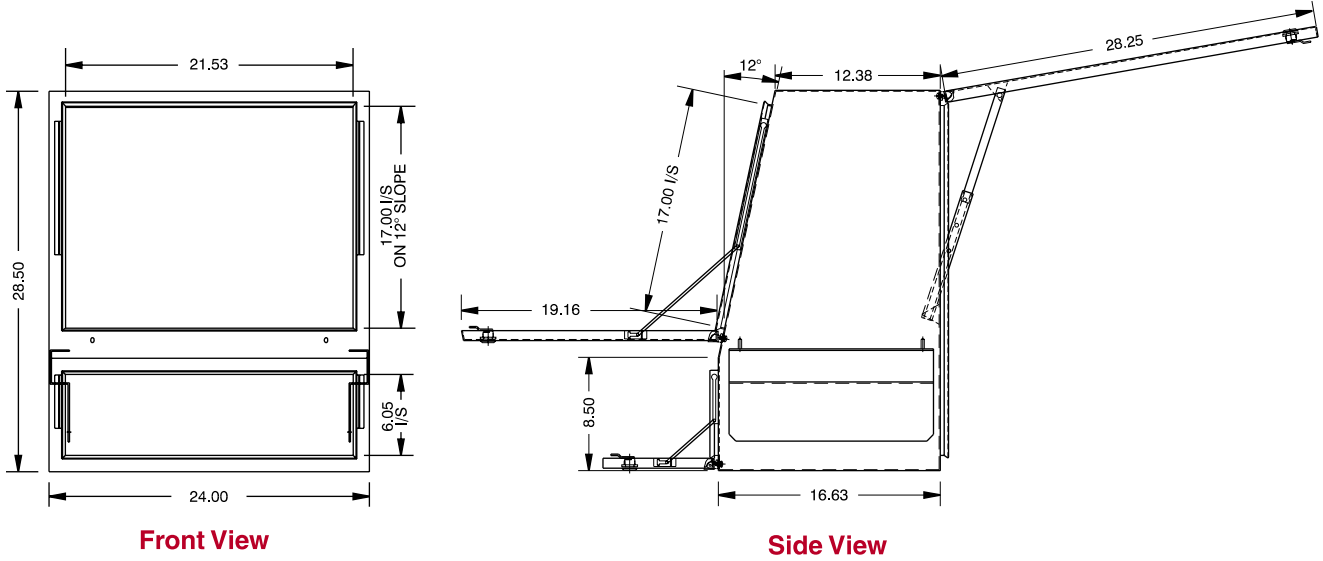
Accessories

- Air conditioners...see page [389-405](#)
- Blowers...see page [406](#)
- Data Terminal Extension Ring...see page [265](#)
- Filter fans...see page [408-414](#)
- Fan trays...see page [416](#)
- Heaters...see page [418-420](#)
- Terminal Keyboard Shelf...see page [268](#)
- Turret/Terminal Window Door...see page [265](#)
- Series 2000 Modular Console Accessories...see page [264-271](#)
- Rack Mount Accessories...see page [272-274](#)

Modular Console System

Series 2000 Modular Console System - NEMA 12, 4, 4X Terminal

Operator Interface Enclosure



Front View

Side View

Note: For added depth, see Data Terminal Extension Ring...see page 265

Part No.	Finish
2CRD24R	Type 12 RAL 7032 Beige
2CPD24R	Type 4, ANSI 61 Gray
2CSD24R	Type 4, 4X Stainless Steel

Terminal Keyboard shelf is optional...see page 268

Modular Console System

Series 2000 Modular Console System - NEMA 12, 4, 4X

Master Selection Tables

Operator Interface Enclosure



Master Selection Table - Modular Console System Components

System Width	Single Access Base	Dual Access Base	Standard Desk	Deep Desk
Type 12 RAL 7032 Beige				
24"	2CRB262418	2CRBX262418	2CRD82436	2CRD82443
36"	2CRB263618	2CRBX263618	2CRD83636	2CRD83643
48"	2CRB264818	2CRBX264818	2CRD84836	2CRD84843
60"	2CRB266018	2CRBX266018	2CRD86036	2CRD86043
Type 4, ANSI 61 Gray				
24"	2CPB262418	2CPBX262418	2CPD82436	2CPD82443
36"	2CPB263618	2CPBX263618	2CPD83636	2CPD83643
48"	2CPB264818	2CPBX264818	2CPD84836	2CPD84843
60"	2CPB266018	2CPBX266018	2CPD86036	2CPD86043
Type 4, 4X Stainless Steel				
24"	2CSB262418	2CSBX262418	2CSD82436	2CSD82443
36"	2CSB263618	2CSBX263618	2CSD83636	2CSD83643
48"	2CSB264818	2CSBX264818	2CSD84836	2CSD84843
60"	2CSB266018	2CSBX266018	2CSD86036	2CSD86043

Master Selection Table - Data Terminal

System Width	Plinth 4"	Plinth 8"	Footrest	Pedestal	24" Window Door	Terminal Keyboard Shelf
Type 12 RAL 7032 Beige						
24"	2CRP42418	2CRP82418	2CRF24	2CRS	2CRTW24	2CWDSR
Type 4, ANSI 61 Gray						
24"	2CPP42418	2CPP82418	2CPF24	2CPS	2CPTW24	2CWDSR
Type 4, 4X Stainless Steel						
24"	2CSP42418	2CSP82418	2CSF24	2CSS	2CSTW24	2CWDSR

Master Selection Table - Consolelet

System Width	Consolelet	Plinth 4"	Plinth 8"	Footrest	Consolelet Panel
Type 12 RAL 7032 Beige					
24"	2CRC2024	2CRP42418	2CRP82418	2CRF24	2CWCP24
36"	2CRC2036	2CRP43618	2CRP83618	2CRF36	2CWCP36
48"	2CRC2048	2CRP44818	2CRP84818	2CRF48	2CWCP48
60"	2CRC2060	2CRP46018	2CRP86018	2CRF60	2CWCP60
Type 4, ANSI 61 Gray					
24"	2CPC2024	2CPP42418	2CPP82418	2CPF24	2CWCP24
36"	2CPC2036	2CPP43618	2CPP83618	2CPF36	2CWCP36
48"	2CPC2048	2CPP44818	2CPP84818	2CPF48	2CWCP48
60"	2CPC2060	2CPP46018	2CPP86018	2CPF60	2CWCP60
Type 4, 4X Stainless Steel					
24"	2CSC2024	2CSP42418	2CSP82418	2CSF24	2CWCP24
36"	2CSC2036	2CSP43618	2CSP83618	2CSF36	2CWCP36
48"	2CSC2048	2CSP44818	2CSP84818	2CSF48	2CWCP48
60"	2CSC2060	2CSP46018	2CSP86018	2CSF60	2CWCP60

Modular Console System



Series 2000 Modular Console System - NEMA 12, 4, 4X

Master Selection Tables



Master Selection Table - Modular Console System Components

System Width	Standard Turret	Deep Turret	Plinth 4"	Plinth 8"	Footrest	Pedestal
Type 12 RAL 7032 Beige						
24"	2CRT202436	2CRT202443	2CRP42418	2CRP82418	2CRF24	2CRS
36"	2CRT203636	2CRT203643	2CRP43618	2CRP83618	2CRF36	—
48"	2CRT204836	2CRT204843	2CRP44818	2CRP84818	2CRF48	—
60"	2CRT206036	2CRT206043	2CRP46018	2CRP86018	2CRF60	—
Type 4, ANSI 61 Gray						
24"	2CPT202436	2CPT202443	2CPP42418	2CPP82418	2CPF24	2CPS
36"	2CPT203636	2CPT203643	2CPP43618	2CPP83618	2CPF36	—
48"	2CPT204836	2CPT204843	2CPP44818	2CPP84818	2CPF48	—
60"	2CPT206036	2CPT206043	2CPP46018	2CPP86018	2CPF60	—
Type 4, 4X Stainless Steel						
24"	2CST202436	2CST202443	2CSP42418	2CSP82418	2CSF24	2CSS
36"	2CST203636	2CST203643	2CSP43618	2CSP83618	2CSF36	—
48"	2CST204836	2CST204843	2CSP44818	2CSP84818	2CSF48	—
60"	2CST206036	2CST206043	2CSP46018	2CSP86018	2CSF60	—



Master Selection Table - Data Terminal

System Width	Data Terminal	Data Terminal Extension Ring	Single Access Base	Dual Access Base	Base Panel
Type 12 RAL 7032 Beige					
24"	2CRD24R	2CRD24X	2CRB262418	2CRBX262418	2CWBP24
Type 4, ANSI 61 Gray					
24"	2CPD24R	2CPD24X	2CPB262418	2CPBX262418	2CWBP24
Type 4, 4X Stainless Steel					
24"	2CSD24R	2CSD24X	2CSB262418	2CSBX262418	2CWBP24

Operator Interface Enclosure

Modular Console System