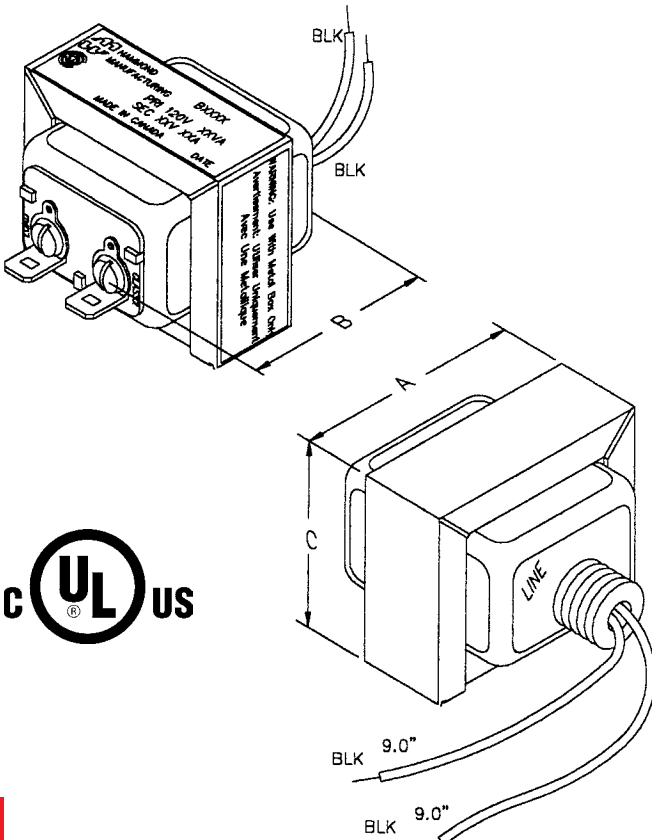


Energy Limiting (BA-BE Series)



CLASS 2 ENERGY LIMITING TRANSFORMERS

- Used in chimes, door bells, security systems, decorative lighting, furnaces, humidifiers, appliances, vending machines, intercom system type applications.
- Rugged, low noise, cool running design, indoor use only.
- Stripped wire input (primary) leads, screw terminal/quick fit tab terminal output (secondary).
- Nipple locknut mount for box installation, complete with locknut and mounting bracket (as shown below).
- Input leads are black, on 240V models 240V lead is red. All models are 60 Hz. - inherently limited - no fuses or circuit breakers.
- C UL & UL listed #E184371 - EXCEPT for part numbers BE2F & BE7G.
- CSA certified (#LR 3902 Class 2) energy limiting transformer. Complies with CSA standard C22.2 #66 part B



120 Volt Primary

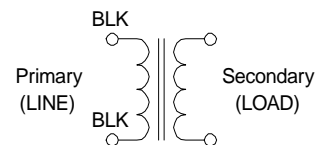
Part No.	A.C. Input (Primary) V (RMS)	A.C. Output Secondary (RMS)		Power Rating VA	Note	Dimensions (Inches)		
		V	A			A	B	C
BA2DA	120	10	0.5	5	*	2.33	2.22	1.98
BC2DA	120	10	1.2	12	*	2.33	2.22	1.98
BC2F	120	16	0.75	12	*	2.33	2.22	1.98
BC2G	120	24	0.5	12	*	2.33	2.22	1.98
BD2E	120	12	1.67	20	*	2.33	2.34	1.98
BD2EE	120	14	1.43	20	*	2.33	2.34	1.98
BD2F	120	16	1.25	20	*	2.33	2.34	1.98
BD2FF	120	18	1.11	20	*	2.33	2.34	1.98
BD2G	120	24	0.833	20	*	2.33	2.34	1.98
BE2F	120	16.5	2.42	40	*	2.33	2.60	1.98
BE2G	120	24	1.67	40	*	2.33	2.60	1.98

Notes: * 105 degree temperature design

Other Primary Voltages

Part No.	A.C. Input (Primary) V (RMS)	A.C. Output Secondary (RMS)		Power Rating VA	Note	Dimensions (Inches)		
		V	A			A	B	C
BD5F	240	16	1.25	20	*	2.33	2.34	1.98
BD5G	240	24	0.83	20	*	2.33	2.34	1.98
BE5G	240	24	1.67	40	*	2.33	2.60	1.98
BE5DG	208/240	24	1.67	40	*	2.33	2.60	1.98
BE7G	347	24	1.67	40	-	2.33	2.60	1.98

Notes: * 105 degree temperature design

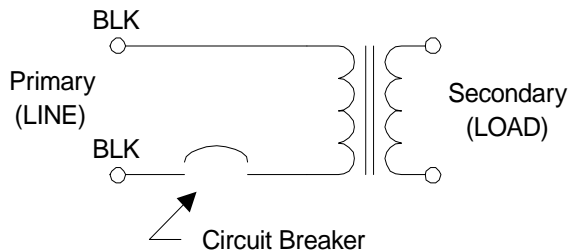


Class 2

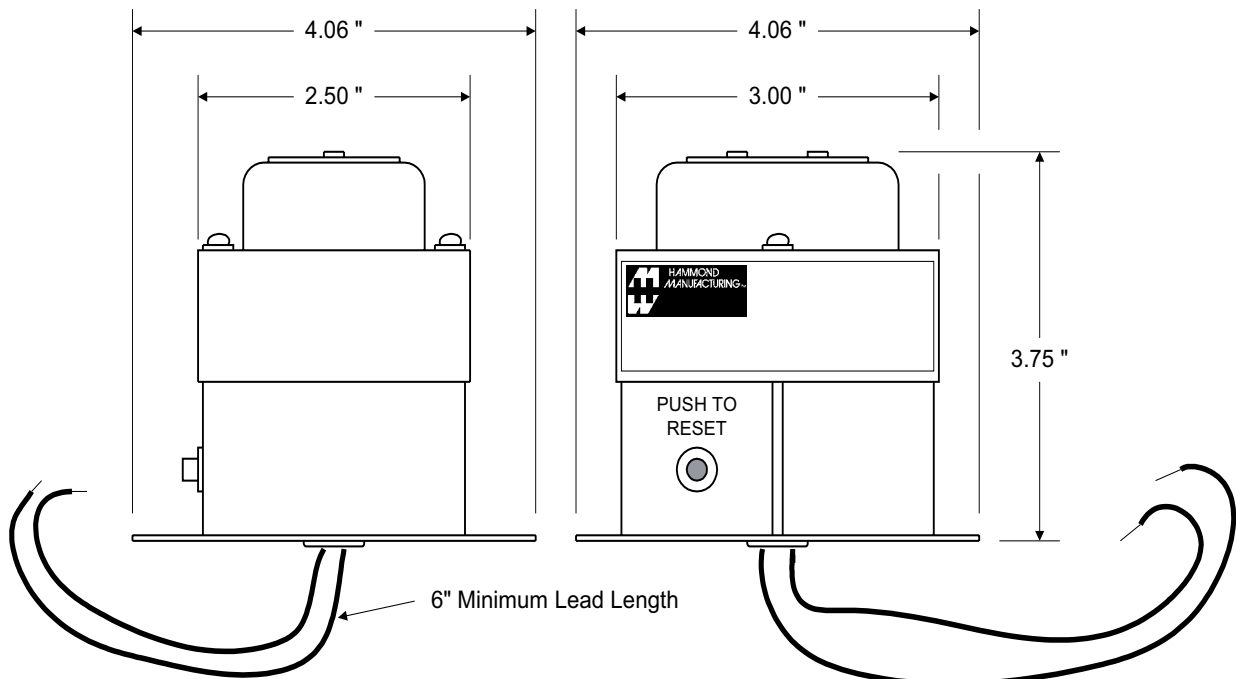
75 VA - CLASS 2 ENERGY LIMITING TRANSFORMERS



- Used in chimes, door bells, security systems, decorative lighting, furnaces, humidifiers, appliances, vending machines, intercom system type applications.
- Rugged, low noise design, indoor use only.
- Stripped wire input (primary) leads, screw terminal output (secondary).
- Mounted on box plate for easy installation.
- Input leads are black 6" minimum, on 240V models 240V lead is red.
- All models are 60 Hz. - limited by built in circuit breaker.
- 16 VAC secondary units are C UL & UL listed
- The 24 VAC secondary units are CSA certified (#LR 3902 Class 2) energy limiting transformer (complies with CSA standard C22.2 #66 part B).



Part No.	A.C. Input (Primary) V (RMS)	A.C. Output Secondary (RMS)		Power Rating VA	Dimensions (Inches)		
		V	A		A	B	C
BF2F	120	16	4.68	75	3.00	2.50	3.75
BF5F	240	16	4.68	75	3.00	2.50	3.75
BF2G	120	24	3.13	75	3.00	2.50	3.75
BF5G	240	24	3.13	75	3.00	2.50	3.75



Class 2

Energy Limiting (BP Series)



CLASS 2 - PLUG IN ENERGY LIMITING TRANSFORMERS

- Used in AC powered chimes, door bells, security systems, decorative lighting, furnaces, humidifiers, appliances, vending machines and intercom system type applications.
- Enclosed in an attractive plug in black plastic case.
- For indoor use only
- Input 120VAC - 20VA units are inherently limited - no fuses or circuit breakers.
- 40VA units use an internal slow blow fuse.
- Secondary - 2 recessed slot head screw terminals (on plug side).
- All models are 60 Hz.
- CSA certified (#LR 113601) and UL listed (#E 184936)

Part No.	A.C. Input (Primary) V (RMS)	A.C. Output Secondary (RMS)		Power Rating VA
		V	A	
BPD2E	120	12	1.67	20
BPD2EE	120	14	1.43	20
BPD2F	120	16	1.25	20
BPD2FF	120	18	1.11	20
BPD2G	120	24	0.83	20
BPE2E	120	12	3.33	40
BPE2EE	120	14	2.86	40
BPE2F	120	16	2.50	40
BPE2FF	120	18	2.22	40
BPE2G	120	24	1.67	40

Class 2

