

Eclipse Series - NEMA 4X

Accessories

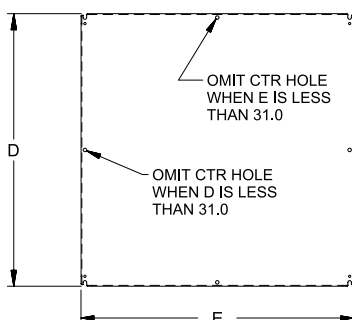


Eclipse Inner Panel

- Larger than standard NEMA panel used in same sized enclosure.
- Larger sizes have 2 or 4 formed flanges for added strength.
- Slotted corner design for easier mounting.
- Finished in white or unpainted galvanized.

Mild Steel Part No.	Galvanized Part No.	Size		
		D	E	Gauge
EP1212	EPG1212	10.2	10.2	12
EP1224	EPG1224	10.2	22.2	12
EP1612	EPG1612	14.2	10.2	12
EP1616	EPG1616	14.2	14.2	12
EP1620	EPG1620	14.2	18.2	12
EP2012	EPG2012	18.2	10.2	12
EP2016	EPG2016	18.2	14.2	12
EP2020	EPG2020	18.2	18.2	12
EP2024	EPG2024	18.2	22.2	12
EP2412	EPG2412	22.2	10.2	12
EP2416	EPG2416	22.2	14.2	12
EP2420	EPG2420	22.2	18.2	12
EP2424	EPG2424	22.2	22.2	12
EP2430	EPG2430	22.2	28.2	12
EP2442	EPG2442	22.2	40.2	12
EP2448	EPG2448	22.2	46.2	12
EP3012	EPG3012	28.2	10.2	12
EP3016	EPG3016	28.2	14.2	12
EP3020	EPG3020	28.2	18.2	12
EP3024	EPG3024	28.2	22.2	12

Mild Steel Part No.	Galvanized Part No.	Size		
		D	E	Gauge
EP3030	EPG3030	28.2	28.2	12
EP3036	EPG3036	28.2	34.2	12
EP3042	EPG3042	28.2	40.2	12
EP3048	EPG3048	28.2	46.2	12
EP3060	EPG3060	28.2	58.2	12
EP3624	EPG3624	34.2	22.2	12
EP3630	EPG3630	34.2	28.2	12
EP3636	EPG3636	34.2	34.2	12
EP3642	EPG3642	34.2	40.2	12
EP3648	EPG3648	34.2	46.2	12
EP3660	EPG3660	34.2	58.2	12
EP4224	EPG4224	40.2	22.2	12
EP4230	EPG4230	40.2	28.2	12
EP4236	EPG4236	40.2	34.2	12
EP4824	EPG4824	46.2	22.2	12
EP4830	EPG4830	46.2	28.2	12
EP4836	EPG4836	46.2	34.2	12
EP6036	EPG6036	58.2	34.2	12
EP7230	EPG7230	70.2	28.2	12
EP7236	EPG7236	70.2	34.2	12



Corrosion Resistant



Eclipse Swing Panel

- Hinged panel allows access to internally mounted equipment.
- 12 gauge steel construction.
- Slotted quarter turn latches provide closure.
- Adding optional locking quarter turn latches (Part Number **EQTRL**...see page 30) convert this to a dead front panel.
- Complete with 4-6" depth adjustment channels.
- Hardware kit maintains UL, CSA and NEMA ratings when field installed.
- Finished in white.



Part No.	Fits Enclosure Size (A x B)
ESP1212	12 x 12
ESP1612	16 x 12
ESP1616	16 x 16
ESP2016	20 x 16
ESP2416	24 x 16
ESP1620	16 x 20
ESP2020	20 x 20
ESP2420	24 x 20

Part No.	Fits Enclosure Size (A x B)
ESP3020	30 x 20
ESP2024	20 x 24
ESP2424	24 x 24
ESP3024	30 x 24
ESP3624	36 x 24
ESP3030	30 x 30
ESP3630	36 x 30
ESP3636	36 x 36

Wallmount Enclosures



Eclipse Replacement Hinge Pins

- These are supplied with enclosure but offered here as replacements should originals be misplaced.
- Packaged in quantities of 5.

Part No.	Material
EPINSS	Stainless steel hinge pin



Eclipse Swing Frame

- Provides 19" rack mounting with full EIA spacing (punched holes).
- Hinges allow easy equipment access.
- Slotted quarter turn latches provide closure.
- Adding optional locking quarter turn latches (**EQTRL**...see page 80) provides added security.
- Complete with 4-6" depth adjustment channels.

- Order package of 25 clip nuts separately (Part No. **1421N25**...see page 430).
- Hardware kit maintains UL, CSA and NEMA ratings when field installed.
- Finished in black.



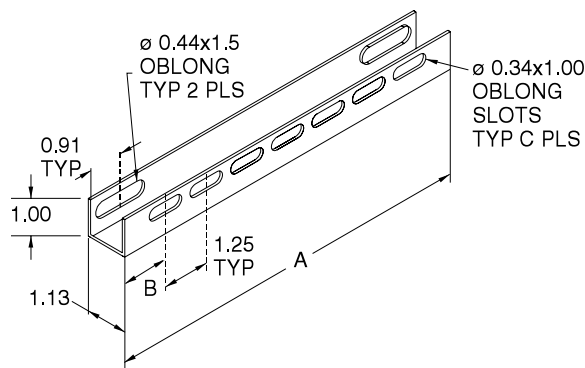
Part No.	Fits Enclosure Size (A x B)		Rack Spacing	
	Width	Height (Units)	Width	Height (Units)
ESF2424	24 x 24	19	11	11
ESF3024	30 x 24	19	14	14
ESF3624	36 x 24	19	17	17



DIN Rail Mounting Kit

- Field installable.
- Mounts directly to panel collar studs (panel not required).
- Accepts optional DIN rails, see below.
- DIN rails available separately.
- Zinc plated, yellow dichromate.

Part No.	A	B	C
2DMK12	10	1.25	7
2DMK16	14	0.75	11
2DMK20	18	0.88	14
2DMK24	22	1.00	17
2DMK30	28	0.88	22



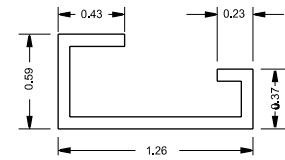
Eclipse Series - NEMA 4X

Accessories

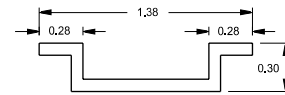


DIN Rails

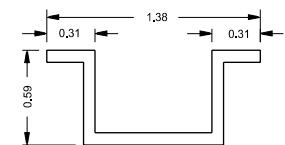
- Field installable.
- Includes a set of 3 plated rails.
- Available in 3 industry standard profiles - DIN 1, DIN 3, and CENELEC.
- DIN rail mounting kit required for installation (see above).
- Rails have a 0.28 x 1.25 oblong slot on each end.
- Zinc plated.



Asymmetric DIN 1 Pro



Symmetric DIN 3 Pro



CENELEC Pro

Asymmetric Din 1 Profile Part No.	Symmetric Din 3 Profile Part No.	Cenelec Profile Part No.	Length
2D1K12	2D2K12	2DCK12	9.25
2D1K16	2D2K16	2DCK16	13.25
2D1K20	2D2K20	2DCK20	17.25
2D1K24	2D2K24	2DCK24	21.25
2D1K30	2D2K30	2DCK30	27.25

Quarter Turn Inserts and Keys



- Field installable inserts replace standard quarter turn slot.
- Available in 7mm square and triangle formats, as well as slotted.
- Square and triangle inserts provide extra security since standard screw drivers cannot open.
- Keys sold separately from inserts.
- Maintains NEMA, UL and CSA 12, 4 and 4X ratings.

Part No.	Description
2SQI7	7mm square insert, black
2SQK7	7mm square key, fits 2SQI7
2TRI7	7mm triangle insert, black
2TRK7	7mm triangle key, fits 2TRI7
2SLI	Slotted insert, black

Replacement Quarter Turn Assemblies

- Field installable.
- Interchangeable with standard quarter turn latches.
- Maintains NEMA, UL and CSA ratings as noted.



Part No.	Description	Material	NEMA Rating
EQTRL ¹	Locking Qtr Turn	Zinc Die/Chrome	n/a (internal use only)
2QTR	Slotted Qtr Turn	Zinc Die/Black	12, 4
2SSQTR	Slotted Qtr Turn	Stainless steel	12, 4, 4X
2WKL	Wing knob lock	Zinc Die/Black	12, 4
2QPL	Padlockable quarter turn latch	Zinc Die/Black	12, 4

¹ For use with Swing Frame/Panel...see page 78. All others for use with enclosures.

Corrosion Resistant Wallmount Enclosures

Eclipse Series - NEMA 4X

Accessories



Handles

- Field installable.
- Interchangeable with standard quarter turn latches.
- Maintain NEMA, UL and CSA ratings as noted.

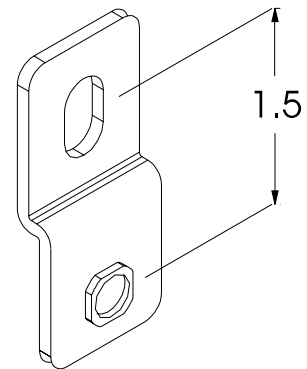
Part No.	Description	Material	NEMA Rating
EHTL	Locking T Handle	Zinc Die/Black	12, 4
EHL	Locking L Handle	Zinc Die/Black	12, 4
EHLPL	Padlockable L Handle	Zinc Die/Black	12
EHLPLSS	Padlockable L Handle	Stainless Steel	12, 4, 4X
EHLNLSS	Non Locking L Handle	Stainless Steel	12, 4, 4X



Eclipse Mounting Foot Kit

- Maintains UL, CSA and NEMA ratings.
- Field installable.
- Pilot sits squarely into enclosure mounting holes for horizontal or vertical positioning.
- Available in plated black and stainless steel.
- Packaged in quantities of four.

Part No.	Material
EZPMF	Mild Steel
ESSMF	Type 304 Stainless
ES16MF	Type 316 Stainless



Eclipse Padlock Adaptor

- For use with EN4SD Series Enclosures.
- Padlock adaptor fits directly over the slotted quarter turn preventing access.
- 2mm thick 14 gauge stainless steel.
- Stainless steel mounting hardware provided
- Once installed, the bolts cannot be removed without the door open.
- Easy installed in the field.
- Padlock not included.
- Maintains UL/CSA Type 4 rating.

Part No.	EPA

Corrosion Resistant

Wallmount Enclosures

Polyester Modular Enclosures - NEMA 4X

PJ Accessories

PJ Series Inner Panel

- 14 gauge steel panels are finished in white baked powder coating.
- Aluminum panels are 0.080" (2.03 mm) type 5052 H-32 aluminum, unpainted. A2420 and larger panels are 0.125".
- Fiberglass inner panels are Finished in white
- Hardware to mount inner panel is included with PJ Series Enclosures.

Steel Part No.	Aluminum Part No.	Fiberglass Part No.	Fiberglass Thickness	Panel		For Use With PJ Series	
				Length	Width	A	B
14R0505	14A0505	14F0505	0.125	4.88	4.88	6.10	6.10
14R0705	14A0705	14F0705	0.125	6.75	4.88	8.00	6.13
14R0907	14A0907	14F0907	0.125	8.75	6.88	10.14	8.26
14R1109	14A1109	14F1109	0.125	10.75	8.88	12.14	10.26
14R1311	14A1311	14F1311	0.187	12.75	10.88	14.13	12.25
14R1513	14A1513	14F1513	0.187	14.75	12.88	16.28	14.40
P1868	A1868	F1868	0.187	16.88	14.88	18.40	16.40
P2068	A2068	F2068	0.250	18.44	14.44	20.00	16.00
18P2117	A2420	F2420	0.250	21.00	17.00	24.00	20.00
18P2121	A2424	F2424	0.250	21.00	21.00	24.00	24.00
18P2721	A3024	F3024	0.250	27.00	21.00	30.00	24.00

Moulded Polycarbonate Flange For PJU Series (sold in Pairs)



Part No.	PJU Flange Fits
PJFPUWM6	6x6, 8x6
PJFPUWM108	10x8
PJFPUWM1210	12x10
PJFPUWM1412	14x12
PJFPUWM1614	16x14
PJFPUWM1816	18x16
PJFPUWM2016	20x16

Moulded Polycarbonate Feet For PJU Series (sold in sets of 4)



Part No.	PJU Feet Fits
PJW4NUFS	6x6 through 14x12
PJW4NULFS	16x14 through 20x16

Stainless Mounting Feet For PJ Series (sold in sets of 4)



Part No.	304 SS PJ Feet Fits
PJW4NFS	6x6 through 20x16
PJW4NLS	24x20 through 30x24

PJ/PJU Series Swing Panel



Use with PJ Series Raised Lid Enclosures

Part No.	Panel Dimensions	
	Height	Width
PJSP108	9.50	7.50
PJSP1210	11.50	9.50
PJSP1412	13.50	11.50
PJSP1614	15.13	13.00
PJSP1816	17.25	15.38
PJSP2016	18.88	14.94
PJSP2020	23.25	19.38
PJSP2024	23.38	23.25
PJSP3024	29.25	23.38

Use with PJU Series Enclosures

Part No.	Panel Dimensions	
	Height	Width
PJSPU108	9.64	7.87
PJSPU1210	11.64	9.86
PJSPU1412	13.64	11.86
PJSPU1614	15.64	13.86
PJSPU1816	17.90	15.99
PJSPU2016	19.65	15.55

- Hinged aluminum panel.
- Mounts at front of enclosure body.
- Field installed with no drilling required.

Corrosion Resistant Junction Boxes

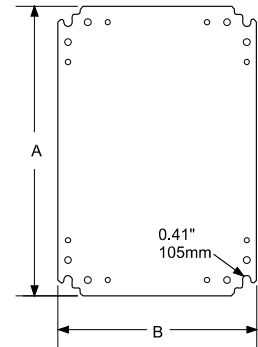
Polyester Modular Enclosures - NEMA 4X

PW Series - Accessories



PW Series Inner Panel

- Available in steel or unfinished aluminum.
- 12 gauge steel panels are finished in white baked powder coating.
- Aluminum panels are 0.125" (3.2mm) unfinished.
- Hardware to mount inner panels is included with PW enclosures.



Steel Part No.	Aluminum Part No.	Fits Enclosure		A	B
PWP4333	PWPA4333	PW433320	inch	14.37	9.84
			mm	365	250
PWP5343	PWPA5343	PW534320	inch	18.31	13.78
			mm	465	350
PWP6544	PWPA6544	PW654425	inch	22.24	13.78
			mm	565	350
PWP7554	PWPA7554	PW755430	inch	26.18	17.72
			mm	665	450
PWP8564	PWPA8564	PW856430	inch	30.12	21.65
			mm	765	550



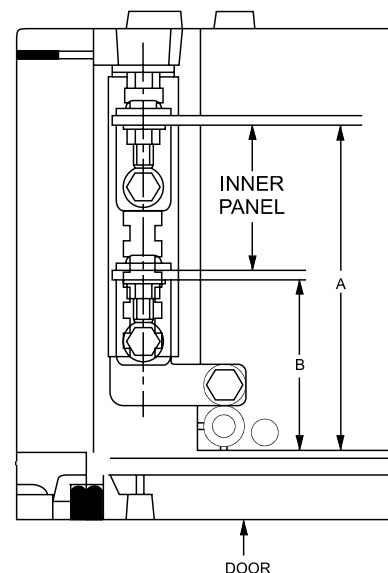
Corrosion Resistant

Wallmount Enclosures



PW Series Adjustable Depth Supports

- Supports designed to fit 200 mm (7.88"), 250 mm (9.80"), 300 mm (11.80") and 350 mm (13.8") enclosures.
- Self positioning slots allowing for adjustment every 12.5 mm (0.50").
- Made of double chromed zinc coated steel.
- Attaches easily to the enclosure.



Top View

Part No.	Fits Enclosures		Full Back A	Full Front B
PWDC200	PW534320	inch	6.4	3.9
	PW433320	mm	162	99
PWDC250	PW654425	inch	8.1	4.1
		mm	205	105
PWDC300	PW755430	inch	10.0	8.1
	PW856430	mm	255	205

Polyester Modular Enclosures - NEMA 4X

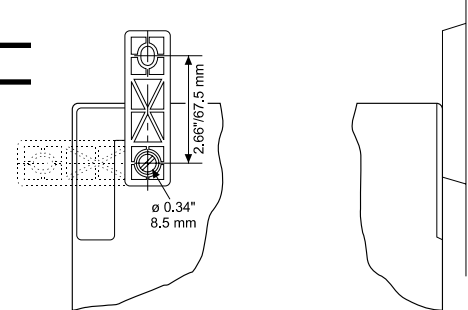
PW Series - Accessories



PW Series Mounting Feet

- Constructed of polyamide and fiberglass.
- Kit includes inserts and M8 screws to permit horizontal or vertical installation.
- Easily installed in the field.

Part No. **PWMF**



Rear View

Side View



PW Series Rear Blanking Cover

- Insulating rubber covers simply "snap" in covering the rear self-ventilating openings when additional protection is required.
- Easily installed in the field - no hardware required.
- Quantity of 4.

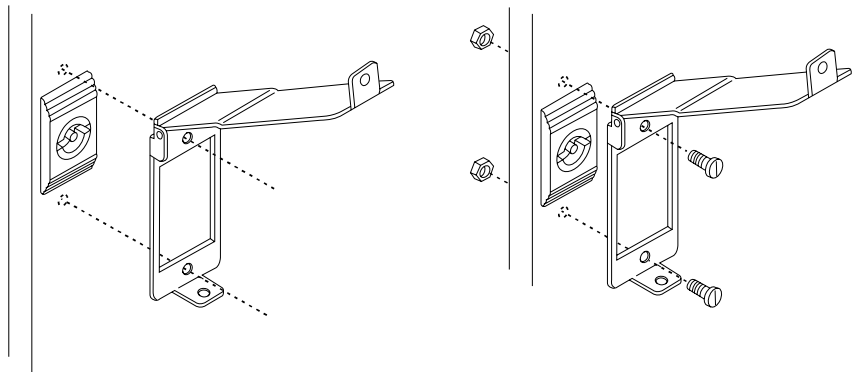
Part No.	Fits Enclosures
PWRBG20	PW433320 PW534320
PWRBG2530	PW654425 PW755430 PW856430



PW Series Padlock Adaptor

- Permits installation of padlock over the standard "Double Bar" quarter turn.
- 1.5 mm thick stainless steel.
- Easy installed in the field.

Part No. **PWPA**



Padlocking Lock System Installation

Corrosion Resistant Wallmount Enclosures

Polyester Modular Enclosures - NEMA 4X

PW Series - Accessories

Corrosion Resistant

Wallmount Enclosures



Porthole Viewing Windows

- Made of high UV resistance polycarbonate.
- Installation template included.
- Pre-installed gasket.

Part No.		A	B	C
PVW1111CC	inch	3.66	3.66	0.32
	mm	93	93	8
PVW1814CC	inch	5.04	5.04	0.22
	mm	128	128	5.5



Hinged Viewing Windows

- Made of high UV resistance poly-carbonate.
- Installation template included.
- Pre-installed gasket.
- Finger latches for easy opening with securing provision.

Part No.		A	B	C
PVW9577CC	inch	3.03	3.74	0.60
	mm	77	95	15
PVW1677CC	inch	3.03	6.42	0.60
	mm	77	163	15
PVW2077CC	inch	3.03	7.87	0.60
	mm	77	200	15



Large Viewing Windows

- Made of high UV resistance poly-carbonate.
- Installation template included.
- Pre-installed gasket.
- Surface mounting on a wide variety of enclosures from steel to non-metallic.
- Quarter turn thumb latch.

Part No.		A	B
PVW2423CC	inch	9.76	9.25
	mm	248	235
PVW2929CC	inch	11.42	11.42
	mm	290	290



Air Vents

- Designed to equalize external and internal temperatures and prevent condensation within the enclosure.
- Units are mounted within the self ventilating openings in PW Series.

Part No.	PVENT
Outside Diameter	1.76
Cutout Diameter	1.36



Polyester Modular Enclosures - NEMA 4X

PW Series - Accessories



PW Series Rail Fixing Insert

- Insert nut specially designed to fit in the back of the enclosure for quick fixing of 35 mm (1.3") rails through self-tapping screws (included).
- Made of insulating material.
- Fits all sizes of PW enclosures.
- Packaged in quantities of two.

Part No. **PWIN**



Metal Double Bar Enclosure Key

- PW Enclosures use a standard double bar key. One molded key is shipped with the enclosure, however in the instance you lose the key, or would like backup, they are available for order.
- Metal key fits all sizes of PW Enclosures.
- Packaged individually.

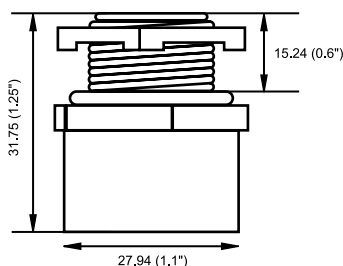
Part No. **PMKEY**



Molded Double Bar Enclosure Key

- PW Enclosures use a standard double bar key. One is shipped with the enclosure, however in the instance you lose the key, or would like backup, they are available for order.
- Molded key fits all sizes of PW Enclosures.
- Packaged individually.

Part No. **PWKEY**



Breather Kit (Pressure Compensation Plug)

- Packaged individually.
- Provides for controlled pressure compensation due to temperature variations (i.e. night/day operation).
- Recommend two plugs per cabinet in opposite locations.
- Pipe Thread 1/2"NPT (actual dia. 0.84")

Part No. **BDN4XN1**

CSA/A Ex Approvals:	Class I, Zone 1, Ex e II Class I Division 2 Groups ABCD Class II EFG, Class III
Ingress Protection:	IP66, CSA Enclosure Type NEMA 4X
Impact Resistance:	20Nm (7Nm GF Nylon)
Materials:	Durethan BKV 30 N1 30% Glass Filled Nylon O Ring - Nitrile Fixing nut - Brass
Operating Temp:	-50C to +85C



Corrosion Resistant Wallmount Enclosures