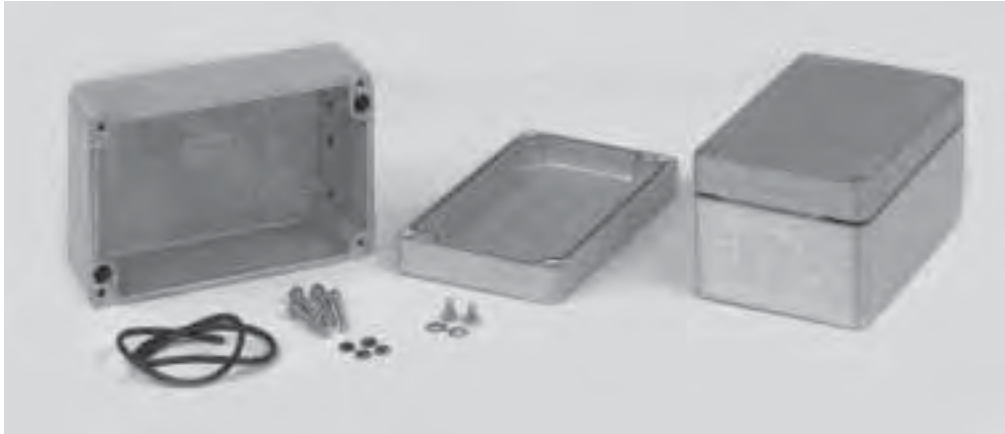


1590Z Diecast Aluminum Enclosures - NEMA 4X Watertight, Thick Wall



Application

- Designed for use as electronic instrument enclosures, electrical junction boxes or terminal wiring enclosures.

Standards

- **Complies with**
 - IP65

Construction

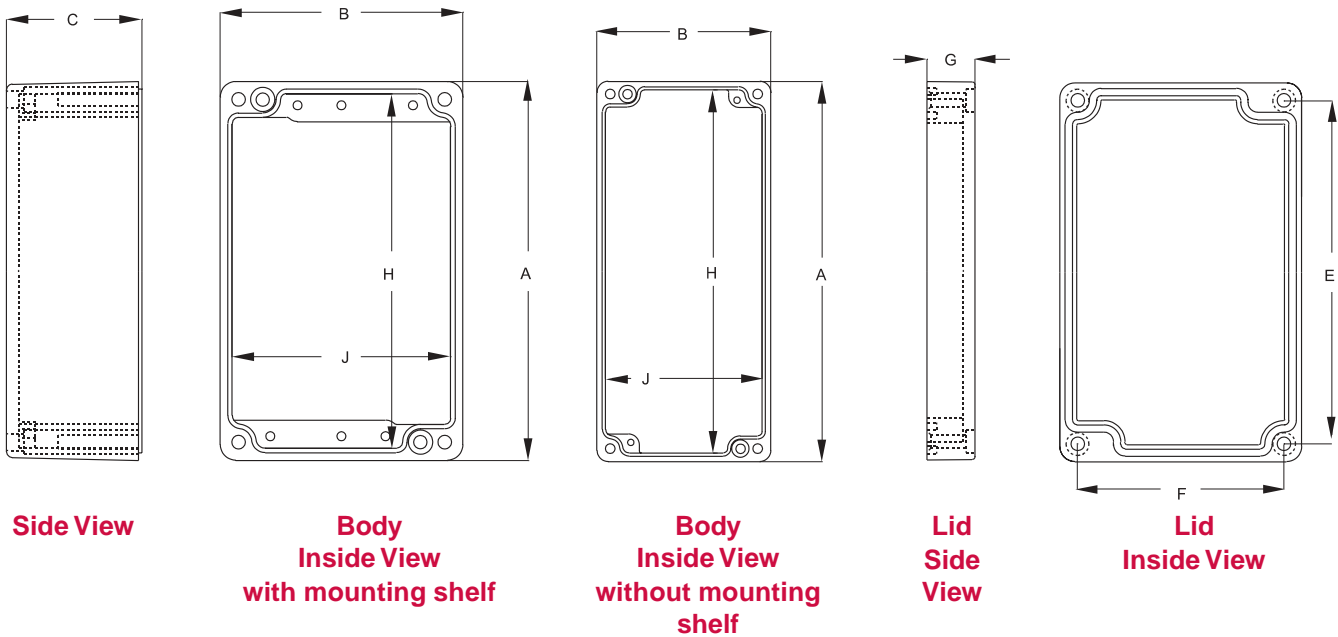
- Rugged diecast aluminum alloy BS1490, LM6.
- Two piece "tongue & groove" construction with a neoprene gasket provides protection against dust accumulation and water.
- Ideal for repetitive opening and closing.
- Four recessed stainless steel machine screws secure lid into tapped holes. Screws are self capturing using either individual neoprene "O" rings (outside the lid gasket seal) or using screw capturing lid.
- Copper ground screws and washers included.
- Easy wall mounting with "through box, blind hole" construction.
- Neoprene gasket mounts into cast lid groove.
- Models 1590Z100, 1590Z120, 1590Z150 and 1590Z160 include mounting shelves and 6 drilled and tapped holes for mounting or grounding.
- Models 1590Z110, 1590Z130 and 1590Z135 include 2 drilled and tapped holes for mounting or grounding.
- Models 1590Z135 and 1590X160 also include a drilled and tapped grounding hole in the lid.

Finish

- Painted versions are finished in RAL 7001 gray or black powder coating inside and out.
- Unpainted versions are a natural unfinished aluminum.

1590Z Diecast Aluminum Enclosures - NEMA 4X

Watertight, Thick Wall



Corrosion Resistant Enclosures
Junction Boxes/JIC Enclosures

Unpainted Part No.	Black Part No.	Gray Part No.	Units	A	B	(No Lid) C	Dimensions E	F	G	H	Ground J	Lid Mtg Screw	Shelf
1590Z060	1590Z060BK	1590Z060GY	inch mm	1.98 50	1.77 45	0.95 24	1.62 41	1.44 37	0.24 6	1.77 45	1.57 40	Yes	No
1590Z061	1590Z061BK	1590Z061GY	inch mm	2.51 64	2.29 58	1.03 26	2.04 52	1.8 46	0.39 10	2.21 56	1.97 50	No	No
1590Z062	1590Z062BK	1590Z062GY	inch mm	3.86 98	2.52 64	1.03 26	3.4 86	2 52	0.39 10	3.5 90	2.2 56	No	No
1590Z100	1590Z100BK	1590Z100GY	inch mm	2.94 75	3.14 80	1.57 40	2.49 63	2.68 68	0.47 12	2.64 67	2.84 72	No	Yes
1590Z110	1590Z110BK	1590Z110GY	inch mm	2.94 75	3.14 80	1.57 40	2.49 63	2.68 68	0.47 12	2.64 67	2.84 72	No	No
1590Z119	1590Z119BK	1590Z119GY	inch mm	4.8 122	4.72 120	2.36 60	4.14 105	4.09 104	0.81 20	4.45 113	4.36 111	Yes	Yes
1590Z120	1590Z120BK	1590Z120GY	inch mm	4.92 125	3.15 82	1.72 43	4.46 113	2.68 68	0.62 15	4.61 117	2.84 72	No	Yes
1590Z063	1590Z063BK	1590Z063GY	inch mm	5.89 150	2.51 64	1.03 26	5.42 138	2.02 51	0.39 10	5.6 142	2.2 56	No	No
1590Z130	1590Z130BK	1590Z130GY	inch mm	6.89 175	3.15 80	1.61 40	6.43 163	2.68 68	0.47 12	6.56 167	2.84 72	No	No
1590Z135	1590Z135BK	1590Z135GY	inch mm	6.89 175	3.15 80	1.61 40	6.43 163	2.68 68	0.79 20	6.56 167	2.84 72	Yes	No
1590Z160	1590Z160BK	1590Z160GY	inch mm	6.3 160	6.3 160	2.76 70	5.55 141	5.55 141	0.79 20	5.98 152	5.98 152	Yes	Yes
1590Z150	1590Z150BK	1590Z150GY	inch mm	8.7 220	4.76 120	2.39 60	8.07 205	4.09 104	0.79 20	8.31 211	4.37 111	No	Yes
1590Z162	1590Z162BK	1590Z162GY	inch mm	10.24 260	6.25 159	2.75 70	9.38 238	5.5 140	0.79 20	9.83 249	5.94 151	Yes	Yes
1590Z231	1590Z231BK	1590Z231GY	inch mm	7.88 200	8.71 221	3.63 92	7.1 180	8.28 210	0.8 20	7.62 194	8.45 215	Yes	Yes

Inches are for reference only. Use metric for precise measurements.

Technical references and DXF downloads available at www.hamfmfg.com

All dimensions in inches unless specified otherwise