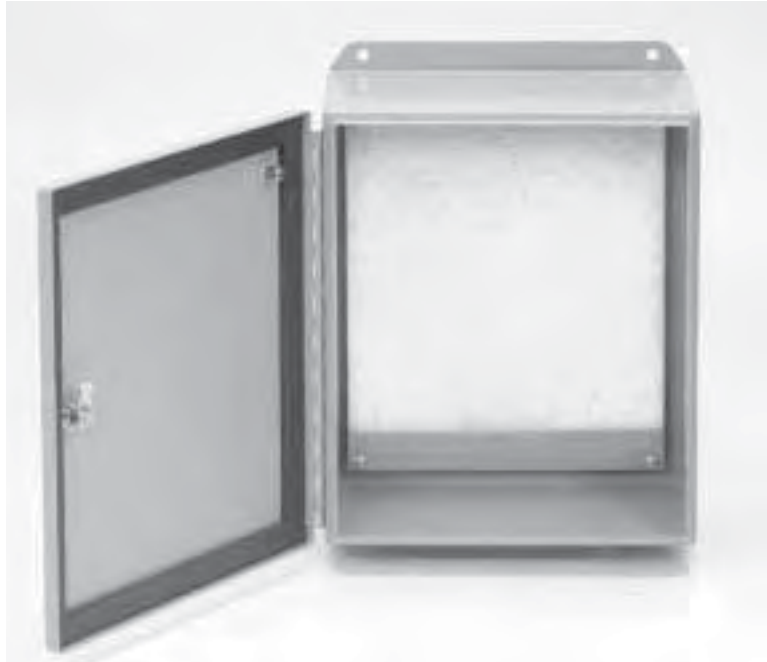


Eclipse Junior Series Stainless Steel Enclosures - NEMA 4X

Single Door Enclosures



**Inner
Panel
Included**



Corrosion Resistant Enclosures

Application

- Designed for use as instrument enclosures, electric, hydraulic or pneumatic control housings, electrical junction boxes or terminal wiring enclosures.
- Provides protection where equipment may be hosed down or otherwise be very wet, or in specific applications where corrosion may be a problem.
- For high temperature applications, a gasket retainer may be required, please refer to factory.

Standards

- UL 508 Type 3R, 4, 4X, and 12
- CSA Type 3R, 4, 4X, and 12
- **Complies with**
 - NEMA Type 3R, 4, 4X, 12 and 13
 - JIC EGP-1-1967
 - IEC 529, IP66

Construction

- Body and cover are formed from 304 stainless steel
- Smooth, continuously welded seams without knockouts, cutouts, or holes.
- Formed lip on enclosure to exclude flowing liquids and contaminants.
- 14 gauge welded brackets provide for enclosure mounting.
- Continuously hinged cover has 304 stainless steel hinges and provides 180° opening
- Door latches feature the added safety of quarter turn slot requiring use of tool for opening.
- Quarter turn latches formed from 316 stainless steel
- Oil resistant gaskets are permanently secured.
- Models larger than 4"x4" include a removable 14 gauge galvanized inner panel.
- Internal threaded weld studs are provided for mounting inner panels.
- A bonding stud is provided on the door and a grounding stud is provided on the enclosure.
- Includes grounding kit and a hardware kit with panel mounting screws.

Finish

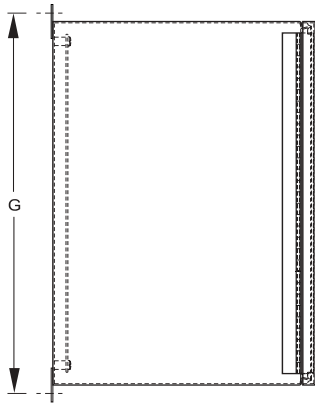
- Cover and enclosure are natural stainless steel with a smooth brushed finish.
- Removable inner panel is unpainted galvanized steel.

Accessories

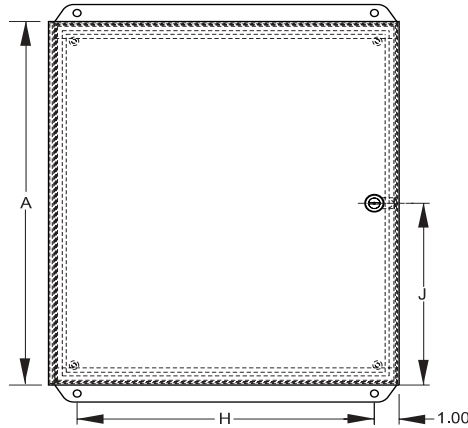
- Additional inner panels...see page **384**
- Breather kits...see page **374**
- Door clamping hardware...see page **378**
- Filter fans...see page **360-367**
- Heaters...see page **369-371**
- Louvered ventilating plates...see page **396**
- Terminal kit assemblies...see page **386**
- Thermostats...see page **374**
- Window kits...see page **391**
- Padlock Adaptor (EJPA)...see page **383**

Eclipse Junior Series Stainless Steel Enclosures - NEMA 4X

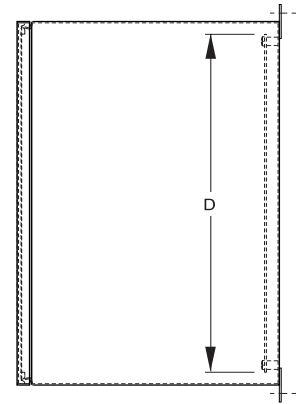
Single Door Enclosures



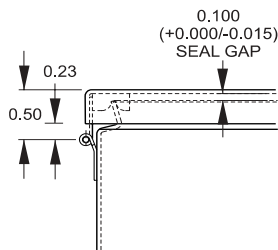
Hinge Side View



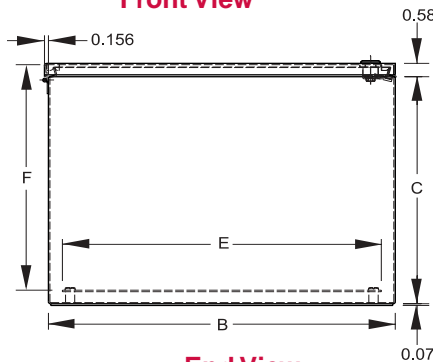
Front View



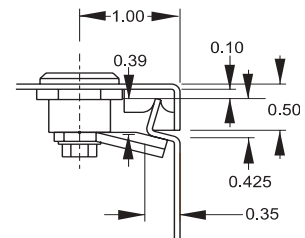
Latch Side View



Hinge Side



End View



Quarter Turn Latch

| Part No. | Overall Dimensions | | | Panel Size | | | | | | Ship Wt. lbs. |
|------------|--------------------|-------|-------|------------|-------|------|-------|-------|------|---------------|
| | A | B | C | D | E | F | G | H | J | |
| EJ644SS | 6.00 | 4.00 | 4.00 | 4.88 | 2.88 | 3.92 | 6.75 | 2.00 | 3.00 | 3 |
| EJ664SS | 6.00 | 6.00 | 4.00 | 4.88 | 4.88 | 3.92 | 6.75 | 4.00 | 3.00 | 4 |
| EJ863SS | 8.00 | 6.00 | 3.5 | 6.75 | 4.88 | 3.42 | 8.75 | 4.00 | 4.00 | 5 |
| EJ1084SS | 10.00 | 8.00 | 4.00 | 8.75 | 6.88 | 3.92 | 10.75 | 6.00 | 5.00 | 8 |
| EJ12105SS | 12.00 | 10.00 | 5.00 | 10.75 | 8.88 | 4.92 | 12.75 | 8.00 | 6.00 | 12 |
| EJ12126SS | 12.00 | 12.00 | 6.00 | 10.75 | 10.88 | 5.92 | 12.75 | 10.00 | 6.00 | 15 |
| EJ14126SS | 14.00 | 12.00 | 6.00 | 12.75 | 10.88 | 5.92 | 14.75 | 10.00 | 7.00 | 17 |
| EJ14128SS | 14.00 | 12.00 | 8.00 | 12.75 | 10.88 | 7.92 | 14.75 | 10.00 | 7.00 | 18 |
| EJ16146SS | 16.00 | 14.00 | 6.00 | 14.75 | 12.88 | 5.92 | 16.75 | 12.00 | 8.00 | 21 |
| EJ161410SS | 16.00 | 14.00 | 10.00 | 14.751 | 2.88 | 9.92 | 16.75 | 12.00 | 8.00 | 23 |

Corrosion Resistant Enclosures