

Eclipse Series, 304 Stainless Steel - NEMA 4X Single Window Door Enclosures



Mild Steel Version shown

Order
Panel
Separately



Corrosion Resistant Enclosures
Wallmount Enclosures

Application

- Designed to enclose electrical and/or electronic equipment in wallmount applications where viewing of component operation is necessary while maintaining protection ratings.
- Impressive styling features like hidden hinges and attractive latching systems make the Eclipse a suitable addition to any high-tech equipment installation.
- A wide range of sizes and practical accessories make this product line a complete package.
- For high temperature applications, a gasket retainer may be required, please refer to factory.

Standards

- UL 508 Type 3R, 4, 4X and 12
- CSA Type 3R, 4, 4X and 12
- **Complies with**
 - NEMA Type 3R, 4, 4X, 12 and 13
 - IEC 529, IP66

Construction

- Formed 14 or 16 gauge 304 stainless steel.
- Full view UV resistant polycarbonate window allows maximum viewing area of inner panel.
- Continuously welded seams ground smooth.
- Door stiffeners are provided where required for increased strength and rigidity - designed to also permit additional mounting options.
- Formed lip on enclosure to exclude flowing liquids and contaminants.
- Door latches feature the added safety of quarter turn slot requiring use of tool for opening.
- Doors may be easily removed for modifications and are interchangeable.
- Oil resistant gaskets are permanently secured.
- Collar studs provided for mounting inner panel.
- Includes hardware kit with panel mounting nuts and sealing washers for wall mounting holes.
- Bonding stud provided on door and grounding stud installed in enclosure.
- Hinges are constructed from 304 stainless steel.
- Stainless steel hinge pins and quarter turns.

Finish

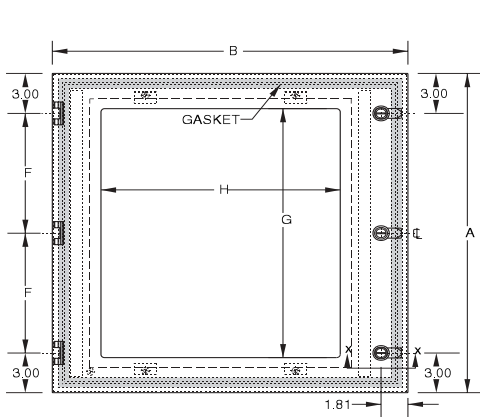
- Cover and enclosure are natural stainless steel with a smooth brushed finish.

Accessories

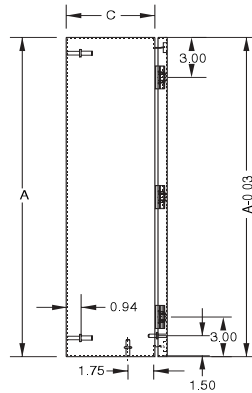
- Air conditioners...see page **348-357**
- Blowers...see page **359**
- Breather kits...see page **374**
- DIN rails...see page **93**
- DIN rail mounting kit...see page **93**
- Door stop kit...see page **393**
- Filter fans...see page **360-367**
- Heaters...see page **369-371**
- Handles...see page **94**
- Inner panel...see page **92**
- Quarter turn inserts and keys...see page **94**
- Literature pocket...see page **397**
- Mounting foot kit...see page **95**
- Swing frame...see page **93**
- Swing panel...see page **92**
- Replacement hinge pins...see page **92**
- Replacement quarter turn assemblies...see page **94**
- Thermostats...see page **374**
- Touch up paint...see page **396**
- UL/CSA approved hardware kit...see page **382**
- Padlock Adaptor (EPA)...see page **382**

Eclipse Series, 304 Stainless Steel - NEMA 4X

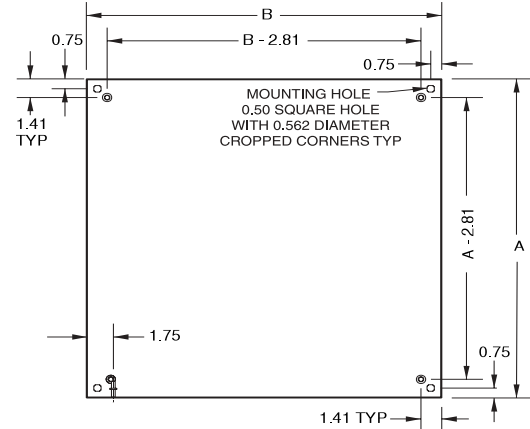
Single Window Door Enclosures



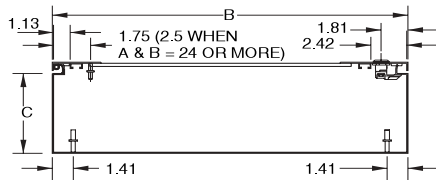
Front View



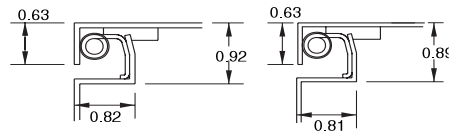
Side View
Hinge Side



Front Section
Door & Body Flange Removed

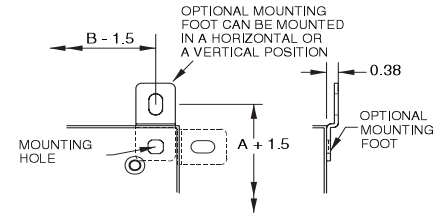


End View



Cross Section
of 14 gauge
Body & Door

Cross Section
of 16 gauge
Body & Door



Mounting Detail
Door & Body Flange Removed

Corrosion Resistant Enclosures
Wallmount Enclosures

Part No.	Overall Dimensions			Door/ Body Gauge	Latch ¹ Qty	Hinge Qty	F	Viewing Area			Optional Panel Part No.	Inner Panel Dimensions		Ship Wt. Lbs.
	A	B	C					G	H	D		E		
EN4SD16126WSS	16	12	6	16	1	2	10	11.33	6.90	EP1612	14.2	10.2	16	
EN4SD20166WSS	20	16	6	16	1	2	14	15.33	10.90	EP2016	18.2	14.2	22	
EN4SD20206WSS	20	20	6	16	1	2	14	15.33	14.90	EP2020	18.2	18.2	26	
EN4SD20168WSS	20	16	8	16	1	2	14	15.33	10.90	EP2016	18.2	14.2	25	
EN4SD20208WSS	20	20	8	16	1	2	14	15.33	14.90	EP2020	18.2	18.2	28	
EN4SD24208WSS	24	20	8	16	1	2	18	19.33	14.90	EP2420	22.2	18.2	32	
EN4SD24248WSS	24	24	8	14	2	2	18	18.71	16.15	EP2424	22.2	22.2	40	
EN4SD30248WSS	30	24	8	14	2	3	12	24.71	16.15	EP3024	28.2	22.2	46	

¹ All Window Door latch types are quarter turns.

Eclipse Series, 304 Stainless Steel - NEMA 4X

Single Door Enclosures



Single Door with quarter turns

**Order
Panel
Separately**



Corrosion Resistant Enclosures
Wallmount Enclosures

Application

- Designed to enclose electrical and/or electronic equipment and protect against harsh, industrial environments for wallmount applications.
- Impressive styling features like hidden hinges and attractive latching systems make the Eclipse a suitable addition to any high-tech equipment installation.
- A wide range of sizes and practical accessories make this product line a complete package.
- For high temperature applications, a gasket retainer may be required, please refer to factory.

Standards

- UL 508 Type 3R, 4, 4X and 12
- CSA Type 3R, 4, 4X and 12
- **Complies with**
 - NEMA 3R, 4, 4X, 12 and 13
 - IEC 529, IP 66

Construction

- Formed 304 stainless steel.
- Continuously welded seams ground smooth.
- Door stiffeners are provided where required for increased strength and rigidity - designed to also permit additional mounting options.
- Formed lip on enclosure to exclude flowing liquids and contaminants.
- Door latches feature the added safety of quarter turn slot requiring use of tool for opening.
- Doors may be easily removed for modifications and are interchangeable.
- Oil resistant gaskets are permanently secured and can easily be replaced in the field if necessary.
- Collar studs provided for mounting inner panel.
- Includes hardware kit with panel mounting nuts and sealing washers for wall mounting holes.
- Bonding stud provided on door and grounding stud installed in enclosure.
- Hinges are 304 stainless, 3 point latching handle (where applicable) is zinc diecast with black epoxy finish.
- Stainless steel hinge pins and quarter turns.

Finish

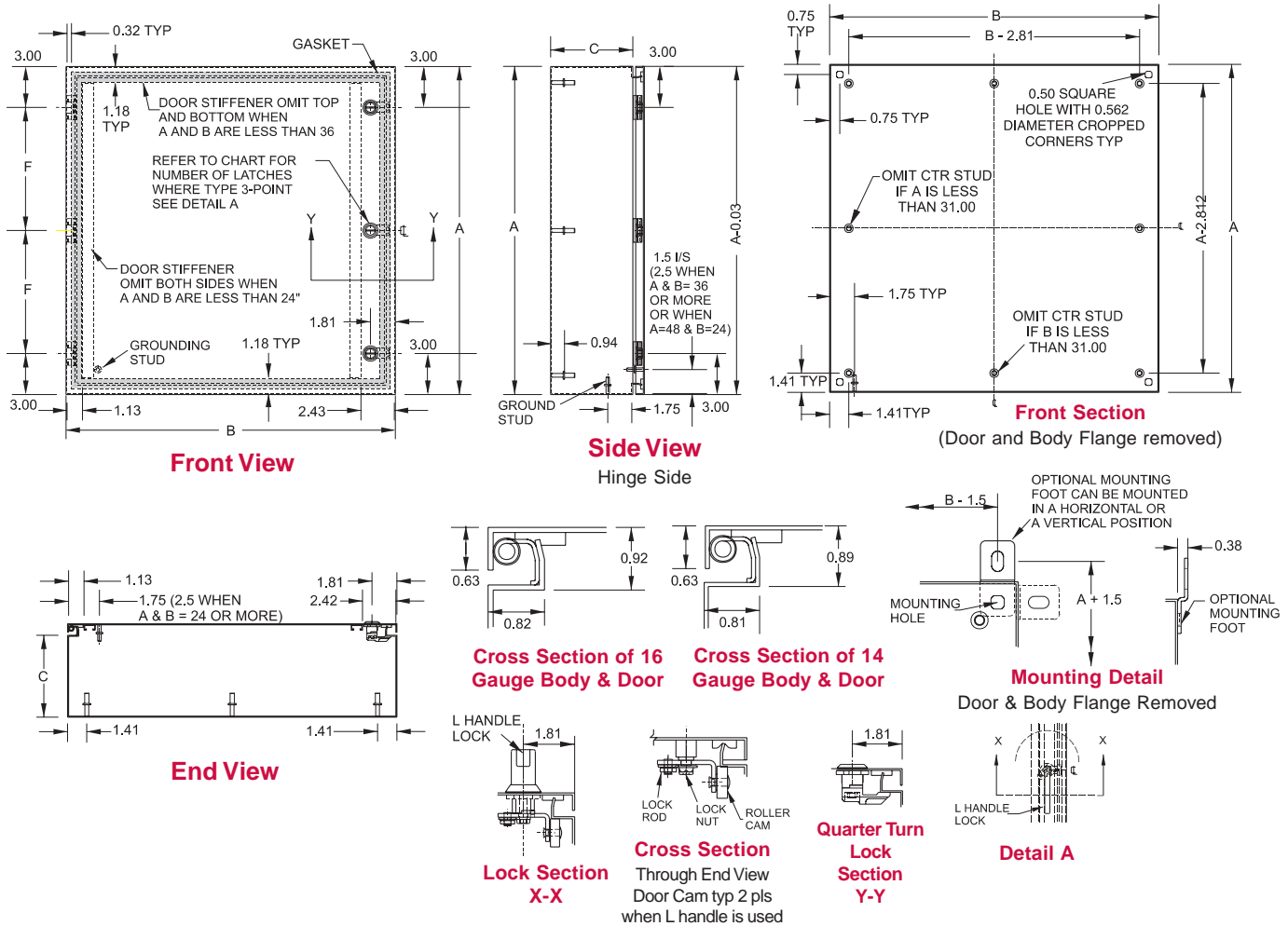
- Cover and enclosure are natural stainless steel with a smooth brushed finish.

Accessories

- Air conditioners...see page **348-357**
- Blowers...see page **359**
- Breather kits...see page **374**
- DIN rails...see page **93**
- DIN rail mounting kit...see page **93**
- Door stop kit...see page **393**
- Filter fans...see page **360-367**
- Heaters...see page **369-371**
- Handles...see page **94**
- Inner panel...see page **92**
- Quarter turn inserts and keys...see page **94**
- Literature pocket...see page **397**
- Mounting foot kit...see page **95**
- Swing frame...see page **93**
- Swing panel...see page **92**
- Replacement hinge pins...see page **92**
- Replacement quarter turn assemblies...see page **94**
- Thermostats...see page **374**
- Touch up paint...see page **396**
- UL/CSA approved hardware kit...see page **382**
- Padlock Adaptor (EPA)...see page **382**

Eclipse Series, 304 Stainless Steel - NEMA 4X

Single Door Enclosures



Corrosion Resistant Enclosures
Wallmount Enclosures

Part No.	Overall Dimensions			Door/Body Latches			Opt. Panel Part No.	Panel Size		# Hinges	Ship Wt. Lbs.	
	A	B	C	Gauge	Qty	Type		D	E			
EN4SD12126SS	12	12	6	16	1	Qtr Turn	EP1212	10.2	10.2	2	6	12
EN4SD16126SS	16	12	6	16	1	Qtr Turn	EP1612	14.2	10.2	2	10	16
EN4SD16166SS	16	16	6	16	1	Qtr Turn	EP1616	14.2	14.2	2	10	19
EN4SD20166SS	20	16	6	16	1	Qtr Turn	EP2016	18.2	14.2	2	14	22
EN4SD20206SS	20	20	6	16	1	Qtr Turn	EP2020	18.2	18.2	2	14	26
EN4SD16208SS	16	20	8	16	1	Qtr Turn	EP1620	14.2	18.2	2	10	25
EN4SD20168SS	20	16	8	16	1	Qtr Turn	EP2016	18.2	14.2	2	14	25
EN4SD20208SS	20	20	8	16	1	Qtr Turn	EP2020	18.2	18.2	2	14	28
EN4SD24168SS	24	16	8	16	1	Qtr Turn	EP2416	22.2	14.2	2	18	26
EN4SD24208SS	24	20	8	16	1	Qtr Turn	EP2420	22.2	18.2	2	18	32
EN4SD24248SS	24	24	8	14	2	Qtr Turn	EP2424	22.2	22.2	2	18	40
EN4SD30248SS	30	24	8	14	2	Qtr Turn	EP3024	28.2	22.2	3	12	46
EN4SD30308SS	30	30	8	14	2	Qtr Turn	EP3030	28.2	28.2	3	12	67
EN4SD36248SS	36	24	8	14	2	Qtr Turn	EP3624	34.2	22.2	3	15	55
EN4SD36308SS	36	30	8	14	2	Qtr Turn	EP3630	34.2	28.2	3	15	77
EN4SD363612SS	36	36	12	14	2	Qtr Turn	EP3636	34.2	34.2	3	15	104
EN4SD423612SS	42	36	12	14	1	3-point	EP4236	40.2	34.2	4	12	121
EN4SD483612SS	48	36	12	14	1	3-point	EP4836	46.2	34.2	4	14	148

Eclipse Series, 316 Stainless Steel - NEMA 4X

Single Door Enclosures



Order
Panel
Separately



Corrosion Resistant Enclosures
Wallmount Enclosures

Application

- Designed to enclose electrical and/or electronic equipment and protect against harsh, industrial environments for wallmount applications.
- Impressive styling features like hidden hinges and attractive latching systems make the Eclipse a suitable addition to any high-tech equipment installation.
- A wide range of sizes and practical accessories make this product line a complete package.
- For high temperature applications, a gasket retainer may be required, please refer to factory.

Standards

- UL 508 Type 3R, 4, 4X and 12
- CSA Type 3R, 4, 4X and 12
- **Complies with**
 - NEMA 3R, 4, 4X, 12 and 13
 - IEC 529, IP 66

Construction

- Formed 316 stainless steel.
- Continuously welded seams ground smooth.
- Door stiffeners are provided where required for increased strength and rigidity - designed to also permit additional mounting options.
- Formed lip on enclosure to exclude flowing liquids and contaminants.
- Door latches feature the added safety of quarter turn slot requiring use of tool for opening.
- Doors may be easily removed for modifications and are interchangeable.
- Oil resistant gaskets are permanently secured and can easily be replaced in the field if necessary.
- Collar studs provided for mounting inner panel.
- Includes hardware kit with panel mounting nuts and sealing washers for wall mounting holes.
- Bonding stud provided on door and grounding stud installed in enclosure.
- Hinges are 316 stainless steel.
- Stainless steel hinge pins and quarter turns.

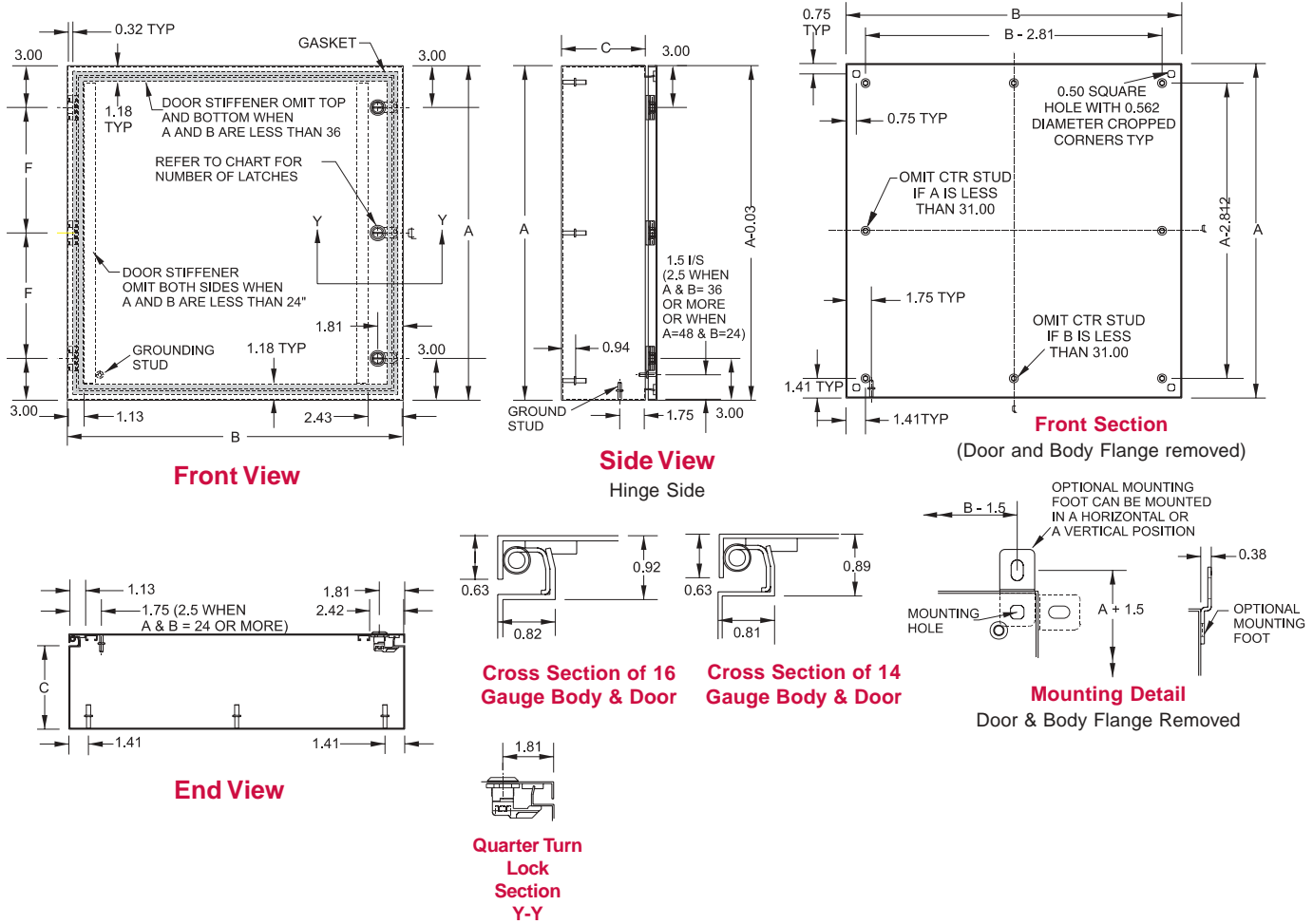
Finish

- Cover and enclosure are natural stainless steel with a smooth brushed finish.

Accessories

- Air conditioners...see page **348-357**
- Blowers...see page **359**
- Breather kits...see page **374**
- DIN rails...see page **93**
- DIN rail mounting kit...see page **93**
- Door stop kit...see page **393**
- Filter fans...see page **360-367**
- Heaters...see page **369-371**
- Handles...see page **94**
- Inner panel...see page **92**
- Quarter turn inserts and keys...see page **94**
- Literature pocket...see page **397**
- Mounting foot kit...see page **925**
- Swing frame...see page **93**
- Swing panel...see page **92**
- Replacement hinge pins...see page **92**
- Replacement quarter turn assemblies...see page **94**
- Thermostats...see page **374**
- Touch up paint...see page **396**
- UL/CSA approved hardware kit...see page **382**

Eclipse Series, 316 Stainless Steel - NEMA 4X Single Door Enclosures



Corrosion Resistant Enclosures
Wallmount Enclosures

Part No.	Overall Dimensions			Door/Body Gauge	# Latches	Type	Opt. Panel Part No.	Panel Size		# Hinges	Ship Wt. Lbs.	
	A	B	C					D	E			
EN4SD12126S16	12	12	6	16	1	Qtr Turn	EP1212	10.2	10.2	2	6	12
EN4SD16126S16	16	12	6	16	1	Qtr Turn	EP1612	14.2	10.2	2	10	16
EN4SD16166S16	16	16	6	16	1	Qtr Turn	EP1616	14.2	14.2	2	10	19
EN4SD20166S16	20	16	6	16	1	Qtr Turn	EP2016	18.2	14.2	2	14	22
EN4SD20206S16	20	20	6	16	1	Qtr Turn	EP2020	18.2	18.2	2	14	26
EN4SD16208S16	16	20	8	16	1	Qtr Turn	EP1620	14.2	18.2	2	10	25
EN4SD20168S16	20	16	8	16	1	Qtr Turn	EP2016	18.2	14.2	2	14	25
EN4SD20208S16	20	20	8	16	1	Qtr Turn	EP2020	18.2	18.2	2	14	28
EN4SD24168S16	24	16	8	16	1	Qtr Turn	EP2416	22.2	14.2	2	18	26
EN4SD24208S16	24	20	8	16	1	Qtr Turn	EP2420	22.2	18.2	2	18	32
EN4SD24248S16	24	24	8	14	2	Qtr Turn	EP2424	22.2	22.2	2	18	40
EN4SD30248S16	30	24	8	14	2	Qtr Turn	EP3024	28.2	22.2	3	12	46
EN4SD30308S16	30	30	8	14	2	Qtr Turn	EP3030	28.2	28.2	3	12	67
EN4SD36248S16	36	24	8	14	2	Qtr Turn	EP3624	34.2	22.2	3	15	55
EN4SD36308S16	36	30	8	14	2	Qtr Turn	EP3630	34.2	28.2	3	15	77
EN4SD363612S16	36	36	12	14	2	Qtr Turn	EP3636	34.2	34.2	3	15	104