

Eclipse Sloped Top Series, 304 Stainless Steel - NEMA 4X

Single Top Enclosures



Panel
Sold
Separately



Corrosion Resistant

Wallmount Enclosures

Application

- Designed to enclose electrical and/or electronic equipment and protect against harsh, industrial environments for wallmount applications.
- Sloped top prevents water from resting on top as well as providing potential for controls mounting
- Impressive styling features like hidden hinges and attractive latching systems make the Eclipse a suitable addition to any high-tech equipment installation.
- A wide range of sizes and practical accessories make this product line a complete package.
- For high temperature applications, a gasket retainer may be required, please refer to factory.

Standards

- UL 508 Type 3R, 4, 4X and 12
- CSA Type 3R, 4, 4X and 12
- **Complies with**
 - NEMA 3R, 4, 4X, 12 and 13
 - IEC 60529, IP 66

Construction

- Formed 304 stainless steel.
- Continuously welded seams ground smooth.
- Door stiffeners are provided where required for increased strength and rigidity - designed to also permit additional mounting options.
- Formed lip on enclosure to exclude flowing liquids and contaminants.
- Door latches feature the added safety of quarter turn slot requiring use of tool for opening.
- Doors may be easily removed for modifications and are interchangeable.
- Oil resistant gaskets are permanently secured and can easily be replaced in the field if necessary.
- Collar studs provided for mounting inner panel.
- Includes hardware kit with panel mounting nuts and sealing washers for wall mounting holes.
- Bonding stud provided on door and grounding stud installed in enclosure.
- Hinges are 304 stainless.
- Stainless steel hinge pins and quarter turns.

Finish

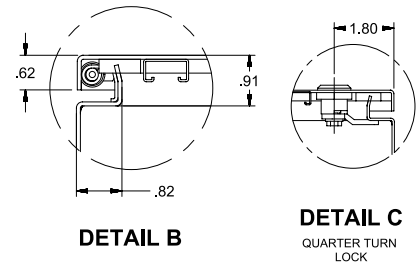
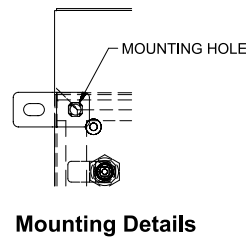
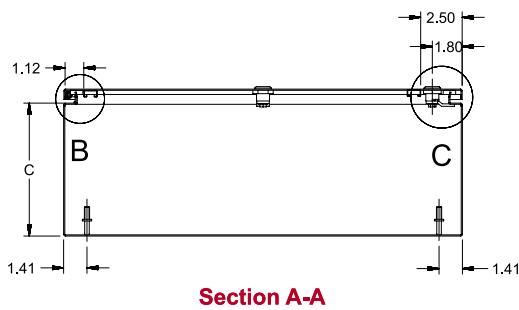
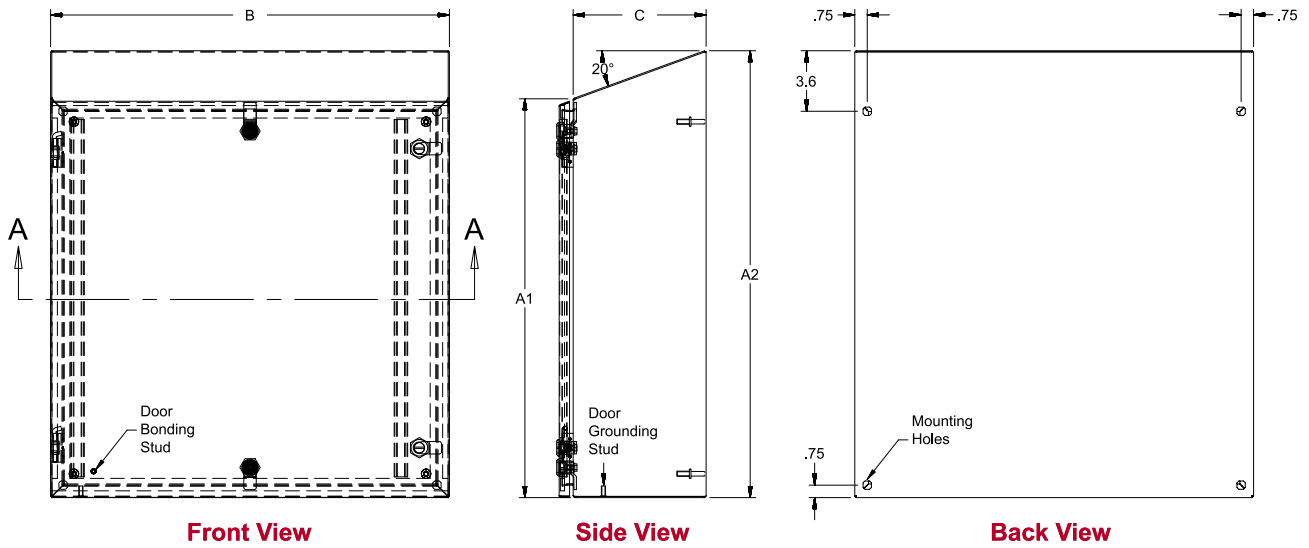
- Cover and enclosure are natural stainless steel with a smooth brushed finish.

Accessories

- Air conditioners...see page **387-406**
- Blowers...see page **407**
- Breather kits...see page **423**
- DIN rails...see page **80**
- DIN rail mounting kit...see page **79**
- Door stop kit...see page **447**
- Filter fans...see page **408-414**
- Heaters...see page **418-420**
- Handles...see page **81**
- Inner panel...see page **78**
- Quarter turn inserts and keys ...see page **80**
- Literature pocket...see page **451**
- Mounting foot kit...see page **81**
- Swing frame...see page **79**
- Swing panel...see page **78**
- Replacement hinge pins...see page **79**
- Replacement quarter turn assemblies...see page **80**
- Thermostats...see page **421-422**
- UL/CSA approved hardware kit ...see page **430**
- Padlock Adaptor (EPA)...see page **81**

Eclipse Sloped Top Series, 304 Stainless Steel - NEMA 4X

Single Top Enclosures



Corrosion Resistant

Wallmount Enclosures

Part Number	Dimensions [in]					Door/Body Gauge	Optional Panel Cat. Number	Latch Qty	Hinge Qty
	A1	A2	B	C	F				
ST161208SS	16	18.9	12	8	10	14	EP1612	2	2
ST161608SS	16	18.9	16	8	10	14	EP1616	2	2
ST201608SS	20	22.9	16	8	14	14	EP2016	2	2
ST201612SS	20	24.3	16	12	14	14	EP2016	2	2
ST202008SS	20	22.9	20	8	14	14	EP2020	2	2
ST202012SS	20	24.3	20	12	14	14	EP2020	2	2
ST242008SS	24	26.9	20	8	18	14	EP2420	2	2
ST242408SS	24	26.9	24	8	18	14	EP2424	4	2
ST242412SS	24	28.3	24	12	18	14	EP2424	4	2
ST302408SS	30	32.9	24	8	12	14	EP3024	4	3
ST302412SS	30	34.3	24	12	12	14	EP3024	4	3
ST303008SS	30	32.9	30	8	12	14	EP3030	4	3
ST363008SS	36	38.9	30	8	15	14	EP3630	5	3
ST363012SS	36	40.3	30	12	15	14	EP3630	5	3
ST363016SS	36	41.8	30	16	15	14	EP3630	5	3
ST363612SS	36	40.3	36	12	15	14	EP3636	5	3
ST483616SS	48	53.8	36	16	14	14	EP4836	5	4
ST603616SS*	60	65.8	36	16	18	14	EP6036	5	4

* Back is 10 gauge stainless steel