

# HN4 Series Two Door Floormount Enclosures - NEMA 4

## Continuous Hinge, 3pt Handle

Industrial Enclosures

Floormount Enclosures



### Application

- Designed to house electrical, electronic, hydraulic or pneumatic controls and instruments.
- Provides protection where equipment may be hosed down or otherwise be very wet, or in outdoor applications for full weather protection.

### Standards

- UL 508 Type 3R, 4 and 12
- CSA Type 3R, 4 and 12
- **Complies with**
  - NEMA Type 3R, 4 12 and 13
  - IEC 60529, IP66

### Construction

- Formed 12 gauge steel.
- Smooth, continuously welded seams without knockouts, cutouts or holes.
- Lifting eyes provide for easy enclosure handling.
- Doors are supported with heavy gauge continuous hinges.
- New 3-pt padlocking door handle.
- Seamless poured-in place gasket.
- Provision for light kit mounting.
- A grounding stud is provided in the enclosure and a bonding stud is provided on the door.
- Center post is removable for easy installation of the inner panel.
- 12" floor stands are welded to the enclosure.
- Body stiffeners are provided in the larger enclosures for extra rigidity.
- Formed lip on door and top of enclosure opening exclude flowing liquids and contaminants.
- A removable 10 gauge inner panel is included.
- Panel supports are provided for easy panel installation.
- Collar studs are provided for mounting inner panels.
- A literature pocket is provided for the inside of the door.

### Finish

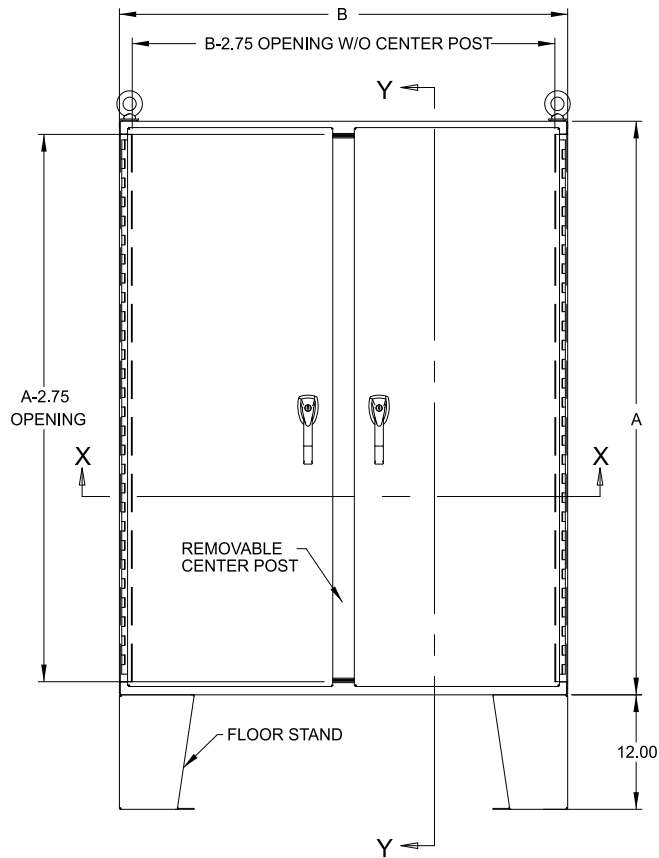
- Cover and enclosure are finished in recoatable smooth ANSI 61 gray powder coating.
- Removable white inner panel is finished in white powder coating.

### Accessories

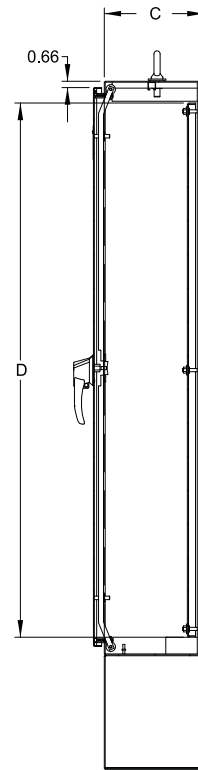
- Air conditioners...see page **387-405**
- Blowers...see page **425**
- Breather kits...see page **442**
- Door stop kit...see page **473**
- Drip shield kits...see page **470**
- Enclosure stabilizers...see page **476**
- Filter fans...see page **408-413**
- Floor stand kits...see page **473**
- Gland Plates...see page **464**
- Heaters...see page **418-420**
- Inner Panels...see page **455**
- Light kit...see page **471**
- Louvered ventilating plates  
...see page **475**
- Thermostats...see page **440**
- Window kits...see page **467**

# HN4 Series Two Door Floormount Enclosures - NEMA 4

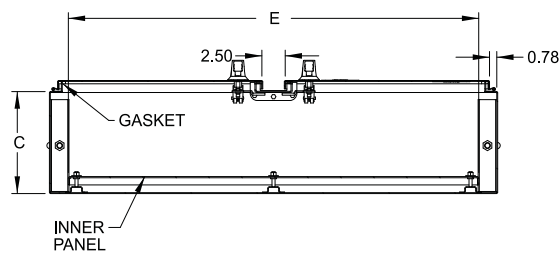
Continuous Hinge, 3pt Handle



**Front View**



**Section Y-Y**



**Section X-X**

Part No.	Overall Dimensions			Inner Panel (Included)	
	A	B	C	D	E
HN4FM604810	60.13	48.06	10.69	56	44
HN4FM606012	60.13	60.06	12.69	56	56
HN4FM726012	72.13	60.06	12.69	68	56
HN4FM727212	72.13	72.06	12.69	68	68
HN4FM727224	72.13	72.06	24.69	68	68

# HN4 Series Freestanding Enclosures - NEMA 4

## Single Door w/ 3pt Handle

Industrial Enclosures

Freestanding Enclosures



### Application

- Designed to house electrical, electronic, hydraulic or pneumatic controls with provision for panel mounting or rack mounting of equipment.
- Provides protection where equipment may be hosed down or otherwise be very wet, or in specific applications where corrosion is a serious problem.
- A variety of inner panels, rack mounting rails and swing out frames are available to provide flexibility in mounting arrangements.

### Standards

- UL 508 Type 3R, 4 and 12
- CSA Type 3R, 4 and 12
- **Complies with**
  - NEMA Type 3R, 4, 12 and 13
  - IEC 60529, IP66

### Construction

- Formed 12 gauge steel.
- Smooth, continuously welded seams without knockouts, cutouts or holes.
- Lifting eyes provide for easy enclosure handling.
- Doors are supported with heavy gauge continuous hinges.
- New 3-pt padlocking door handle.
- Seamless poured-in place gasket.
- Provision for light kit mounting.
- A grounding stud is provided in the enclosure and a bonding stud is provided on the door.
- Mounting channels are welded on the inside of the enclosure for mounting of optional inner panels or rack equipment rails.

### Finish

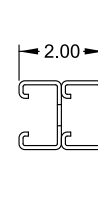
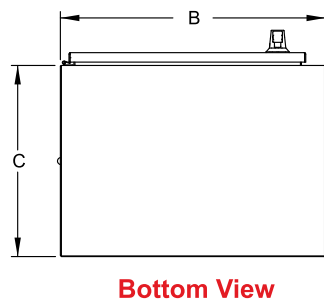
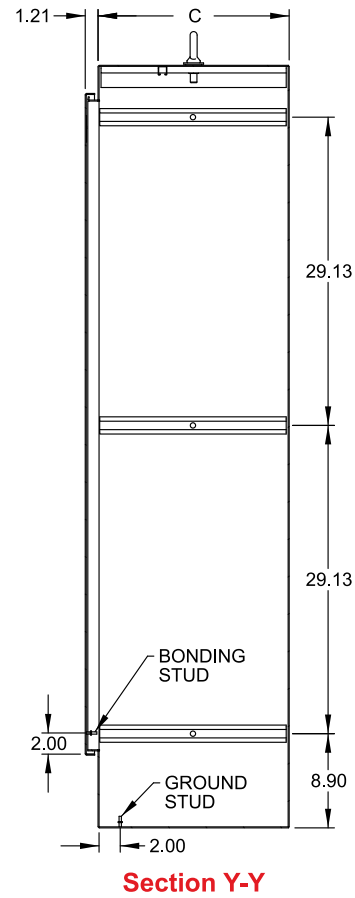
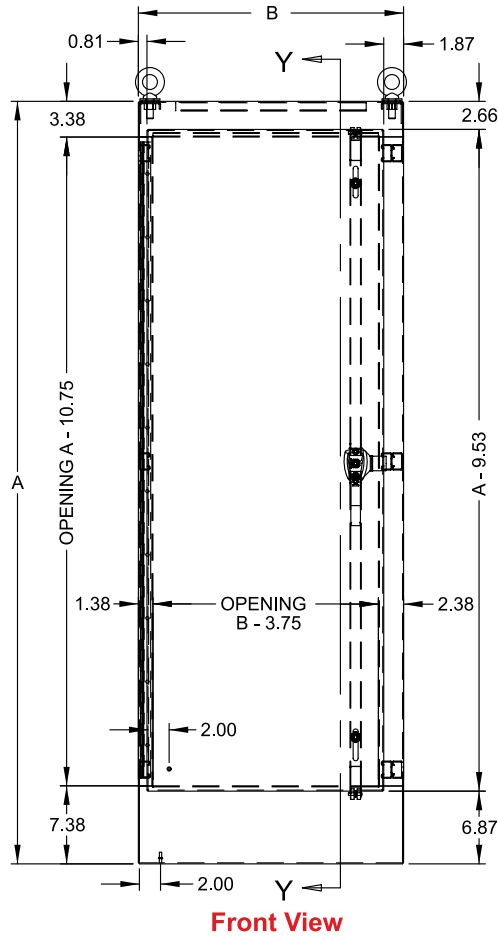
- Cover and enclosure are finished in recoatable smooth ANSI 61 gray powder coating on the outside, with white powder coating on the inside.
- Optional inner panels are available in white powder coating, or unpainted galvanized steel.

### Accessories

- Air conditioners...see page **387-405**
- Breather kits...see page **442**
- Door stop kit...see page **473**
- Drip shield kits...see page **470**
- Filter fans...see page **408-413**
- Gland Plates...see page **464**
- Heaters...see page **418-420**
- Inner Panels...see page **57**
- Light kit...see page **471**
- Panel rails...see page **58**
- Swing frame...see page **58**
- Thermostats...see page **440**
- Window kits...see page **467**

# HN4 Series Freestanding Enclosures - NEMA 4

## Single Door w/ 3pt Handle



Part No.	A	B	C	Optional Full Panel <sup>1</sup>
HN4FS722518	72.06	25.06	18.06	72WFW
HN4FS723124	72.06	31.06	24.06	72XFW
HN4FS723724	72.06	37.06	24.06	72YFW

<sup>1</sup> Refers to Optional Full Height/Full Width Panels. Depth Panels & Half Height Width panels are also available.