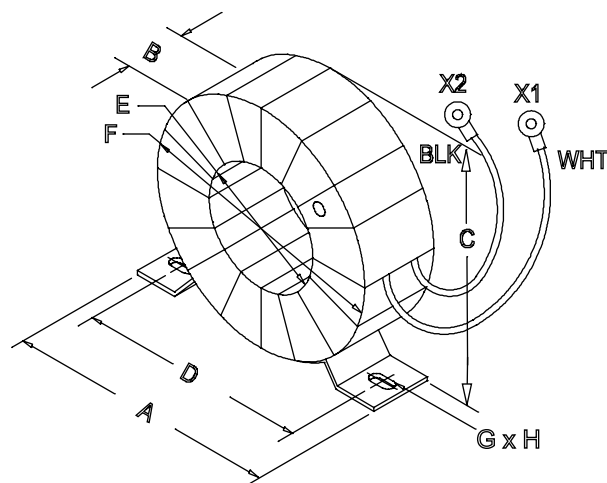


Current Transformers - Indoor Toroidal (CT Series)



SMALL CURRENT TRANSFORMERS

- Toroidal design.
- Supplied with 24" insulated secondary leads, terminated with crimped ring connectors.
- Suitable for use with bare (uninsulated) primary conductor in circuits up to 600 V (4 KV Hi pot); or at higher voltages when a suitably insulated conductor is used.
- All units have 5 A secondary for use with standard AC ammeters with 5 A movements.
- Two hole mounting bracket on all models.

| Part No. | Current Ratio Pri./Sec. | Accuracy % | Burden VA | Dimensions (Inches) | | | | | | Mtg. Slots | | Ship Wt. Lb. |
|----------------|-------------------------|------------|-----------|---------------------|------|------|------|------|------|------------|-----|--------------|
| | | | | A | B | C | D | E | F | G | H | |
| CT50A | 50:5 | 3.2 | 2 | 3.75 | 1.75 | 3.25 | 3.00 | 0.87 | 2.87 | .22 | .37 | 1.3 |
| CT60A | 60:5 | 2.4 | 2 | 3.75 | 1.75 | 3.25 | 3.00 | 0.87 | 2.87 | .22 | .37 | 1.4 |
| CT75A | 75:5 | 2.0 | 2 | 3.75 | 1.75 | 3.25 | 3.00 | 0.87 | 2.87 | .22 | .37 | 1.5 |
| CT100A | 100:5 | 2.0 | 2 | 3.75 | 1.75 | 3.25 | 3.00 | 1.20 | 2.87 | .22 | .37 | 1.1 |
| CT150A | 150:5 | 1.2 | 2 | 3.75 | 1.75 | 3.25 | 3.00 | 1.20 | 2.87 | .22 | .37 | 1.4 |
| CT200A | 200:5 | 1.2 | 2 | 4.75 | 1.75 | 4.25 | 4.00 | 2.20 | 3.87 | .22 | .37 | 1.7 |
| CT250A | 250:5 | 0.6 | 2 | 4.75 | 1.75 | 4.25 | 4.00 | 2.20 | 3.87 | .22 | .37 | 1.7 |
| | | 1.2 | 5 | | | | | | | | | |
| CT300A | 300:5 | 0.6 | 2 | 4.75 | 1.75 | 4.25 | 4.00 | 2.20 | 3.87 | .22 | .37 | 1.8 |
| | | 1.2 | 10 | | | | | | | | | |
| CT400A | 400:5 | 0.6 | 2 | 4.75 | 1.75 | 4.25 | 4.00 | 2.20 | 3.87 | .22 | .37 | 1.8 |
| | | 1.2 | 10 | | | | | | | | | |
| CT500A | 500:5 | 0.3 | 2 | 4.75 | 1.75 | 4.25 | 4.00 | 2.20 | 3.87 | .22 | .37 | 1.8 |
| | | 1.2 | 20 | | | | | | | | | |
| CT600A | 600:5 | 0.3 | 2 | 6.00 | 1.75 | 5.25 | 5.25 | 3.50 | 5.12 | .28 | .37 | 2.5 |
| | | 1.2 | 20 | | | | | | | | | |
| CT800A | 800:5 | 0.3 | 5 | 6.00 | 1.75 | 5.25 | 5.25 | 3.50 | 5.12 | .28 | .37 | 2.8 |
| | | 1.2 | 50 | | | | | | | | | |
| CT1000A | 1000:5 | 0.3 | 5 | 7.00 | 1.75 | 6.25 | 6.25 | 4.50 | 6.12 | .28 | .37 | 3.3 |
| | | 1.2 | 50 | | | | | | | | | |
| CT1200A | 1200:5 | 0.3 | 10 | 8.00 | 1.75 | 7.25 | 7.25 | 5.50 | 7.12 | .28 | .37 | 3.8 |
| | | 1.2 | 50 | | | | | | | | | |

Current Transformers (CT Series)

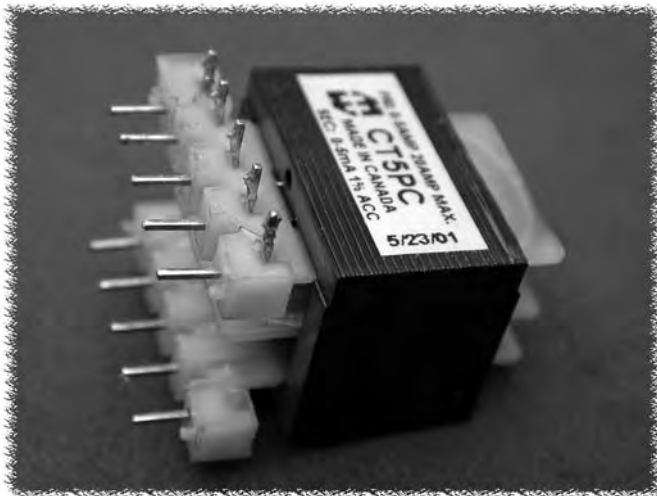
TOROIDAL CT APPLICATION DATA

To obtain current measurement:

- Pass the wire carrying the current to be measured through the window of the C.T. transformer (acting as a primary winding).
- Connect the C.T. secondary to an ammeter with a 5 A movement.

For higher accuracy or higher VA burden rating:

- Choose a C.T. with a primary which is a multiple of the required primary rating and which has the accuracy or VA burden you require.
- Loop the wire carrying the current to be measured through the window a number of times equal to the multiple. This "winding" will reduce the ratio back to required primary rating.
- Example "A": To obtain an accuracy of 1.2% at 10VA burden with a ratio of 100:5, use a C.T.400 and loop 4 primary turns through the window.
- Example "B": To obtain a 25:5 ratio, use a C.T.75 with 3 primary turns to yield 2% accuracy or a C.T.50 with 2 primary turns to yield 3.2% accuracy.



SMALL CURRENT TRANSFORMERS

- Designed for a 5 amp. primary (maximum 20 Amp), secondary current 5 ma.
- 40 - 1,000 Hz. operation.
- Customer to supply primary winding (1 turn through open top of transformer bobbin).
- Two hole chassis mount or P.C. board pin mount.
- Both units have 5 ma. secondary for use with standard AC ammeters with 5 ma.movements.
- High accuracy windings (1%).

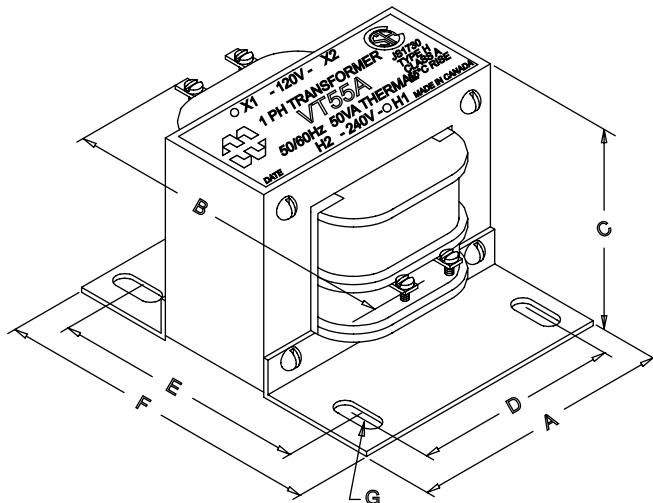
| Part No. | Mounting | Overall Dimensions (Inches) | | | Mtg. Hole (Inches) | Ship Wt. oz. |
|----------|------------|-----------------------------|------|-------|--------------------|--------------|
| | | H | D | W | | |
| CT5CF | Chassis | 1.25 | 1.10 | 2.063 | 0.187 | 2.6 |
| CT5PC | P.C. Board | 1.40 | 1.08 | 1.03 | n/a | 1.8 |

APPLICATION DATA

To obtain current measurement:

1. Pass the wire carrying the current to be measured through the window of the current transformer (acting as a primary winding).
2. Connect the secondary to an ammeter with a 5 mA movement.

Potential Transformers (HX, PT & VT Series)



POTENTIAL TRANSFORMERS

- Used (with 150 Volt full scale A.C. voltmeters) to measure the voltage of 240, 480 or 600 VAC systems.
- Primary insulated for 4.0 KV rms test, suitable for L.V. switchgear and motor control use.
- 50/60 Hz. operation.
- Open construction - "Type H" - Insulation system 55 degree C rise, Class 105.
- CSA certified LR3902 or LR38216.
- The nominal line voltages of 240 and 480 volts may be exceeded by 25% for 60 Hz. operation.

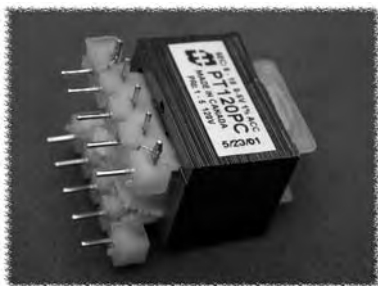
| Part No. | Nominal Line Voltage | Ratio Pri. / Sec. | Accuracy % | VA | Thermal Rating | Overall Dimensions (Inches) | | | Mounting Centers (Inches) | | Mtg. Slot (Inches) | | Ship Wt. Lb. |
|----------|----------------------|-------------------|------------|------|----------------|-----------------------------|------|------|---------------------------|------|--------------------|-----|--------------|
| | | | | | | A | B | C | D | E | G | H | |
| VT55A | 240 | 240:120 | 1.2 | 0-8 | 50 | 3.00 | 3.25 | 2.56 | 2.50 | 2.50 | .22 | .44 | 3.0 |
| HX54A | 240 | 240:120 | 1.2 | 0-20 | 100 | 3.75 | 4.00 | 3.13 | 3.13 | 3.13 | .22 | .44 | 6.6 |
| VT57A | 480 | 480:120 | 1.2 | 0-8 | 50 | 3.00 | 3.25 | 2.56 | 2.50 | 2.50 | .22 | .44 | 3.0 |
| HX74A | 480 | 480:120 | 1.2 | 0-20 | 100 | 3.75 | 4.00 | 3.13 | 3.13 | 3.13 | .22 | .44 | 6.6 |
| VT59A | 600 | 600:120 | 1.2 | 0-8 | 50 | 3.00 | 3.25 | 2.56 | 2.50 | 2.50 | .22 | .44 | 3.0 |
| HX94A | 600 | 600:120 | 1.2 | 0-20 | 100 | 3.75 | 4.00 | 3.13 | 3.13 | 3.13 | .22 | .44 | 6.6 |



LOW VOLTAGE PT



- Used to measure the voltage of 120 VAC systems with 5 Volt full scale A.C. voltmeters.
- 50/60 Hz. operation.
- Choice of chassis mount or P.C. board pin mount.
- High accuracy windings (1%).



| Part No. | Overall Dimensions (Inches) | | | Mtg. Hole (Inches) | Ship Wt. oz. |
|----------|-----------------------------|------|-------|--------------------|--------------|
| | H | D | W | | |
| PT120CF | 1.25 | 1.10 | 2.063 | 0.187 | 3.4 |
| PT120PC | 1.40 | 1.08 | 1.03 | n/a | 2.1 |