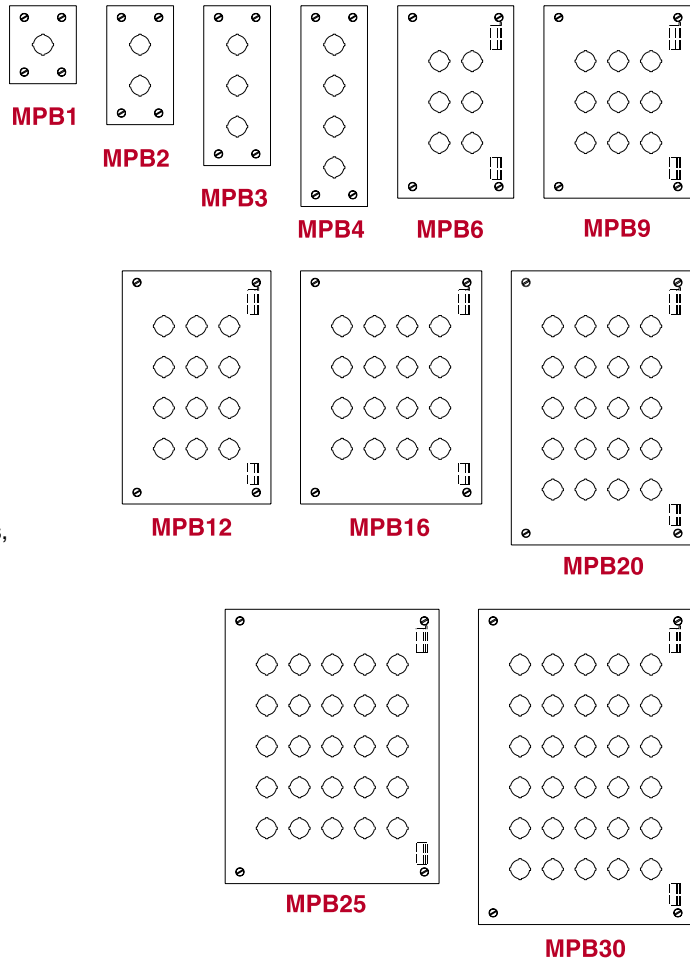


Pushbutton Enclosures - NEMA 12, 13

Miniature Pushbutton MPB Series

Operator Interface Enclosure



Application

- Designed to accept 22mm miniature oil tight pushbuttons, switches and pilot lights.
- Provides protection from dirt, dust, oil and water.

Standards

- UL 508 Type 12 and 13
- CSA Type 12 and 13
- **Complies with**
 - NEMA Type 12 and 13
 - JIC EMP-1-1967
 - JIC EGP-1-1967
 - IEC 60529, IP54
- Appropriate components are required to maintain these standards.

Construction

- Formed 14 gauge steel except the MPB1 which is 16 gauge.
- Smooth continuously welded seams.
- Welded brackets provide for enclosure mounting.
- Captive cover screws thread into sealed wells.
- Larger enclosures provide internally hinged removable covers, designed to hold the cover open during wiring (see table).
- Oil resistant gasket and adhesive.
- A grounding stud is provided in the enclosure.

Finish

- Cover and enclosure are phosphatized and finished in ANSI 61 gray powder coating.

Accessories

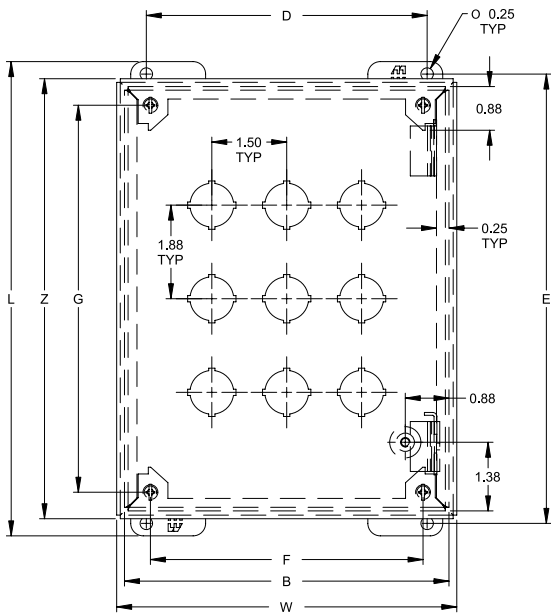
- Hole plugs...see page [432](#)
- Pedestals...see page [449](#)

Pushbutton Enclosures

Pushbutton Enclosures - NEMA 12, 13

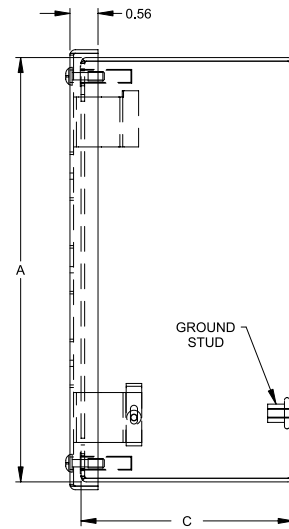
Miniature Pushbutton MPB Series

Operator Interface Enclosure

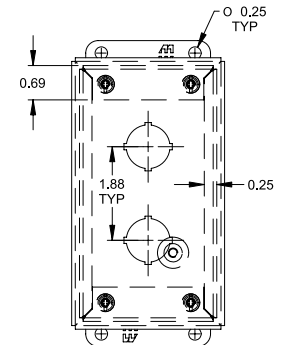


Front View

Body Type MPB6 through MPB30
(Hinged)

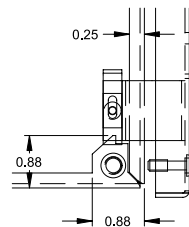


Side View



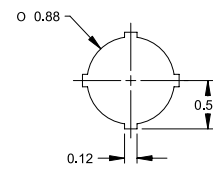
Front View

Body Type MPB1 through MPB4
(Not Hinged)



Hinge Detail

Retractable pin allows door to be mounted on left or right side



22.5mm Detail

Pushbutton Enclosures

Part No.	No. of Holes	Overall Dimensions										Ship Wt. lbs.
		A	B	C	D	E	F	G	L	W	Z	
MPB1 ¹	1	3.25	2.75	3.50	1.88	3.75	1.71	2.50	4.25	3.06	3.56	2
MPB2 ¹	2	5.13	2.75	3.50	1.88	5.63	1.71	4.38	6.13	3.06	5.44	3
MPB3 ¹	3	7.00	2.75	3.50	1.88	7.50	1.71	6.25	8.00	3.06	7.31	3
MPB4 ¹	4	8.88	2.75	3.50	1.88	9.38	1.71	8.13	9.88	3.06	9.19	4
MPB6	6	8.50	5.00	4.25	4.13	9.00	3.96	7.75	9.50	5.31	8.81	5
MPB9	9	8.50	6.50	4.25	5.63	9.00	5.46	7.75	9.50	6.81	8.81	6
MPB12	12	10.38	6.50	4.25	5.63	10.88	5.46	9.63	11.38	6.81	10.69	6
MPB16	16	10.38	8.00	4.25	7.13	10.88	6.96	9.63	11.38	8.31	10.69	7
MPB20	20	12.25	8.00	4.25	7.13	12.75	6.96	11.50	13.25	8.31	12.56	8
MPB25	25	12.25	9.50	4.25	8.63	12.75	8.46	11.50	13.25	9.81	12.56	9
MPB30	30	14.13	9.50	4.25	8.63	14.63	8.46	13.38	15.13	9.81	14.44	10

¹ Not hinged