

Screw Cover Enclosures with Knockouts

NEMA 3R



Commercial Enclosures

Application

- Designed for use as a wiring/ junction box.
- Provides protection against rain, sleet, snow and dripping water.

Standards

- UL-50 Type 3R
- CSA Type 3R
- **Complies with:**
 - NEMA Type 3R
 - IEC 60529, IP24

Construction

- Formed and spot welded from 16 or 14 gauge galvanized steel.
- Drip-shield top and seam-free sides, front and back.
- Slip-on removable cover fastened with plated steel screws.
- Door handles on body type C enclosures.
- Embossed mounting holes on back of enclosure.
- Easily removed knockouts on bottom of enclosure.
- Padlocking hasp.
- No Gasket.

Finish

- Enclosure and cover are finished in ANSI 61 gray powder coating.

Screw Cover Enclosures with Knockouts

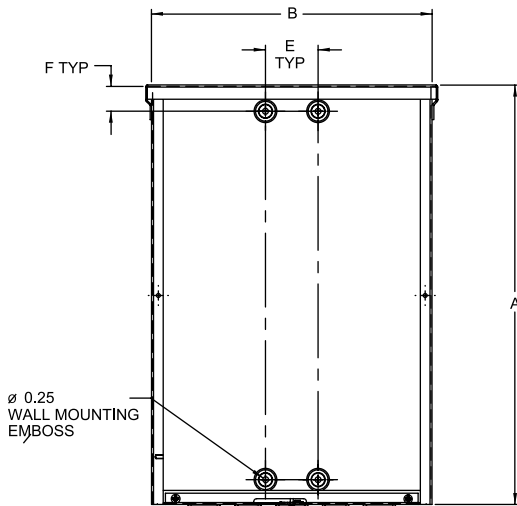
NEMA 3R

Part No.	Body Type	Mounting						Knockout Pattern (see next page)	Shipping Wt. lbs
		A	B	C	D	E	F		
C3R444SC	A	4	4	4	-	1.88	2.00	2-3	2
C3R644SC	A	6	4	4	-	1.88	1.06	2-3	2
C3R1244SC	A	12	4	4	-	1.88	1.06	2-3	3
C3R664SC	A	6	6	4	-	2.25	1.06	2-3-4	4
C3R864SC	A	8	6	4	-	2.25	1.06	2-3-4	5
C3R884SC	A	8	8	4	-	2.25	1.06	6-7-8-9	5
C3R1084SC	A	10	8	4	-	2.25	1.06	6-7-8-9	7
C3R1284SC	A	12	8	4	-	2.25	1.06	6-7-8-9	7
C3R10104SC	A	10	10	4	-	2.25	1.06	3-4-5-6-7	7
C3R12104SC	A	12	10	4	-	2.25	1.06	3-4-5-6-7	9
C3R12124SC	A	12	12	4	-	2.25	1.06	3-4-5-6-7	10
C3R18124SC	A	18	12	4	-	2.25	1.06	3-4-5-6-7	13
C3R18184SC	B	18	18	4	-	13.00	1.12	1-2-3-4-5-6-7-8-9	19
C3R666SC	A	6	6	6	-	2.25	1.06	2-3-4	5
C3R1866SC	A	18	6	6	-	2.25	1.06	2-3-4	12
C3R886SC	A	8	8	6	-	2.25	1.06	6-7-8-9	6
C3R1086SC	A	10	8	6	-	2.25	1.06	6-7-8-9	11
C3R10106SC	A	10	10	6	-	2.25	1.06	3-4-5-6-7	13
C3R1286SC	A	12	8	6	-	2.25	1.06	6-7-8-9	11
C3R12106SC	A	12	10	6	-	2.25	1.06	3-4-5-6-7	12
C3R12126SC	A	12	12	6	-	2.25	1.06	3-4-5-6-7	12
C3R15126SC	A	15	12	6	-	2.25	1.06	3-4-5-6-7	13
C3R16126SC	A	16	12	6	-	2.25	1.06	3-4-5-6-7	14
C3R18126SC	A	18	12	6	-	2.25	1.06	3-4-5-6-7	15
C3R18186SC	B	18	18	6	-	13.00	1.12	1-2-3-4-5-6-7-8-9	16
C3R24126SC	B	24	12	6	-	13.00	1.12	3-4-5-6-7	25
C3R24186SC	B	24	18	6	-	13.00	1.12	1-2-3-4-5-6-7-8-9	33
C3R24246SC	B	24	24	6	-	13.00	1.12	1-2-3-4-5-6-7-8-9	40
C3R888SC	A	8	8	8	-	2.25	1.06	6-7-8-9	8
C3R2488SC	A	24	8	8	-	2.25	1.06	6-7-8-9	17
C3R12128SC	A	12	12	8	-	2.25	1.06	3-4-5-6-7	13
C3R15128SC	A	15	12	8	-	2.25	1.06	3-4-5-6-7	14
C3R18128SC	A	18	12	8	-	2.25	1.06	3-4-5-6-7	19
C3R24168SC	B	24	16	8	-	13.00	1.12	3-4-5-6-7	22
C3R18188SC	B	18	18	8	-	13.00	1.12	1-2-3-4-5-6-7-8-9	25
C3R24188SC	B	24	18	8	-	13.00	1.12	1-2-3-4-5-6-7-8-9	38
C3R24208SC	B	24	20	8	-	13.00	1.12	1-2-3-4-5-6-7-8-9	39
C3R24248SC	C	24	24	8	12.04	13.00	1.12	1-2-3-4-5-6-7-8-9	44
C3R30248SC	C	30	24	8	15.04	13.00	1.12	1-2-3-4-5-6-7-8-9	53
C3R48368SC	C	48	36	8	24.04	33.00	1.50	1-2-3-4-5-6-7-8-9	150
C3R181810SC	C	18	18	10	9.04	13.00	1.12	1-2-3-4-5-6-7-8-9	25
C3R241810SC	C	24	18	10	12.04	13.00	1.12	1-2-3-4-5-6-7-8-9	38
C3R242410SC	C	24	24	10	12.04	13.00	1.12	1-2-3-4-5-6-7-8-9	49
C3R302410SC	C	30	24	10	15.04	13.00	1.50	1-2-3-4-5-6-7-8-9	55
C3R242412SC	C	24	24	12	12.04	13.00	1.12	1-2-3-4-5-6-7-8-9	54
C3R303012SC	C	30	30	12	15.04	27.00	1.50	1-2-3-4-5-6-7-8-9	125
C3R363012SC	C	36	30	12	18.04	27.00	1.50	1-2-3-4-5-6-7-8-9	128
C3R363612SC	C	36	36	12	18.04	33.00	1.50	1-2-3-4-5-6-7-8-9	130
C3R303016SC	C	30	30	16	15.04	27.00	1.50	1-2-3-4-5-6-7-8-9	127
C3R483616SC	C	48	36	16	24.04	33.00	1.50	1-2-3-4-5-6-7-8-9	155

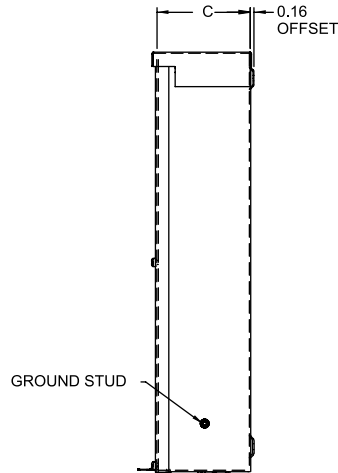
Screw Cover Enclosures with Knockouts

NEMA 3R

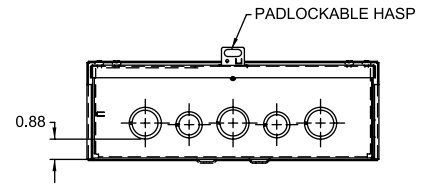
Body Type A



Front View - Cover Removed

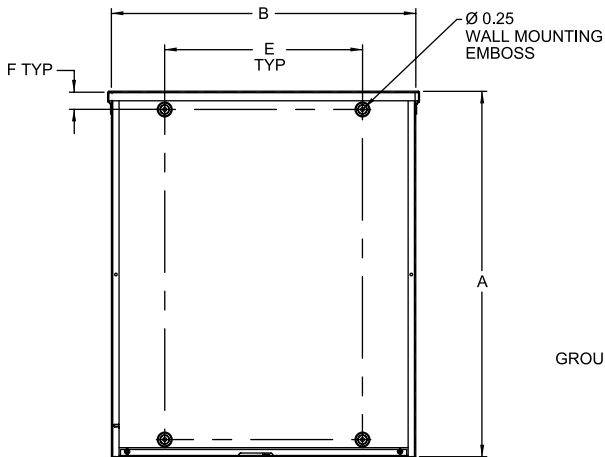


Side View

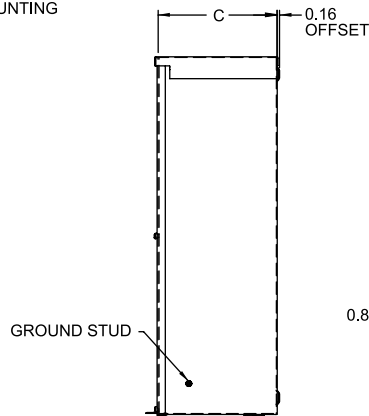


Bottom View
(SEE KNOCKOUT PATTERN FOR DETAILS)

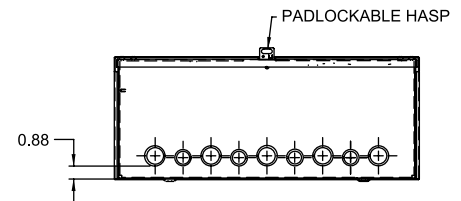
Body Type B



Front View - Cover Removed



Side View



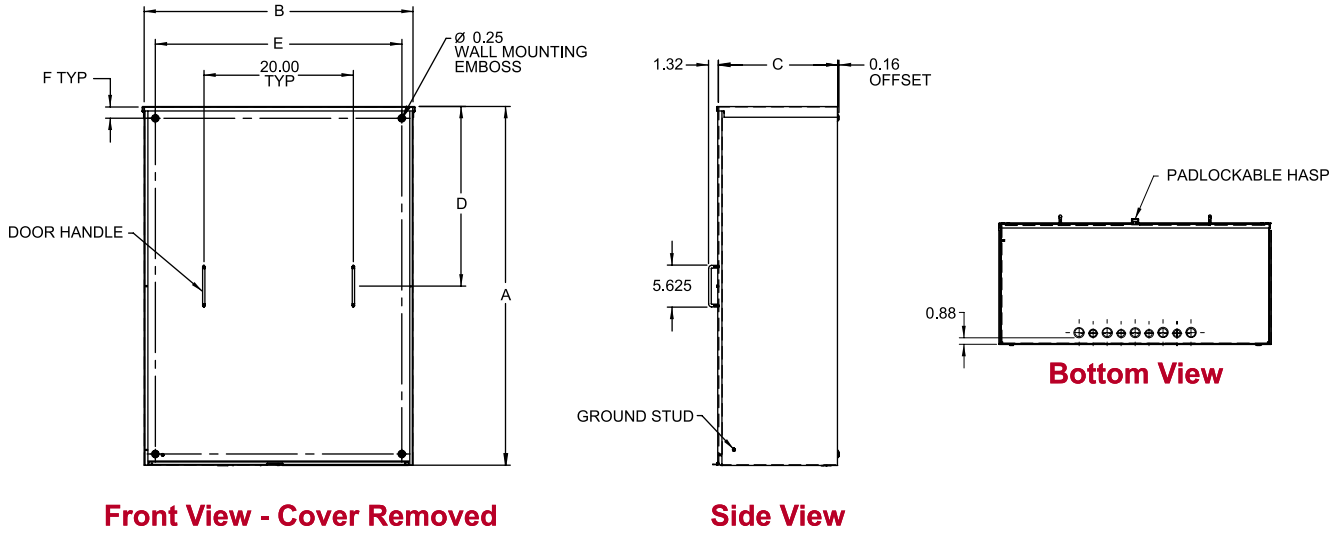
Bottom View
(SEE KNOCKOUT PATTERN FOR DETAILS)

Commercial Enclosures

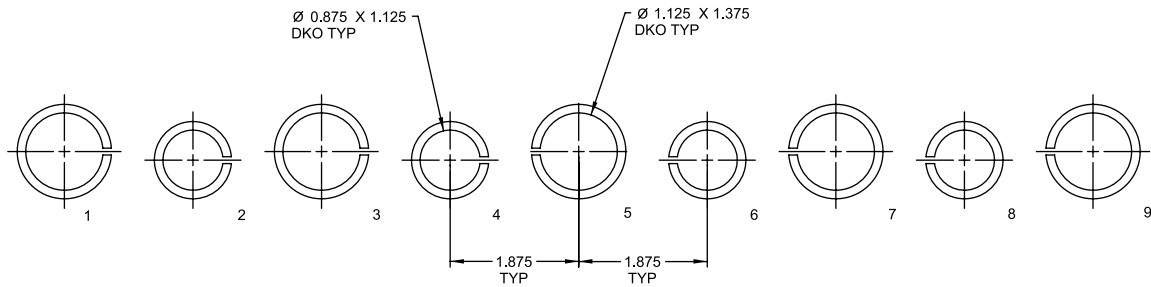
Screw Cover Enclosures with Knockouts

NEMA 3R

Body Type C



Knockout Pattern



Small Hinged Cover Enclosures with Knockouts

NEMA 3R



Panel
Sold
Separately



Commercial Enclosures

Application

- Designed for use as a wiring/junction box.
- Provides protection against rain, sleet, snow and dripping water.

Standards

- UL-50 Type 3R
- CSA Type 3R
- **Complies with**
 - NEMA Type 3R
 - IEC 60529, IP24

Construction

- Formed and spot welded from 16 gauge galvanized steel.
- Drip-shield top and seam-free sides, front and back.
- Galvanized steel hinge has stainless steel pin.
- Provisions for padlocking on zinc-plated draw pull catch.
- Easily removed knockouts on bottom of enclosure.
- Panel studs provided for mounting optional panels.
- External mounting feet.
- Oil resistant gaskets are permanently secured.

Finish

- Enclosure and cover are finished in ANSI 61 gray powder coating.

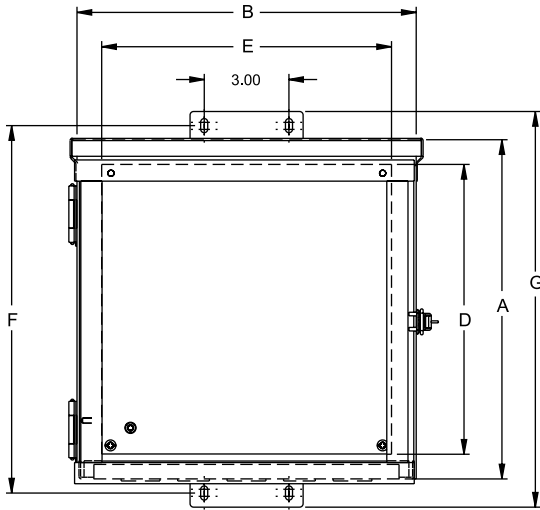
Accessories

- Inner Panel...see page 379

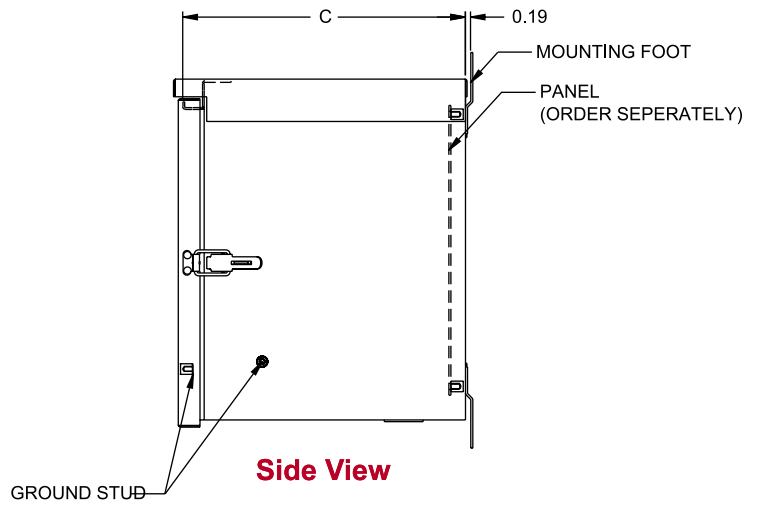
Small Hinged Cover Enclosures with Knockouts

NEMA 3R

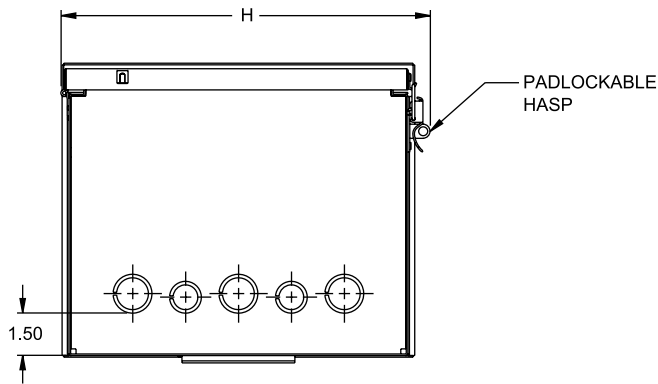
Commercial Enclosures



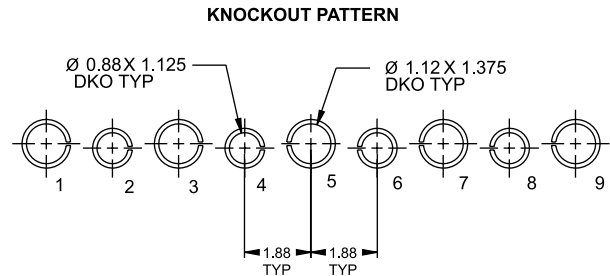
Front View - Cover Removed



Side View



Bottom View



Part No.	Optional Panel Part Number	Panel Size					Mounting F	Overall Dimensions			Knockout Pattern	Shipping Wt. lbs
		A	B	C	D	E		G	H			
C3R644HCR	N1JP64	6	4	4	4.25	2.25	7.00	8.00	5.10	2-3-4	3	
C3R664HCR	N1JP66	6	6	4	4.25	4.25	7.00	8.00	7.10	2-3-4	5	
C3R864HCR	N1JP86	8	6	4	6.25	4.25	9.00	10.00	7.10	2-3-4	6	
C3R886HCR	N1JP88	8	8	6	6.25	6.25	9.00	10.00	9.10	6-7-8-9	8	
C3R1086HCR	N1JP108	10	8	6	8.25	6.25	11.00	12.00	9.10	6-7-8-9	9	
C3R12106HCR	N1JP1210	12	10	6	10.25	8.25	13.00	14.00	11.10	3-4-5-6-7	11	
C3R12126HCR	N1JP1212	12	12	6	10.25	10.25	13.00	14.00	13.10	3-4-5-6-7	13	
C3R121210HCR	N1JP1212	12	12	10	10.25	10.25	13.00	14.00	13.10	3-4-5-6-7	20	

Medium Hinged Cover Enclosures without Knockouts

NEMA 3R

Commercial Enclosures



**Panel
Sold
Separately**



Application

- Designed for use as a wiring/ junction box.
- Provides protection against rain, sleet, snow and dripping water.

Standards

- UL-50 Type 3R
- CSA Type 3R
- **Complies with**
 - NEMA Type 3R
 - IEC 60529, IP24

Construction

- Formed and spot welded from 16 or 14 gauge galvanized steel.
- Drip shield top and seam-free sides, front and back.
- Stainless steel continuous hinge.
- Cover fastened with captive plated screws.
- Padlocking hasp.
- Collar studs provided for mounting optional panels.
- External mounting feet.
- Oil resistant gaskets are permanently secured.

Finish

- Enclosure and cover are finished inside and out in ANSI 61 gray powder coating.

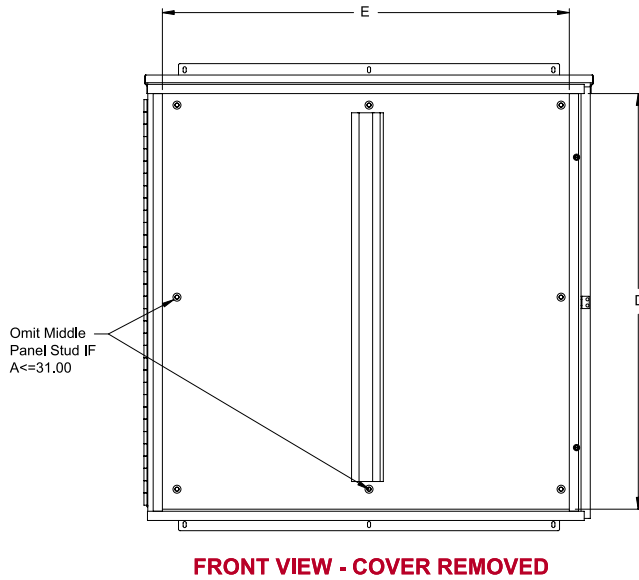
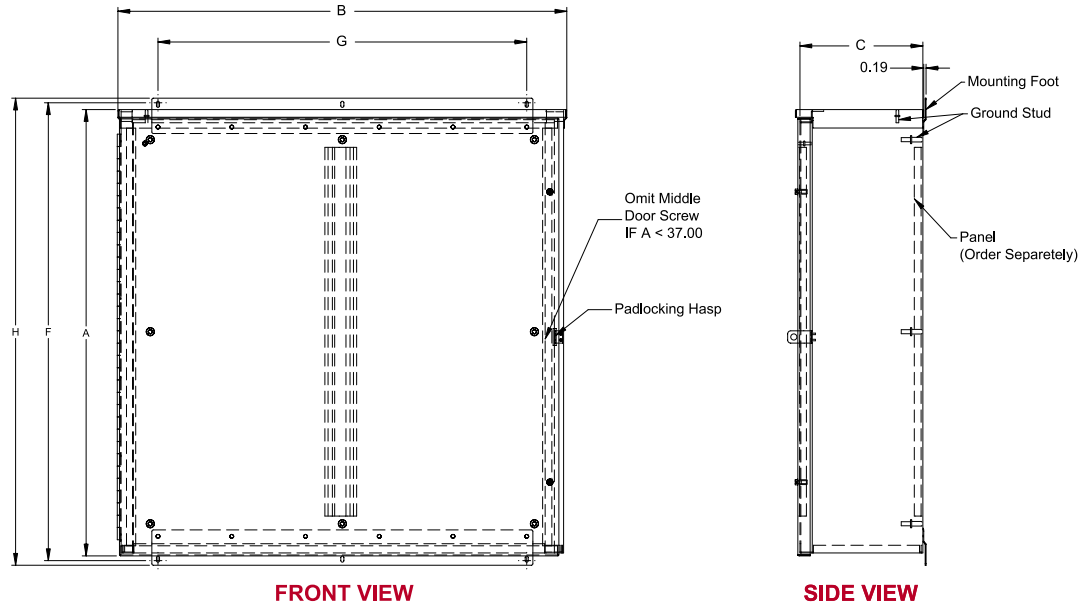
Accessories

- Inner Panel...*see below*

Part No.	Optional Panel Part Number	Panel Size					Mounting		Overall H	Shipping Wt. lbs
		A	B	C	D	E	F	G		
C3R16126HCR	18P1309	16	12	6	13.00	9.00	17.00	5.00	18.00	17
C3R16166HCR	18P1313	16	16	6	13.00	13.00	17.00	13.00	18.00	18
C3R18186HCR	18P1515	18	18	6	15.00	15.00	19.00	13.00	20.00	20
C3R20166HCR	18P1713	20	16	6	17.00	13.00	21.00	13.00	22.00	25
C3R20208HCR	18P1717	20	20	8	17.00	17.00	21.00	13.00	22.00	38
C3R24208HCR	18P2117	24	20	8	21.00	17.00	25.00	13.00	26.00	41
C3R24248HCR	18P2121	24	24	8	21.00	21.00	25.00	13.00	26.00	53
C3R30248HCR	18P2721	30	24	8	27.00	21.00	31.00	13.00	32.00	62
C3R30308HCR	18P2727	30	30	8	27.00	27.00	31.00	27.00	32.00	64
C3R181810HCR	18P1515	18	18	10	15.00	15.00	19.00	13.00	20.00	22
C3R242410HCR	18P2121	24	24	10	21.00	21.00	25.00	13.00	26.00	59
C3R302410HCR	18P2721	30	24	10	27.00	21.00	31.00	13.00	32.00	71

Medium Hinged Cover Enclosures without Knockouts

NEMA 3R



Commercial Enclosures

Part No.	Optional Panel Part Number	Panel Size					Mounting		Overall H	Shipping Wt. lbs
		A	B	C	D	E	F	G		
C3R363610HCR	18P3333	36	36	10	33.00	33.00	37.00	30.00	38.00	82
C3R303012HCR	18P2727	30	30	12	27.00	27.00	31.00	27.00	32.00	102
C3R362412HCR	18P3321	36	24	12	33.00	21.00	37.00	13.00	38.00	102
C3R363012HCR	18P3327	36	30	12	33.00	27.00	37.00	27.00	38.00	103
C3R423012HCR	18P3927	42	30	12	39.00	27.00	43.00	27.00	44.00	113
C3R363612HCR	18P3333	36	36	12	33.00	33.00	37.00	27.00	38.00	119
C3R423612HCR	18P3933	42	36	12	39.00	33.00	43.00	27.00	44.00	131
C3R483612HCR	18P4533	48	36	12	45.00	33.00	49.00	27.00	50.00	153
C3R603612HCR	18P5733	60	36	12	57.00	33.00	61.00	27.00	62.00	176
C3R303016HCR	18P2727	30	30	16	27.00	27.00	31.00	27.00	32.00	105
C3R483616HCR	18P4533	48	36	16	45.00	33.00	49.00	27.00	50.00	155

Hinged Cover Lift-Off Enclosures without Knockouts

NEMA 3R

Commercial Enclosures



**Panel
Sold
Separately**



Application

- Designed for use as a wiring/junction box.
- Provides protection against rain, sleet, snow and dripping water.

Standards

- UL-50 Type 3R
- CSA Type 3R
- **Complies with**
 - NEMA Type 3R
 - IEC 60529, IP24

Construction

- Formed and spot welded from 16 or 14 gauge galvanized steel.
- Extended height door and seam-free sides, front and back.
- Galvanized steel lift-off hinges with stainless steel pins.
- Cover fastened securely with zinc plated draw pull catches.
- Provisions for padlocking on zinc-plated draw pull catch.
- Embossed mounting holes on back.
- Oil resistant gaskets are permanently secured.

Finish

- Enclosure and cover are finished in ANSI 61 gray powder coating.

Accessories

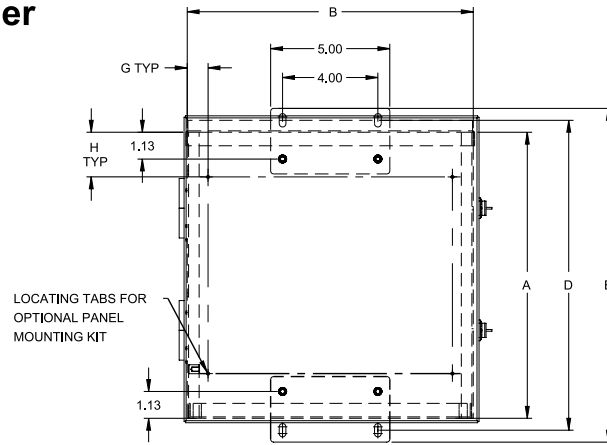
- Panel mounting kit...*see below*
- Inner panel...*see below*
- Mounting feet...*see below*

Part Number	Optional Panel	Optional Panel Mounting Kit	Optional Mount Foot Kit	A	B	C	Optional Panel Size	Mount D	Overall Dim. E	F	G	H	Body Gauge	Ship Wt. lbs
C3R864HCLO	14R0505	C3RHCLPK1	C3RHCLOMFK1	8	6	4	4.88 4.88	9	10	7.12	0.88	1.88	16	5
C3R886HCLO	14R0705	C3RHCLPK1	C3RHCLOMFK1	8	8	6	6.75 4.88	9	10	9.12	0.88	1.88	16	7
C3R1086HCLO	14R0707	C3RHCLPK1	C3RHCLOMFK1	10	8	6	6.75 6.88	11	12	9.12	0.88	1.88	16	9
C3R12106HCLO	14R0909	C3RHCLPK1	C3RHCLOMFK1	12	10	6	8.75 8.88	13	14	11.12	0.88	1.88	16	11
C3R12126HCLO	14R1109	C3RHCLPK1	C3RHCLOMFK1	12	12	6	10.75 8.88	13	14	13.12	0.88	1.88	16	12
C3R16126HCLO	14R1311	C3RHCLPK1	C3RHCLOMFK1	16	12	6	12.75 10.88	17	18	13.12	0.88	1.88	16	15
C3R16166HCLO	18P1313	C3RHCLPK2	C3RHCLOMFK2	16	16	6	13.00 13.00	17	18	17.12	2.38	2.38	16	23
C3R20166HCLO	18P1713	C3RHCLPK2	C3RHCLOMFK2	20	16	6	17.00 13.00	21	22	17.12	2.38	2.38	16	27
C3R20208HCLO	18P1717	C3RHCLPK2	C3RHCLOMFK2	20	20	8	17.00 17.00	21	22	21.12	2.38	2.38	16	36
C3R24208HCLO	18P2117	C3RHCLPK2	C3RHCLOMFK2	24	20	8	21.00 17.00	25	26	21.12	2.38	2.38	16	43
C3R24248HCLO	18P2121	C3RHCLPK2	C3RHCLOMFK2	24	24	8	21.00 21.00	25	26	25.12	2.38	2.38	14	49
C3R30248HCLO	18P2721	C3RHCLPK2	C3RHCLOMFK2	30	24	8	27.00 21.00	31	32	25.12	2.38	2.38	14	57

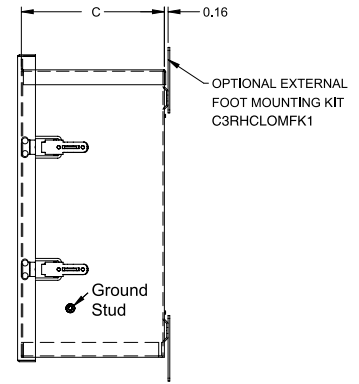
Hinged Cover Lift-Off Enclosures without Knockouts

NEMA 3R

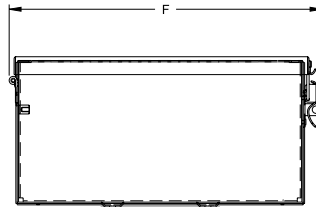
16x12 and Smaller



Front View

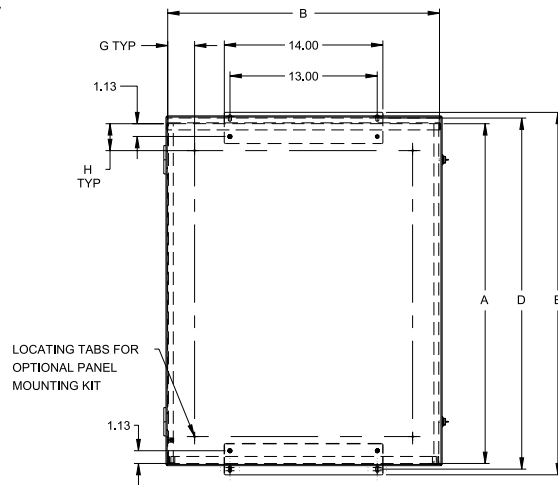


Side View

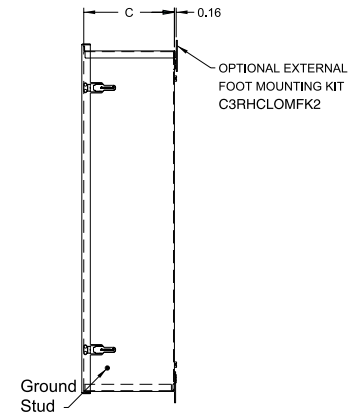


Bottom View

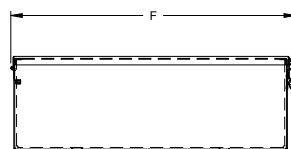
16x16 and Larger



Front View



Side View



Bottom View