

Polyester Enclosures - NEMA 4X

PJW Series - Continuous Hinge Wallmount

Panel
Sold
Separately



Corrosion Resistant Wallmount Enclosures

Application

- Designed for use as instrument enclosures, electric, hydraulic or pneumatic control housings, electrical junction boxes or terminal wiring enclosures.
- Provides outstanding insulation and protection where equipment may be hosed down or be very wet.
- Ideal in applications with high temperatures or highly corrosive environments.

Standards

- UL/cUL 508 Type 1, 2, 3, 4, 4X, 12 and 13
- CSA Type 1, 2, 3, 4, 4X, 12 and 13
- **Complies with**
 - NEMA Type 1, 2, 3, 4, 4X, 12 and 13
 - IEC 60529, IP66

Construction

- Molded fiberglass polyester enclosure with matching cover is easily punched, cut, or drilled.
- Enhanced UV inhibitors protect against outdoor weathering.
- 3/8 collar studs are provided for optional inner panel mounting, hardware included.
- Stainless steel butterfly type "twist latch" door fasteners with padlock provision.
- Captive oil resistant gasket provides a positive seal.
- Integrated mounting flange.
- Operating temperatures between 130°C and -40°C (266°F to -40°F).
- Impact index of 6.78J (5 ft/lb).
- For corrosion resistance information, please refer to table in the Technical Information section.

Finish

- Fiberglass polyester material has a gray finish.
- Optional inner panels are available in white powder coated finished steel, unfinished aluminum, or Fiberglass.

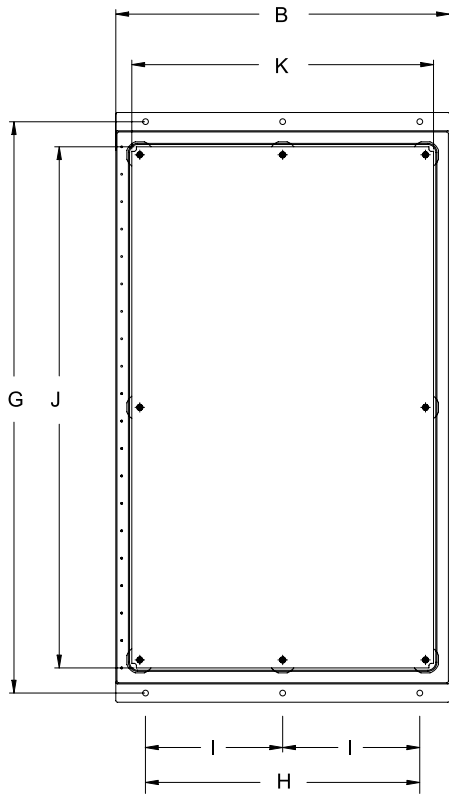
Accessories

- Painted steel inner panels
...see page **131**
- Terminal kit assemblies
...see page **436**
- Viewing windows...see page **138**

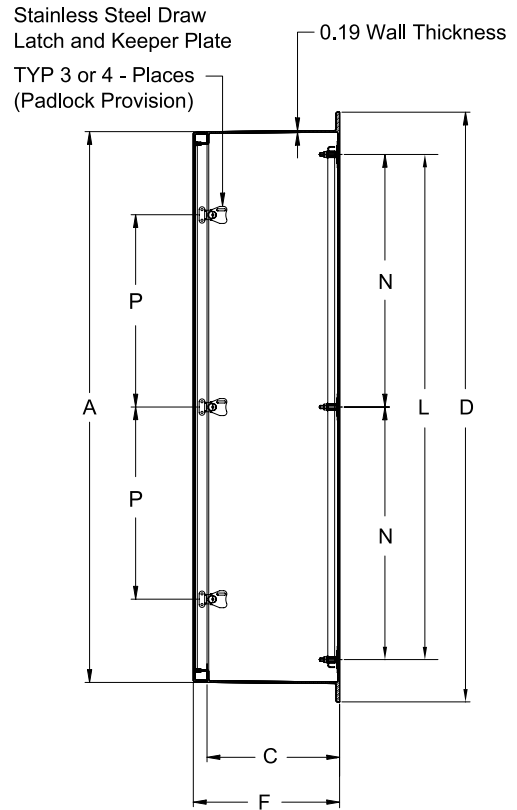
Part No.	Dimensions						Mounting Centers				
	A	B	C	D	E	F	G	H	I	J	K
PJW363010L	36.25	30.25	10.13	40.50	30.50	12.00	38.50	24.00	12.00	33.88	27.88
PJW363014L	36.25	30.25	14.13	40.50	30.50	16.00	38.50	24.00	12.00	33.88	27.88
PJW363610L	36.25	36.25	10.13	40.50	36.50	12.00	38.50	30.00	15.00	33.88	33.88
PJW363614L	36.25	36.25	14.13	40.50	36.50	16.00	38.50	30.00	15.00	33.88	33.88
PJW483610L	48.25	36.25	10.13	52.50	36.50	12.00	50.50	30.00	15.00	45.38	33.88
PJW483614L	48.25	36.25	14.13	52.50	36.50	16.00	50.50	30.00	15.00	45.38	33.88
PJW603610L	60.25	36.25	10.13	64.50	36.50	12.00	62.50	30.00	15.00	57.38	33.88
PJW603614L	60.25	36.25	14.13	64.50	36.50	16.00	62.50	30.00	15.00	57.38	33.88

Polyester Enclosures - NEMA 4X

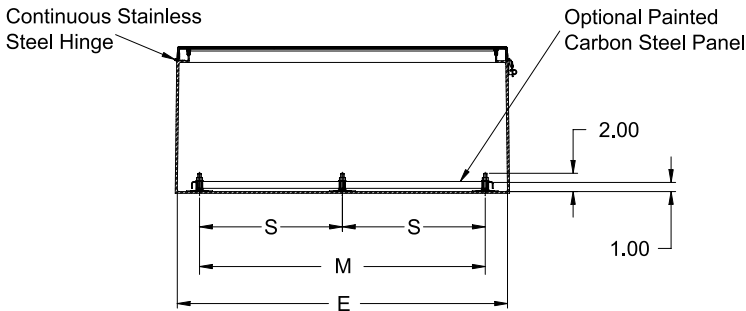
PJW Series - Continuous Hinge Wallmount



Front View



Side View



End View

Stainless Steel Draw Latch and Keeper Plate
TYP 3 or 4 - Places (Padlock Provision)

0.19 Wall Thickness

Corrosion Resistant

Wallmount Enclosures

Part No.	Panel Size				# of Latches	# of Panel Mount Studs	Panel Size		Optional Panel Part No.	Ship Weight (lbs)
	M	N	S	P			Height	Width		
PJW363010L	25.25	15.63	12.63	12.13	3	6	33	27	18P3327	59
PJW363014L	25.25	15.63	12.63	12.13	3	6	33	27	18P3327	64
PJW363610L	31.25	15.63	15.63	12.13	3	8	33	33	18P3333	72
PJW363614L	31.25	15.63	15.63	12.13	3	8	33	33	18P3333	77
PJW483610L	31.25	21.63	15.63	18.13	3	8	45	33	18P4533	83
PJW483614L	31.25	21.63	15.63	18.13	3	8	45	33	18P4533	91
PJW603610L	31.25	27.63	15.63	16.00	4	8	57	33	18P5733	101
PJW603614L	31.25	27.63	15.63	16.00	4	8	57	33	18P5733	122