

Polyester Modular Enclosures - NEMA 4X

PB Series - Clear Cover



**Panel
Sold
Separately**



**Corrosion Resistant
Junction Boxes**

Application

- Designed for use as insulated instrument enclosures, electric, control housings, electrical junction boxes or terminal wiring enclosures.
- Transparent cover provides visibility of inner components without exposure to the environment.
- Provides outstanding insulation and protection where equipment may be hosed down or be very wet.
- Ideal in applications with high temperatures or highly corrosive environments.
- High UV resistance is ideal for outdoor installations.

Standards

- UL/cUL 508 Type 1, 2, 3, 4, 4X, 12 & 13
- **Complies with**
 - NEMA 1, 2, 3, 3R, 3S, 4, 4X, 12, 13
 - IEC 60529, IP66

Construction

- Base is constructed of hot molded fiberglass reinforced polyester and has a clear polycarbonate lid.
- Self-extinguishing materials.
- Sealable slotted screws are provided to close the enclosure.
- M6 screws are provided for attaching inner panels or other equipment.
- Fully gasketed lids.
- Operating temperatures between -30°C and 120°C (-22°F to 248°F).
- Dielectric rigidity > 5kV insulating resistance > 5 MW.

Finish

- Fiberglass polyester base is finished in RAL 7032 beige.
- Optional inner panels are available in white powder coated finished steel or unfinished aluminum.

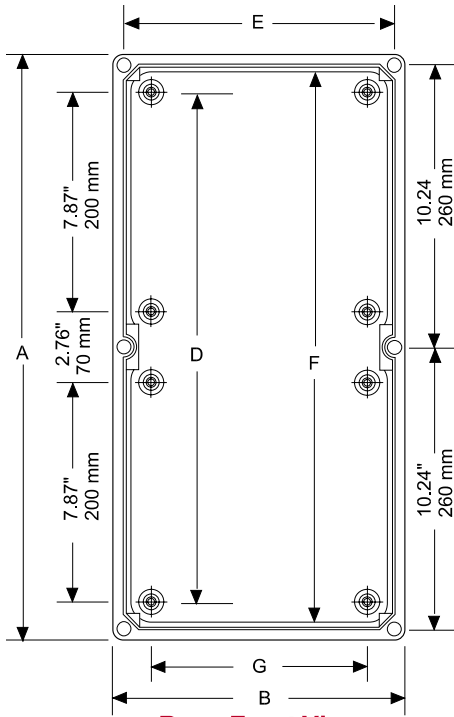
Accessories

- External hinges...*see page 102*
- Mounting feet...*see page 103*
- Painted steel inner panels...*see page 102*
- PB replacement screws...*see page 103*
- Unfinished aluminum inner panels...*see page 102*

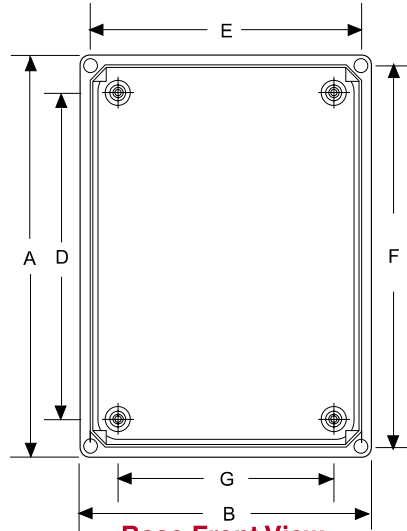
Polyester Modular Enclosures - NEMA 4X

PB Series - Clear Cover

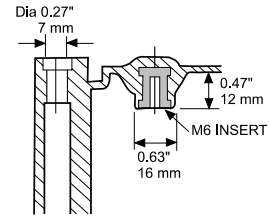
Corrosion Resistant Junction Boxes



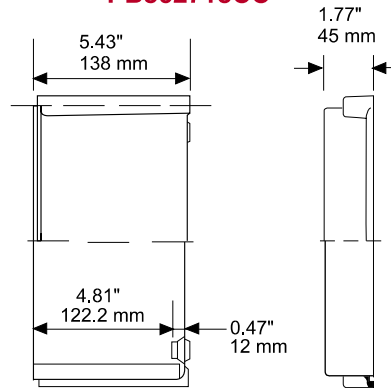
Base Front View
PB542718CC
PB543618CC



Base Front View
PB271818CC,
PB272718CC,
PB362718CC

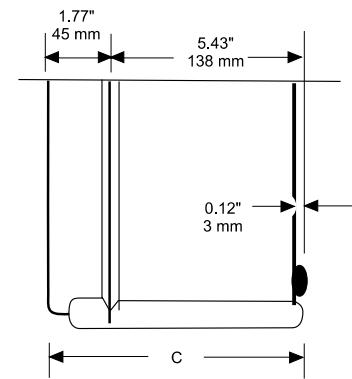


Cross Section of
Base Inside Corner
with M6 Insert



Base Side
View

Lid Side
View



Assembled
Side View

Clear Lid Part No.	Overall Dimensions								Opt. Steel Inner Panel ¹	Inner Panel Dimensions	Ship Wt. lbs
	A	B	C	D	E	F	G				
PB271818CC	inch mm	10.6 270	7.1 180	7.1 180	7.9 200	6.3 159	9.8 249	4.3 110	PBP2718	9.06 x 5.51 230 x 140	3
PB272718CC	inch mm	10.6 270	10.6 270	7.1 180	7.9 200	9.8 249	9.8 249	7.9 200	PBP2727	9.06 x 9.06 230 x 230	4
PB362718CC	inch mm	14.2 360	10.6 270	7.1 180	11.4 290	9.8 249	13.3 339	7.9 200	PBP3627	12.60 x 9.06 320 x 230	4
PB542718CC	inch mm	21.3 540	10.6 270	7.1 180	18.5 470	9.8 249	20.4 519	7.9 200	PBP5427	19.69 x 9.06 500 x 230	6
PB543618CC	inch mm	21.3 540	14.2 360	7.1 180	18.5 470	13.3 339	20.4 519	11.4 290	PBP5436	19.69 x 12.60 500 x 320	10

¹ For aluminum panel...see page 102.

Inches are for reference only. Use metric for precise measurements.

Polyester Modular Enclosures - NEMA 4X

PB Series - Solid Cover



Panel
Sold
Separately



Corrosion Resistant
Junction Boxes

Application

- Designed for use as insulated instrument enclosures, electric, control housings, electrical junction boxes or terminal wiring enclosures.
- Provides outstanding insulation and protection where equipment may be hosed down or be very wet.
- Ideal in applications with high temperatures or highly corrosive environments.
- High UV resistance ideal for outdoor installations.

Standards

- UL/cUL 508 Type 1, 2, 3, 4, 4X, 12 & 13
- **Complies with**
 - NEMA 1, 2, 3, 3R, 3S, 4, 4X, 12, 13
 - IEC 60529, IP66

Construction

- Bases and lids are constructed of hot molded fiberglass reinforced polyester.
- Self-extinguishing materials.
- Sealable slotted screws are provided to close the enclosure.
- M6 screws are provided for attaching inner panels or other equipment.
- Fully gasketed lids.
- Operating temperatures between -30°C and 150°C (-22°F to 302°F).
- Dielectric rigidity > 5kV insulating resistance > 5 MW.
- For corrosion resistance information, please refer to table in the Technical Information section... *see page 467.*

Finish

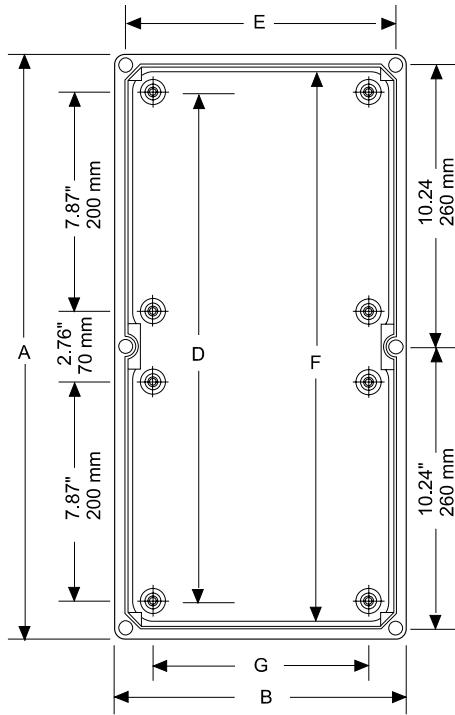
- Fiberglass polyester material is finished in RAL 7032 beige.
- Optional inner panels are available in white powder coated finished steel or unfinished aluminum.

Accessories

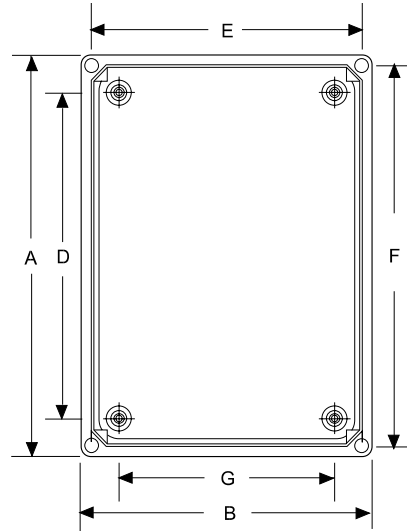
- External hinges...*see page 102*
- Mounting feet...*see page 103*
- Painted steel inner panels...*see page 102*
- PB replacement screws...*see page 103*
- Unfinished aluminum inner panels...*see page 102*

Polyester Modular Enclosures - NEMA 4X

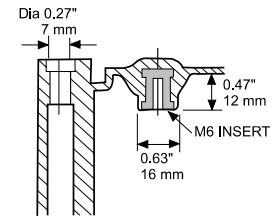
PB Series - Solid Cover



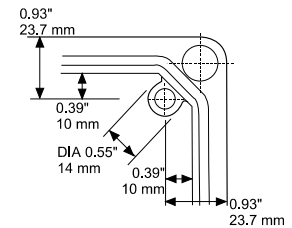
Base Front View
PB542718



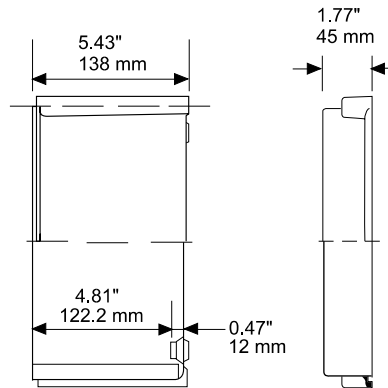
Base Front View
PB271818, PB272718,
PB362718



Cross Section of
Base Inside Corner
with M6 Insert

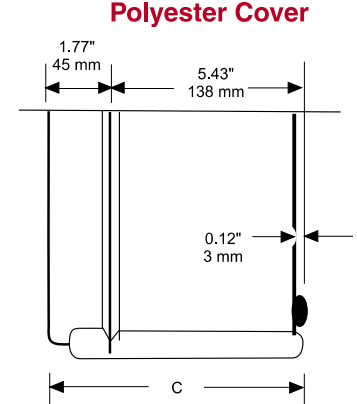


Typical Corner View
Polyester Cover



Base Side
View

Lid Side
View



Assembled
Side View

Corrosion Resistant Junction Boxes

Solid Lid Part No.	Units	Overall Dimensions							Opt. Steel Inner Panel ¹	Inner Panel Dimensions	Ship Wt. lbs
		A	B	C	D	E	F	G			
PB271818	inch	10.6	7.1	7.1	7.9	6.3	9.8	4.3	PBP2718	9.06 x 5.51 230 x 140	3
	mm	270	180	180	200	159	249	110			
PB272718	inch	10.6	10.6	7.1	7.9	9.8	9.8	7.9	PBP2727	9.06 x 9.06 230 x 230	5
	mm	270	270	180	200	249	249	200			
PB362718	inch	14.2	10.6	7.1	11.4	9.8	13.3	7.9	PBP3627	12.60 x 9.06 320 x 230	5
	mm	360	270	180	290	249	339	200			
PB542718	inch	21.3	10.6	7.1	18.5	9.8	20.4	7.9	PBP5427	19.69 x 9.06 500 x 230	7
	mm	540	270	180	470	249	519	200			

¹ For aluminum panel...see page 102.

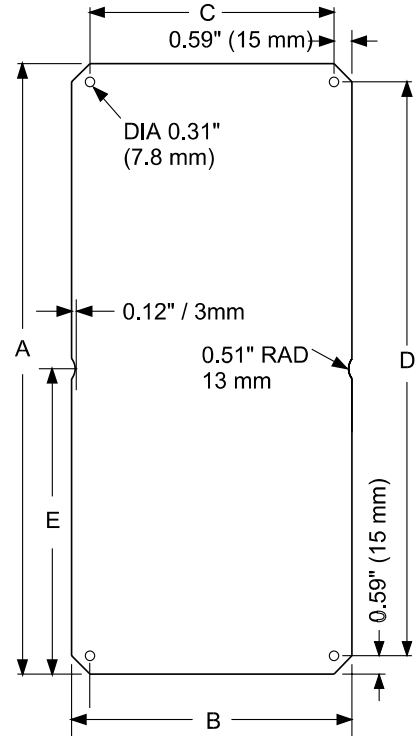
Inches are for reference only. Use metric for precise measurements.

Polyester Modular Enclosures - NEMA 4X

PB Series - Accessories

PB Series Inner Panel

- Available in steel or unfinished aluminum.
- 14 gauge steel panels are finished in white powder coating.
- Aluminum panels are 0.080" (2.03 mm) unfinished.
- Hardware to mount inner panel is included with PB series enclosures.



Steel Panel Part No.	Aluminum Panel	Fits PB Enclosure		A	B	C	D	E
PBP2718	PBPA2718	PB271818	inch	9.06	5.51	4.33	7.88	—
		PB271818CC	mm	230	140	110	200	—
PBP2727	PBPA2727	PB272718	inch	9.06	9.06	7.88	7.88	—
		PB272718CC	mm	230	230	200	200	—
PBP3627	PBPA3627	PB362718	inch	12.60	9.06	7.88	11.42	—
		PB362718CC	mm	320	230	200	290	—
PBP5427	PBPA5427	PB542718	inch	19.69	9.06	7.88	18.51	9.84
		PB542718CC	mm	500	230	200	470	250
PBP5436	PBPA5436	PB543618	Inch	19.69	12.60	11.42	18.51	9.84
		PB543618CC	mm	500	320	290	470	250

PB Series External Hinges

- Fit all PB series enclosures sizes.
- External hinges have a 180° opening.
- Polyamide and fiberglass construction.
- Maintains IP rating when installed.
- Packaged in quantities of two.
- Easily installed in the field.



Part No. **PBEH**

Corrosion Resistant Junction Boxes

Polyester Modular Enclosures - NEMA 4X

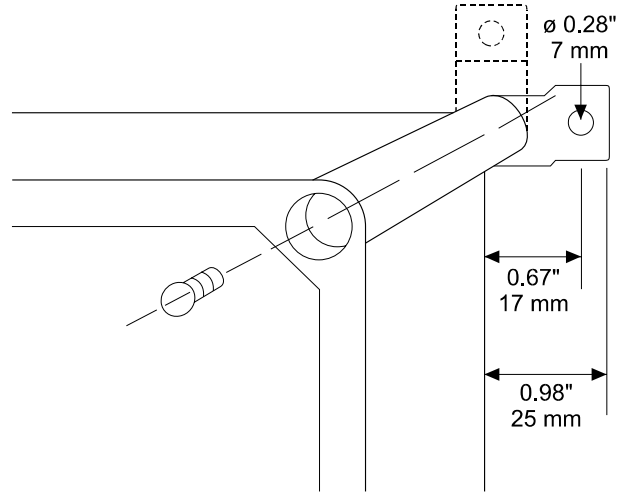
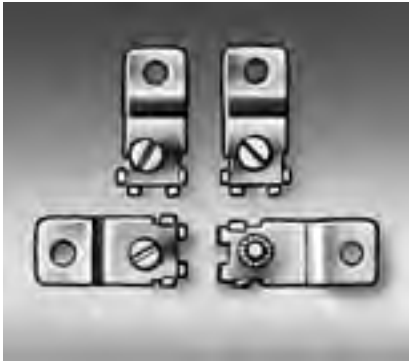
PB Series - Accessories



PB Series Mounting Feet

- Constructed of stainless steel.
- Fits all sizes of PB series enclosures.
- Packaged in quantities of four.
- Can be mounted horizontally or vertically.
- Easily installed in the field.

Part No. **PBMF**



PB Replacement Screws

- Fit all PB series enclosure sizes.
- Replacement screws in case the original screws are lost or broken.
- Packaged in quantities of eight.

Part No. **PBSC8**

Corrosion Resistant Junction Boxes