

Series 2000 Modular Console System - NEMA 12, 4, 4X

External Components

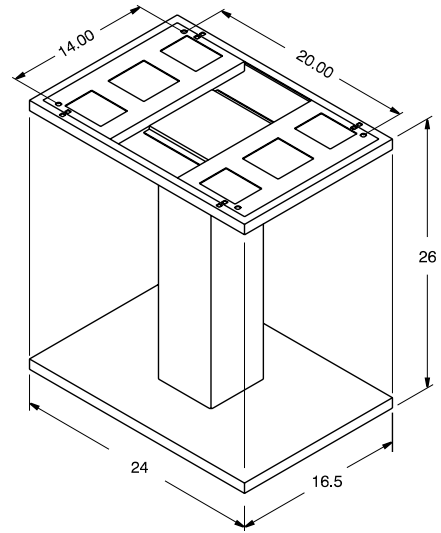
Operator Interface Enclosure



Pedestal

- Maintains NEMA rating of system.
- Formed 14 gauge steel.
- Also offered with formed 14 gauge stainless steel.
- Stiffeners added for solid stability.
- Open top and bottom provides an unobstructed wireway for pull through cabling.
- Can be mounted directly on floor or on a plinth.
- Available in beige, gray and stainless steel.

Part No.	Finish
2CRS	RAL 7032 Beige
2CPS	ANSI 61 Gray
2CSS	Stainless Steel

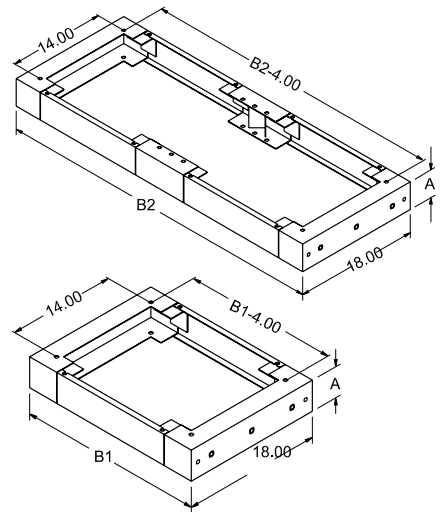


Modular Console System



Modular Plinth

- Features removable front and rear panels for easy access to bottom for cabling or transport by forklift.
- For cable access, features 3 double knockouts on each end. (**NOTE:** not on stainless steel version)
- Available in 4" and 8" heights.
- Available in 24", 36", 48" and 60" widths.
- Maintains NEMA rating of system.
- Formed 14 gauge steel.
- Also offered with formed 14 gauge stainless steel.
- Available in beige, gray and stainless steel.

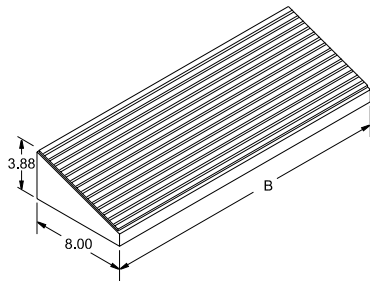


RAL 7032 Beige Part No.	ANSI 61 Gray Part No.	Stainless Steel Part No.	A	B1	B2
2CRP42418	2CPP42418	2CSP42418	4	24	—
2CRP43618	2CPP43618	2CSP43618	4	36	—
2CRP44818	2CPP44818	2CSP44818	4	—	48
2CRP46018	2CPP46018	2CSP46018	4	—	60
2CRP82418	2CPP82418	2CSP82418	8	24	—
2CRP83618	2CPP83618	2CSP83618	8	36	—
2CRP84818	2CPP84818	2CSP84818	8	—	48
2CRP86018	2CPP86018	2CSP86018	8	—	60

Series 2000 Modular Console System - NEMA 12, 4, 4X

External Components

Operator Interface Enclosure



Footrest

- Generally used in combination with plinth.
- Provides a raised foot support to relieve back stress.
- Gives the installation a "finished" appearance.
- Available in 24", 36", 48" and 60" widths.
- Maintains NEMA rating of system.
- Formed 14 gauge steel.
- Also offered with formed 14 gauge stainless steel.
- Rubber tread for added traction on footrest surface.
- Available in beige, gray and natural stainless steel.

RAL 7032 Beige Part No.	ANSI 61 Gray Part No.	Stainless Steel Part No.	B
2CRF24	2CPF24	2CSF24	24
2CRF36	2CPF36	2CSF36	36
2CRF48	2CPF48	2CSF48	48
2CRF60	2CPF60	2CSF60	60

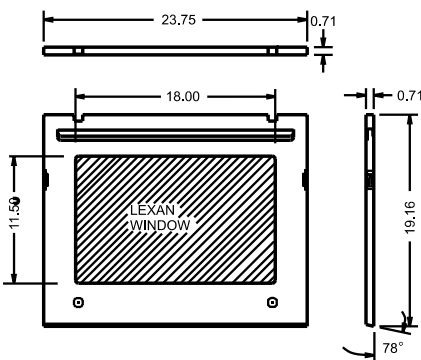


Data Terminal Extension Ring

- Formed 14 gauge steel.
- Adds 6" to Data Terminal Depth.
- Maintains NEMA rating.
- Utilizes door from Data Terminal.
- Fastens flush to back of Data Terminal.
- Available in beige, gray and natural stainless steel.

Part No.	Finish
2CRD24X	RAL 7032 Beige
2CPD24X	ANSI 61 Gray
2CSD24X	Stainless Steel

Modular Console System



Turret/Terminal Window Door

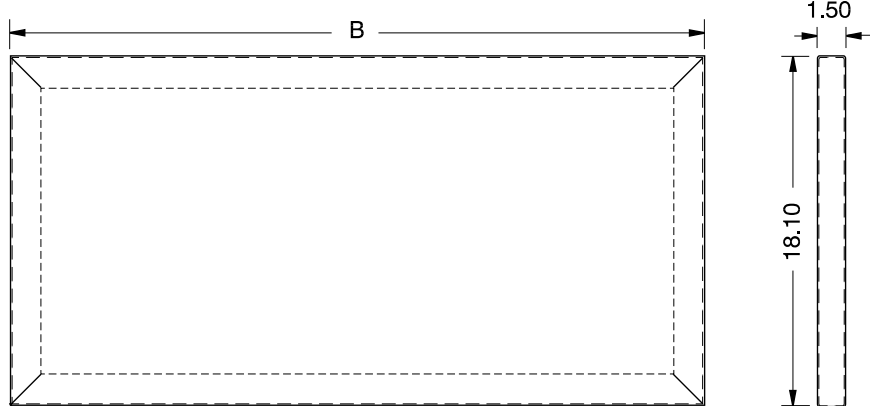
- Maintains the NEMA rating of the enclosure.
- Constructed of 14 gauge steel and lexan window.
- Easy field installation.
- Fits Standard Turret, Deep Turret, and Data Terminal.
- Offered in 24" width only.
- Available in beige, gray and stainless steel.

Part No.	Finish
2CRTW24	RAL 7032 Beige
2CPTW24	ANSI 61 Gray
2CSTW24	Stainless Steel

Series 2000 Modular Console System - NEMA 12, 4, 4X

External Components/Internal Accessories

Operator Interface Enclosure

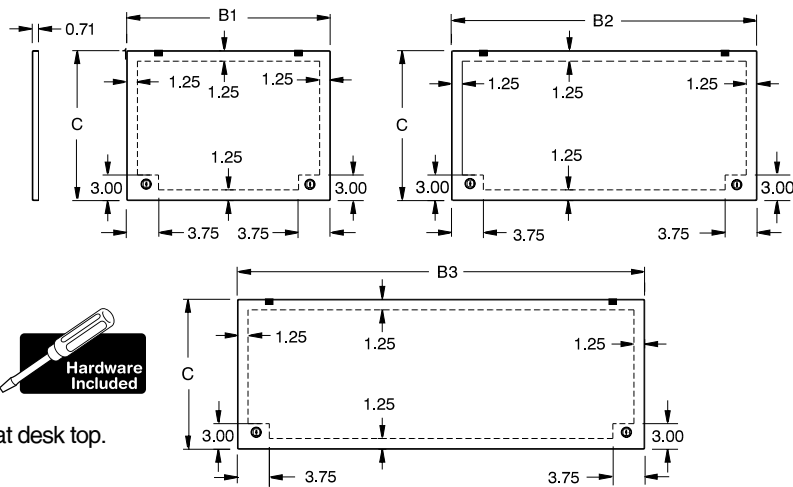


Base Cover

- Should be used to close top opening (of either single or dual access) base when no other components are mounted on the base's top.
- Constructed of 14 gauge steel.
- Available beige, gray and stainless steel.
- Can also be used on the underside of a Standard Desk Unit, Standard Turret and Data Terminal.

RAL 7032 Beige Part No.	ANSI 61 Gray Part No.	Stainless Steel Part No.	B
2CRBC2436	2CPBC2436	2CSBC2436	24
2CRBC3636	2CPBC3636	2CSBC3636	36
2CRBC4836	2CPBC4836	2CSBC4836	48
2CRBC6036	2CPBC6036	2CSBC6036	60

Modular Console System



Desk Cover

- For use when no turret is used on top of desk.
- Provides a hinged, flat, sturdy desk surface.
- Available for either Standard or Deep desks.
- Constructed of 14 gauge steel.
- Features quarter turn latches for easy access into flat desk top.
- Available in beige, gray and stainless steel.

RAL 7032 Beige Part No.	ANSI 61 Gray Part No.	Stainless Steel Part No.	B1	B2	B3	C
Standard Depth Desk Cover						
2CRDC2436	2CPDC2436	2CSDC2436	23.75	—	—	16.38
2CRDC3636	2CPDC3636	2CSDC3636	—	35.75	—	16.38
2CRDC4836	2CPDC4836	2CSDC4836	—	—	47.75	16.38
2CRDC6036	2CPDC6036	2CSDC6036	—	—	59.75	16.38
Deep Depth Desk Cover						
2CRDC2443	2CPDC2443	2CSDC2443	23.75	—	—	24.03
2CRDC3643	2CPDC3643	2CSDC3643	—	35.75	—	24.03
2CRDC4843	2CPDC4843	2CSDC4843	—	—	47.75	24.03
2CRDC6043	2CPDC6043	2CSDC6043	—	—	59.75	24.03

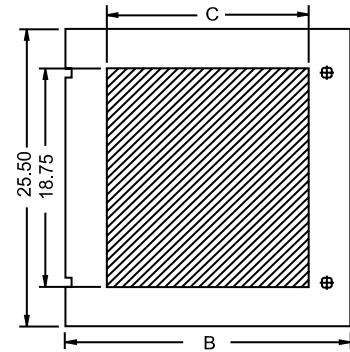
Series 2000 Modular Console System - NEMA 12, 4, 4X

External Components/Internal Accessories



Base Window Door

- Maintains the NEMA rating of the enclosure.
- Constructed of 14 gauge steel and lexan window.
- Easy field installation.
- Available for the 4 base widths.
- On 2 door units, a window can be installed on one side only.
- Available in beige, gray and stainless steel.



RAL 7032 Beige Part No.	ANSI 61 Gray Part No.	Stainless Steel Part No.	Fits Base Width	B	C
2CRBW24	2CPBW24	2CSBW24	24	23.75	16.75
2CRBW36	2CPBW36	2CSBW36	36	35.75	28.75
2CRBW48	2CPBW48	2CSBW48	48	23.75	16.75
2CRBW60	2CPBW60	2CSBW60	60	29.75	22.75



Base Panel

- 14 gauge steel panels are finished in white.
- Used in both single access and dual access bases.
- Available in 4 widths.
- Mounts into "C" Channel Mounting Kit (not included.)
- Hardware required for mounting into "C" channels is included.

Part No.	Fits Base			
	Width	Height	Width	Depth
2CWBP24	24	22.5	20	0.75
2CWBP36	36	22.5	32	0.75
2CWBP48	48	22.5	44	0.75
2CWBP60	60	22.5	56	0.75



Console Panel

- 12 gauge steel panels.
- Available in 4 widths.
- Mounts onto panel mounting studs in consolet.
- Finished in white.

Part No.	Fits Consolet Width	Height	Width	Depth
2CWCP24	24	30.5	20.5	0.75
2CWCP36	36	30.5	32.5	0.75
2CWCP48	48	30.5	44.5	0.75
2CWCP60	60	30.5	56.5	0.75



Series 2000 Modular Console System - NEMA 12, 4, 4X

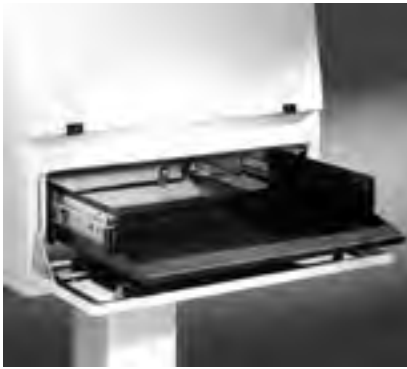
Internal Accessories

Operator Interface Enclosure

Desk Inner Panel

- 12 gauge steel panels.
- Used in both Standard and Deep desks.
- Available in 4 widths.
- Mounts horizontally onto panel mounting studs in bottom of desk.
- Finished in white.

Part No.	Fits Console Width	Height	Width	Depth
2CWDP24	24	0.5	22	16
2CWDP36	36	0.5	34	16
2CWDP48	48	0.5	46	16
2CWDP60	60	0.5	58	16



Terminal Keyboard Shelf

- Designed specifically for use in Data Terminal.
- Sloped wrist rest provides comfort for operator.
- Locks in place when extended.
- 20" width accommodates standard width keyboards.
- Finished in textured black.
- Slides included.

Part No.	Height	Width	Depth
2CWDSR	3.88	20	15.63

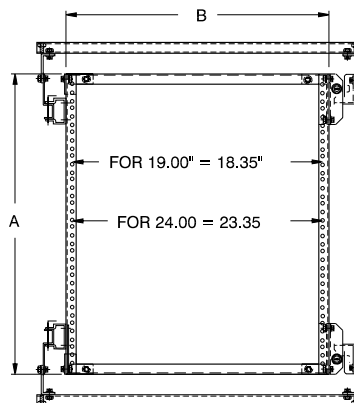


Swing Frame

- Available in 19" and 24" widths.
- Variable depth feature allows front to rear adjustment.
- Installs with either left or right hinging.
- Mounts onto Rail Support Kits (not included)...*see page 269.*
- Clip nuts required for mounting to punched rails...*see page 277.*
- Finished in textured black.



Part No.	Fits Console Unit	Fits Console Size	Panel Width	Panel Height	A	B
2CSFT19	Turrets/Terminal	24,36,48,60	19"	8U	15.75	19.28
2CSFT24	Turrets/Terminal	36,48,60	24"	8U	15.75	24.28
2CSFB19	Bases	24,36,48,60	19"	12U	22.09	19.28
2CSFB24	Bases	36,48,60	24"	12U	22.09	24.28



Modular Console System

Series 2000 Modular Console System - NEMA 12, 4, 4X

Internal Accessories

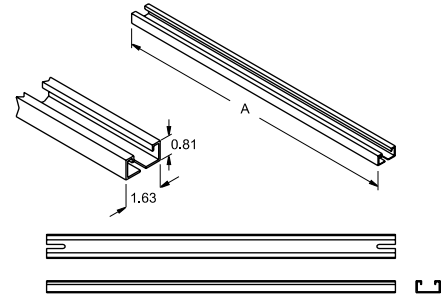
Operator Interface Enclosure



“C” Channel Mounting Kit

- For use in Turrets, Data Terminals and Bases.
- Provide adjustable (side to side) mounting support for Base Panels and all Rail Support Kits.
- Available in 4 widths.
- Finished in textured black.

Part No.	Fits Console Width	A
2CMC24	24	23.5
2CMC36	36	33.5
2CMC48	48	47.5
2CMC60	60	59.5



Rail Support Kit

- Separate kits for Standard Turret/Data Terminal, Deep Turret and Bases.
- For use with Swing Frame, CRT Mounting Kit and Combination Rails.
- Mount into "C" channels (not included - see above).
- Finished in textured black.

Part No.	Fits Console Unit
2CTRSK36	Turret/Terminal
2CTRSK43	Deep Turret
2CBRSK	Base



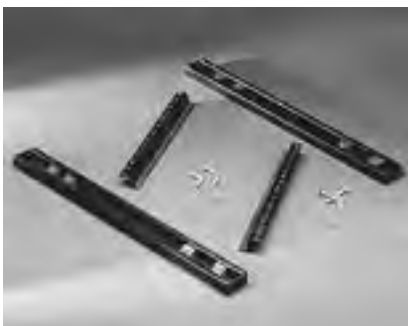
Combination Rails

- Provide standard 19"/24" mounting for electronic equipment or other console accessories.
- Features punched universal EIA spacing.
- Mounts onto Rail Support Kits (not included - see above).
- Clip nuts required for mounting to punched rails...see page 277.
- Finished in black.

Part No.	Units	Fits Console Unit
2CTRK	9	Turrets/Terminal
2CBRK	13	Base



Modular Console System



CRT Mounting Kit

- Adjustable width allows for mounting of most CRT models.
- For use in Turrets or Data Terminal.
- Mounts onto Rail Support Kits (not included - see above).
- Finished in textured black.

Part No.	2CRTK
----------	--------------

Series 2000 Modular Console System - NEMA 12, 4, 4X

Internal Accessories

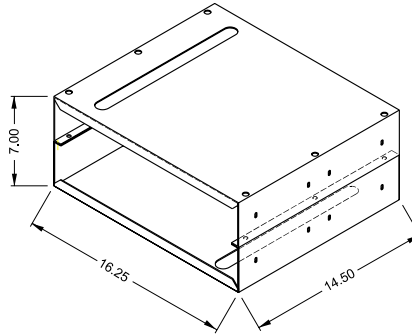
Operator Interface Enclosure



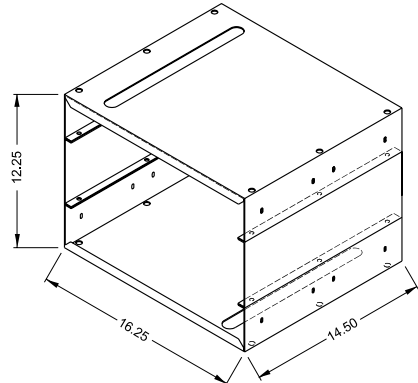
Printer and Paper Stand

- Provides convenient pullout access and support for printers in bases.
- Two versions available for high or low applications.
- Mounts onto Combination Rails (not included)...see page 269.
- Finished in textured black.
- Slides included.

Part No.	Description	Height
2CLPS	Low Printer Stand	7.00
2CHPS	High Printer Stand	12.25



Low Printer Stand



High Printer Stand

Gas Filled Door Support

- Provide "lift assist" and door support for rear Turret/Data Terminal doors and Desk lids.
- Replace standard manual door supports.
- Finished in black.
- Sold individually.
- Recommend 1 for 24"/36" and 2 for 48"/60".

Part No.	2CDSTP
----------	---------------



DIN Rail Support Kit

- Provide adjustable mounting support for DIN rails (sold separately.)
- For use in Bases only.
- Mount into "C" channels (not included)...see page 263.



Part No.	2CDMK
----------	--------------



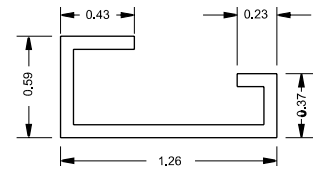
Modular Console System

Series 2000 Modular Console System - NEMA 12, 4, 4X Internal Accessories

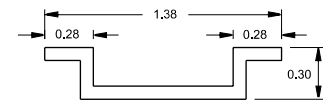


DIN Rails

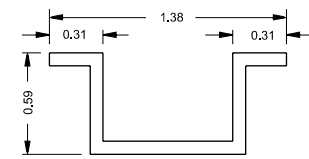
- Field installable.
- Includes a set of 3 plated rails.
- Available in 3 industry standard profiles - DIN 1, DIN 3, and CENELEC.
- DIN Rail Support Kit required...see page 270.
- Rails have a 0.28 x 1.25 oblong slot on each end.



Asymmetric DIN 1 Pro



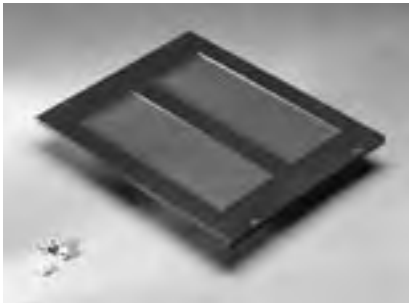
Symmetric DIN 3 Pro



CENELEC Pro

Asymmetric DIN1 Profile Part No.	Symmetric DIN 3 Profile Part No.	Cenelec Profile Part No.	Length
2D1K12	2D2K12	2DCK12	9.25
2D1K16	2D2K16	2DCK16	13.25
2D1K20	2D2K20	2DCK20	17.25
2D1K24	2D2K24	2DCK24	21.25
2D1K30	2D2K30	2DCK30	27.25

For sizing, refer to master selection table...see page 256.



Micro Cell Cable Entry Kit

- For use in Single or Dual Access Bases.
- Constructed of 14 gauge steel.
- Features 2 cutouts for cable access.
- Underside of cutouts covered with black foam rubber, which when punctured for cable access, still maintains a virtually sealed bottom.
- Finished in textured black.

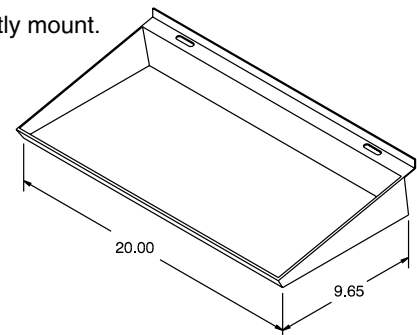
Part No. **2CMBPK**



Mobile Keyboard Support

- Installs easily at any location along front of Desks or Consolet.
- Provides auxiliary or temporary keyboard support.
- 20" width accommodates standard width keyboards.
- Finished in textured black.
- Requires two drilled holes to permanently mount.

Part No. **2CMKS24**



Series 2000 Modular Console System - NEMA 12, 4, 4X

Rack Mount Accessories

Operator Interface Enclosure



Flat Steel or Aluminum Panels

- Economical panels are made from high quality steel or aluminum.
- Mounting hardware not included, please order separately.
- Available in beige (CG2), black (BK2) or gray (GY2).
- Aluminum panels are also available unfinished (UNF).



Formed Steel Panel

- A 0.50" fold top and bottom adds strength without increasing the panel thickness.
- Mounting hardware not included, please order separately.
- Available in beige (CG2), black (BK2) or gray (GY2).



Modular Console System

No. of Slots	Panel Height Inches	Units	Flat 14 Gauge Steel (0.075")	Flat 0.125" Aluminum	Formed 16 Gauge Steel (0.060")
4	1.75	1	PBPS19001... ¹	PBPA19001... ²	PBFS19001... ¹
	3.50	2	PBPS19003...	PBPA19003...	PBFS19003...
	5.25	3	PBPS19005...	PBPA19005...	PBFS19005...
	7.00	4	PBPS19007...	PBPA19007...	PBFS19007...
8	8.75	5	PBPS19008...	PBPA19008...	PBFS19008...
	10.50	6	PBPS19010...	PBPA19010...	PBFS19010...
	12.25	7	PBPS19012...	PBPA19012...	PBFS19012...
	14.00	8	PBPS19014...	PBPA19014...	PBFS19014...
	15.75	9	PBPS19015...	PBPA19015...	PBFS19015...
	17.50	10	PBPS19017...	PBPA19017...	PBFS19017...
	19.25	11	PBPS19019...	PBPA19019...	PBFS19019...
	21.00	12	PBPS19021...	PBPA19021...	PBFS19021...
10	22.75	13	PBPS19022...	PBPA19022...	PBFS19022...
	24.50	14	PBPS19024...	PBPA19024...	PBFS19024...
	26.25	15	PBPS19026...	PBPA19026...	PBFS19026...
12	28.00	16	PBPS19028...	PBPA19028...	PBFS19028...
	29.75	17	PBPS19029...	PBPA19029...	PBFS19029...
	31.50	18	PBPS19031...	PBPA19031...	PBFS19031...

¹ Specify color code. Beige (CG2), Black (BK2) or Gray (GY2).

1 unit = 1.75"

² Specify color code. Beige (CG2), Black (BK2) Gray (GY2) or Unfinished (UNF). When unfinished, panels are paper covered on one side.

Series 2000 Modular Console System - NEMA 12, 4, 4X

Rack Mount Accessories

Operator Interface Enclosure



Panel Width Adaptors

- Used for adapting flat 19" or 23" panels for 24" rack mounting.
- Mounting hardware not included, please order separately.
- 19" sold in pairs, 23" sold individually (only 1 required).
- Available in beige or black.

Panel Height		For 14 Ga. Steel (0.075")
Inches	Units	19" Widths
1.75	1 ²	PBAS19001... ¹
3.50	2 ²	PBAS19003...
5.25	3 ²	PBAS19005...
7.00	4 ²	PBAS19007...
8.75	5 ²	PBAS19008...
10.50	6	PBAS19010...
12.25	7	PBAS19012...
14.00	8	PBAS19014...

¹Specify color code. Beige (CG2) or Black (BK2).

² 23" to 24" adaptors are available in these heights only; substitute "23" for "19" in the part no.



Storage Drawer Kit

- Complete drawer kit with slides and lock.
- Available in 3 depths.
- Rear support brackets included for all depths.
- Available in beige or black.



19" Drawer Kit Part Numbers			Panel Height	
12" Deep Drawer	16" Deep Drawer	22" Deep Drawer	Inches	Units
RDRW1900312... ¹	RDRW1900316... ¹	RDRW1900322... ¹	3.50	2
RDRW1900512...	RDRW1900516...	RDRW1900522...	5.25	3
RDRW1900712...	RDRW1900716...	RDRW1900722...	7.00	4
RDRW1900812...	RDRW1900816...	RDRW1900822...	8.75	5

¹ Specify 3 digit color code. Beige (CG1) or Black (BK1).

For 24" panel width versions, substitute "19" with "24" in the part number.

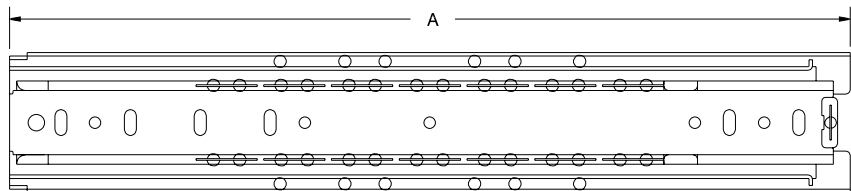
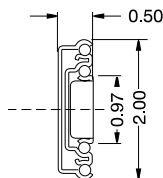
1 unit = 1.75"



Equipment Slides

- Sold in **pairs**.
- Mounts on combination rail front flange (not included).

Part No.	(A) Length	Weight
		Capacity (Pair)
RSLIDE12	12	120 lb
RSLIDE16	16	130 lb
RSLIDE22	22	120 lb



Modular Console System

Series 2000 Modular Console System - NEMA 12, 4, 4X

Rack Mount Accessories

Operator Interface Enclosure



Adjustable Support Angles

- Angles mount on accessory rails with either leg used as support depending on requirements.
- Slots allow up/down or front/back adjustments.
- Made of 14 gauge steel, with dimensions of 1.75" x 1.75".
- Finished in black (BK3).
- Mounting hardware not included, please order separately.



Part No. (Pair)	Length (Inches)
RASA12BK3	9.98
RASA16BK3	14.95
RASA22BK3	20.95



Fixed Chassis/Shelf

- Can be used as a permanently mounted support shelf between accessory rails or as a pull-out chassis.
- Accepts optional slides for pull-out application...see page 273.
- Material is 18 gauge (shelf) and 14 gauge (brackets).
- Shelf is 16.8" wide x 0.5" high.
- Refer to table at right for depth.
- Finished in white.



Part No.	Panel Width	Shelf Depth (In.)	Bracket Depth (In.)
RASC1912WH2	19	11.9	13.2
RASC1916WH2	19	15.9	14.9
RASC1922WH2	19	21.9	20.9
RASC2412WH2	24	11.9	13.2
RASC2416WH2	24	15.9	14.9
RASC2422WH2	24	21.9	20.9

Modular Console System



Equipment Shelf

- This closed utility shelf has 1.5 diameter cord access holes in each bottom corner. Fabricated from 18 gauge steel on top, bottom and sides.
- Inside dimensions are: 17.2" (wide) x 15.0" (deep).
- Height is 1" less than panel space.
- Finished in white.
- Mounting hardware not included, please order separately.



Part No.	Panel Height	
	Inches	Units
RASE1900815WH2	8.75	5
RASE1901015WH2	10.50	6
RASE1901215WH2	12.25	7

1 unit = 1.75"



Adjustable Support Bar

- This 16 gauge steel support fastens between accessory rails for support across rear of equipment.
- Minor modification required for use with tapped rails.
- Finished in black.



Part No.	Length (Inches)
RASB19BK1	19
RASB24BK1	24

Series 2000 Modular Console System - NEMA 12, 4, 4X Rack Mount Accessories



Optional Locks & Latches

- Field installable.
- Interchangeable with standard latches.
- Maintains NEMA Type 4, 4X, 12, 13 rating.

Part No.	Description
2WKL	Wing knob lock, zinc die/black
2SQI7	7mm square insert, black
2SQK7	7mm square key, fits 2SQI7
2TRI7	7mm triangle insert, black
2TRK7	7mm triangle key, fits 2TRI7
2SLI	Slotted insert, black
2QPL	Padlockable quarter turn latch, black



Series 2000 Console Casters

- Locking and non-locking versions.
- Mount directly to plinths.
- Sold in pairs to provide ability to mix locking and non-locking.
- Recommend 4 casters for 24"/36" and 6 casters for 48"/60".
- Weight capacity of 500 lbs. per pair.

Part No.	Type	No. of Casters
2CCSTL	Locking	2
2CCSTN	Non-Locking	2

Series 2000 Modular Console System - NEMA 12, 4, 4X

General Accessories

Operator Interface Enclosure



Part No.	Description
1421	pkg. of 4 screws & 4 washers

Nickel plated 10-32 x 0.63" combo slot, Phillips oval countersunk head screws with steel cup washers.



Part No.	Description
1421B	pkg. of 4 screws & 4 washers

Nickel plated 10-32 x 0.5" thumb screws with nylon washers for captivating panels up to 0.09" thick. Head is 0.62" diameter x 0.37" high.



Part No.	Description
1421A	pkg. of 4 screws & 4 washers

Nickel plated 10-32 x 0.63" combo slot, Phillips oval countersunk head screws with plastic cup washers.



Part No.	Description
1421B2	pkg. of 2 screws, nuts & 4 washers

Polished stainless steel 1/4"-20 x 0.87" thumb screws with nylon washers and steel nuts for captivating panels up to 0.4" thick. Head is 0.68" diameter x 0.25" high.

Modular Console System



Part No.	Description
1421A25B	pkg. of 25
1421A100B	pkg. of 100

Nickel plated 10-32 x 0.63" combo slot, Phillips oval countersunk head screws.



Part No.	Description
1421D	pkg. of 25 screws

Zinc plated 10-32 x 0.5" slotted pan head screws.



Part No.	Description
1421A25W	pkg. of 25
1421A100W	pkg. of 100

Black plastic cup washers for countersunk 10-32 screws.

Series 2000 Modular Console System - NEMA 12, 4, 4X

General Accessories



Part No.	Description
1421E25W	pkg. of 25
1421E100W	pkg. of 100

Nickel plated metal cup washers for countersunk 10-32 screws.



Part No.	Description
1421N25	pkg. of 25
1421N100	pkg. of 100

10-32 clip nuts for all panel rails and most other mounting positions. Has the holding strength of a standard 10-32 nut.



Part No.	Description
1421F25	pkg. of 25

Stainless steel 10-32 x 1.25" Phillips oval countersunk head (the extra length is necessary for **raised** panels).



Part No.	Description
1421NP25	pkg. of 25
1421NP100	pkg. of 100

Zinc plated 10-32 clip nuts. 10-32 clip nuts for all panel rails and most other mounting positions. Has the holding strength of a standard 10-32 nut.



Part No.	Description
1463S	pkg. of 3

$\frac{3}{8}$ "-16 spring loaded nuts and $\frac{3}{8}$ "-16 x 0.75" bolts for "C" channels.



Part No.	Description
1421S	pkg. of 4

$\frac{1}{4}$ "-20 spring loaded nuts and $\frac{1}{4}$ "-20 x 0.62" round head bolts for "C" channels.



Part No.	Description
1421K25	pkg. of 25 screws & nuts
1421K100	pkg. of 100 screws & nuts

Zinc plated $\frac{1}{4}$ "-20 x 0.5" slotted round head screws with captive star washer nuts. Supplied with all panel rails and racks.