

Series 2000- NEMA 4 Single Door Enclosures



Industrial Enclosures
Wallmount Enclosures

**Order
Panel
Separately**



Application

- Designed to enclose electrical and/or electronic equipment and protect against harsh, industrial environments for wallmount applications.
- Provides protection where equipment may be hosed down or otherwise be very wet, or in outdoor applications for full weather protection.
- Attractive design offers high tech styling and convenient user features.
- For high temperature applications, a gasket retainer may be required, please refer to factory.

Standards

- UL 508 Type 3R, 4, and 12
- CSA Type 3R, 4 and 12
- **Complies with**
 - NEMA Type 3R, 4, 12 and 13
 - IEC 529, IP66

Construction

- Formed 14 gauge steel bodies with 14 gauge steel doors.
- Smooth, continuously welded seams without knockouts, cutouts or holes.
- Body stiffeners are provided where required for increased strength and rigidity.
- Door profiles provide increased strength and are pre-punched to provide mounting options.
- Formed lip on door and enclosure exclude flowing liquids and contaminants.
- Doors may be easily removed, reversed or interchanged.
- Slotted quarter turn oil-tight latches secure the door, with optional tamper resistant and locking latches available.
- Steel hinges are painted black.
- Oil resistant gaskets are permanently secured.
- Compression stops ensure optimum gasket performance.
- Collar studs are provided for mounting inner panels and accessories.
- A bonding screw is provided on the door and a grounding stud is provided in the enclosure.
- A literature pocket is provided for the inside of the door except as noted.¹

Finish

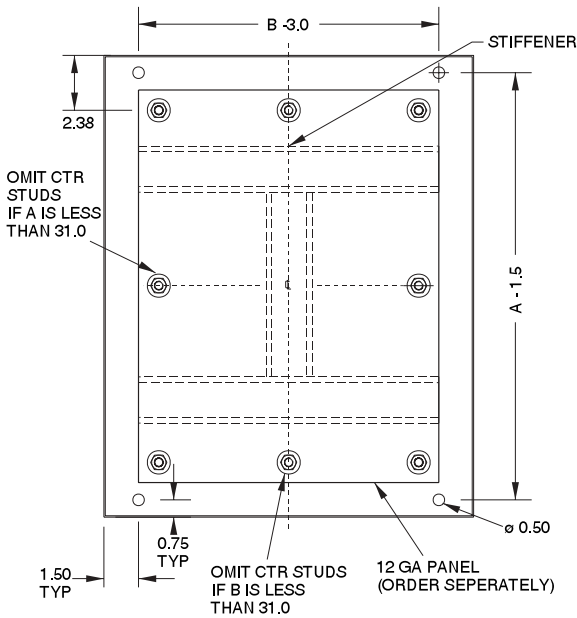
- Cover and enclosure are finished in recoatable smooth ANSI/ASA 61 gray powder coating.
- Optional steel inner panels are finished in white powder coating.

Accessories

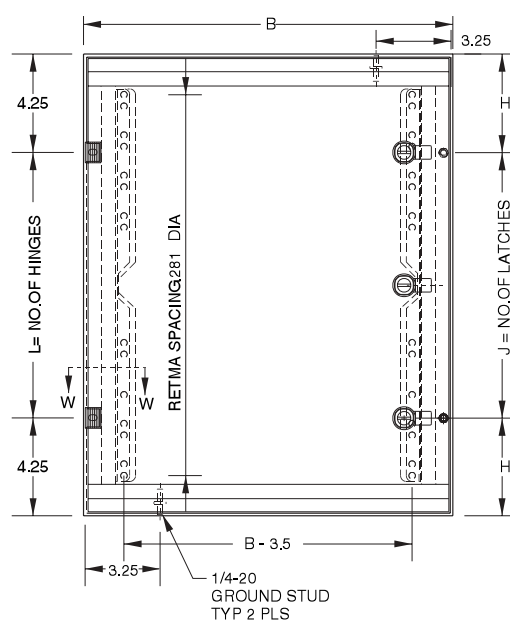
- Air conditioners...see page [348-357](#)
- Blowers...see page [359](#)
- Breather kits...see page [374](#)
- Depth extension ring kit...see page [42](#)
- DIN rails...see page [44](#)
- DIN rail mounting kit...see page [44](#)
- Filter fans...see page [360-367](#)
- Fixed rack mounting kits...see page [44](#)
- Floor stand kits...see page [394](#)
- Heaters...see page [369-371](#)
- Inner panels...see page [42](#)
- Locking handles...see page [45](#)
- Louvered ventilating plates...see page [396](#)
- Mounting foot kits...see page [45](#)
- Quarter turn inserts & keys...see page [45](#)
- Replacement quarter turn assemblies...see page [45](#)
- Swing frames...see page [43](#)
- Swing panels...see page [43](#)
- Terminal kit assemblies...see page [386](#)
- Thermostats...see page [374](#)
- Window doors...see page [42](#)
- Padlock Adapter (EPA)...see page [382](#)

Series 2000 - NEMA 4 Single Door Enclosures

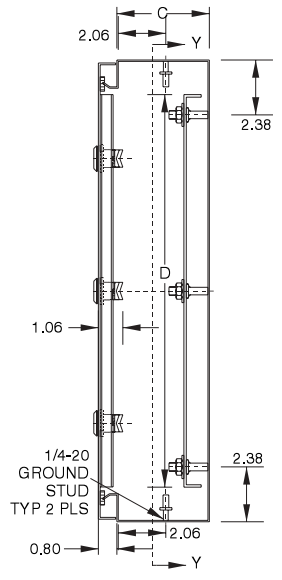
Industrial Enclosures
Wallmount Enclosures



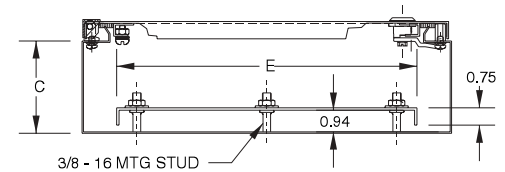
Section Y-Y



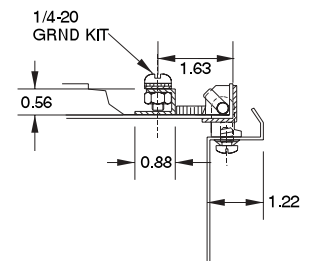
Front View



Side View



Top View



**Hinge Detail
(Section W-W)**

(Shown with door open 180°)

Enclosure Part No.	A	B	C	Opt. Panel Part No.	Panel Dim. D	E	H	J	L	Ship Wt. lbs
2P12126 ¹	12	12	6	18P0909	9	9	—	1	2	14
2P16126 ¹	16	12	6	18P1309	13	9	—	1	2	17
2P16166	16	16	6	18P1313	13	13	—	1	2	21
2P20166	20	16	6	18P1713	17	13	—	1	2	25
2P20206	20	20	6	18P1717	17	17	—	1	2	28
2P20168	20	16	8	18P1713	17	13	—	1	2	27
2P24168	24	16	8	18P2113	21	13	—	1	2	30
2P16208	16	20	8	18P1713	13	17	—	1	2	26
2P20208	20	20	8	18P1717	17	17	—	1	2	32
2P24208	24	20	8	18P2117	21	17	—	1	2	35
2P30208	30	20	8	18P2717	27	17	4.25	2	3	44
2P20248	20	24	8	18P2117	17	21	—	1	2	36
2P24248	24	24	8	18P2121	21	21	4.25	2	2	46
2P30248	30	24	8	18P2721	27	21	4.25	2	3	56
2P36248	36	24	8	18P3321	33	21	4.25	2	3	64
2P30308	30	30	8	18P2727	27	27	4.25	2	3	74
2P36308	36	30	8	18P3327	33	27	4.25	2	3	91
2P242412	24	24	12	18P2121	21	21	4.25	2	2	53
2P302412	30	24	12	18P2721	27	21	4.25	2	3	69
2P482412	48	24	12	18P4521	45	21	6.00	3	4	130
2P363012	36	30	12	18P3327	33	27	4.25	2	3	98
2P423612	42	36	12	18P3933	39	33	6.00	3	4	135
2P483612	48	36	12	18P4533	45	33	6.00	3	4	147
2P242416	24	24	16	18P2121	21	21	4.25	2	2	75
2P363016	36	30	16	18P3327	33	27	4.25	2	3	117
2P483616	48	36	16	18P4533	45	33	6.00	3	4	158

¹ Less literature pocket