

Series 2000 304 Stainless Steel - NEMA 4X Single Door Enclosures



Order
Panel
Separately



Corrosion Resistant Enclosures
Wallmount Enclosures

Application

- Designed to enclose electrical and/or electronic equipment and protect against harsh, industrial environments for wallmount applications.
- Provides protection where equipment may be exposed to large amounts of water, or where highly corrosive conditions exist.
- Attractive design provides high tech styling and convenient user features.
- For high temperature applications, a gasket retainer may be required, please refer to factory.

Standards

- UL 508 Type 3R, 4, 4X, and 12
- CSA Type 3R, 4, 4X and 12
- **Complies with**
 - NEMA Type 3R, 4, 4X, 12 and 13
 - IEC 529, IP66

Construction

- Formed 14 gauge type 304 stainless steel bodies, with 14 gauge stainless steel doors.
- Smooth, continuously welded seams without knockouts, cutouts or holes.
- Body stiffeners are provided where required for increased strength and rigidity.

- Door profiles provide increased strength and are pre-punched to provide mounting options.
- Formed lip on door and enclosure exclude flowing liquids and contaminants.
- Doors may be easily removed, reversed or interchanged.
- Stainless steel slotted quarter turn oil-tight latches secure the door, with optional tamper resistant and locking latches available.
- Oil resistant gaskets are permanently secured.
- Compression stops ensure optimum gasket performance.
- Collar studs are provided for mounting inner panels and accessories.
- Standard hinge pins are easily removed to allow doors to be removed or reversed.
- A bonding screw is provided on the door and a grounding stud is provided in the enclosure.
- Hinges are 304 stainless steel.
- A literature pocket is supplied for the inside of the door.

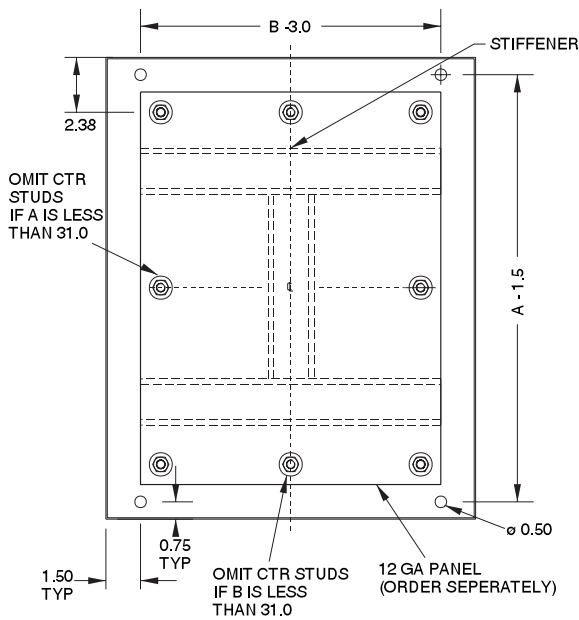
Finish

- Cover and enclosure are natural stainless steel with a smooth brushed finish.
- Optional inner panel is finished in white powder coating.

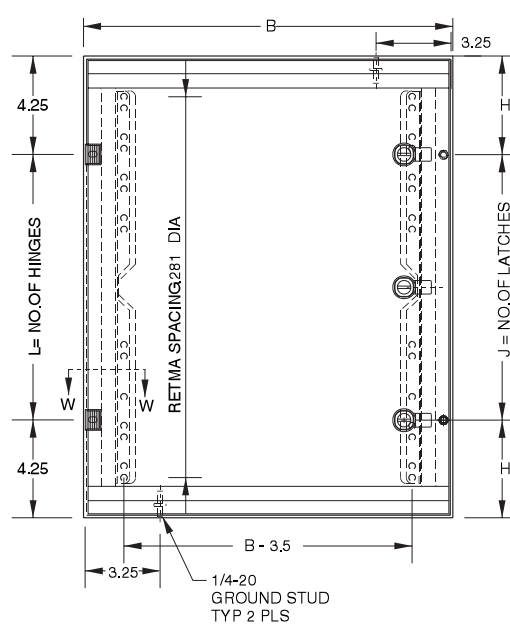
Accessories

- Air conditioners...see page **348-357**
- Blowers...see page **359**
- Breather kits...see page **374**
- DIN rails...see page **100**
- DIN rail mounting kit...see page **100**
- Filter fans...see page **360-367**
- Fixed rack mounting kits...see page **100**
- Floor stand kits...see page **394**
- Heaters...see page **369-371**
- Inner panels...see page **98**
- Locking handles...see page **101**
- Louvered ventilating plates...see page **396**
- Mounting foot kits...see page **98**
- Quarter turn inserts and keys...see page **101**
- Replacement quarter turn assemblies...see page **101**
- Swing frames...see page **99**
- Swing panels...see page **99**
- Terminal kit assemblies...see page **386**
- Thermostats...see page **374**
- Window doors...see page **98**
- Padlock Adaptor (EPA)...see page **382**

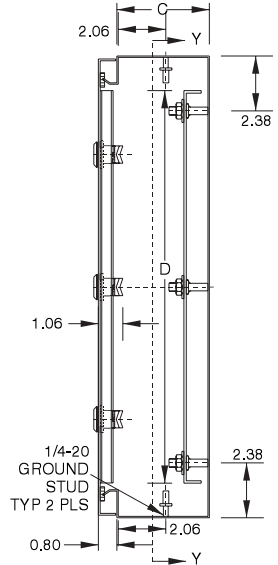
Series 2000 304 Stainless Steel - NEMA 4X Single Door Enclosures



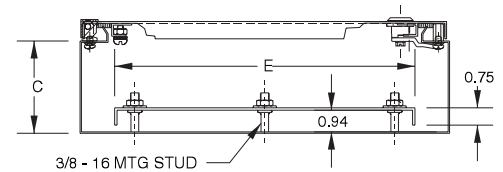
Section Y-Y



Front View



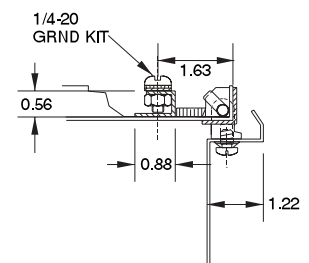
Side View



Top View

Part No.	A	B	C	Optional Panel Size		H	J	L	Ship Wt. lbs
				Optional Panel Part No.	D E				
2S12126 ¹	12	12	6	18P0909	9 9	—	1	2	14
2S16126 ¹	16	12	6	18P1309	13 9	—	1	2	17
2S16166	16	16	6	18P1313	13 13	—	1	2	21
2S20168	20	16	8	18P1713	17 13	—	1	2	27
2S24168	24	16	8	18P2113	21 13	—	1	2	30
2S20208	20	20	8	18P1717	17 17	—	1	2	32
2S24208	24	20	8	18P2117	21 17	—	1	2	35
2S20248	20	24	8	18P2117	17 21	—	1	2	36
2S24248	24	24	8	18P2121	21 21	4.25	2	2	46
2S30248	30	24	8	18P2721	27 21	4.25	2	3	56
2S36248	36	24	8	18P3321	33 21	4.25	2	3	64
2S30308	30	30	8	18P2727	27 27	4.25	2	3	74
2S36308	36	30	8	18P3327	33 27	4.25	2	3	91
2S423612	42	36	12	18P3933	39 33	6.00	3	4	135
2S483612	48	36	12	18P4533	45 33	6.00	3	4	147

¹ Less literature pocket



**Hinge Detail
(Section W-W)**

(Shown with door open 180°)

Corrosion Resistant Enclosures
Wallmount Enclosures