

Splitter Boxes

NEMA 1



Commercial Enclosures



Application

- The splitter boxes are designed for indoor distribution of up to 600 V (max) service using either 3 or 4 wires.

Construction

- Formed and spot welded from 14 or 16 gauge steel.
- Factory installed splitter blocks.
- Series of knockouts on each side.
- Padlocking hasp.

Finish

- Enclosure and cover are finished in ANSI 61 gray powder coating.

Standards

- CSA Certified
- **Complies with**
 - IEC 60529, IP20

Splitter Boxes

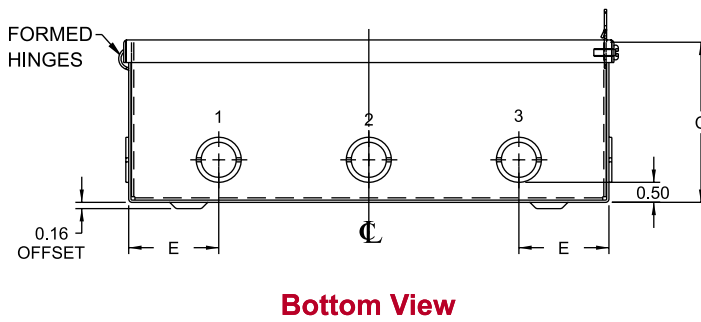
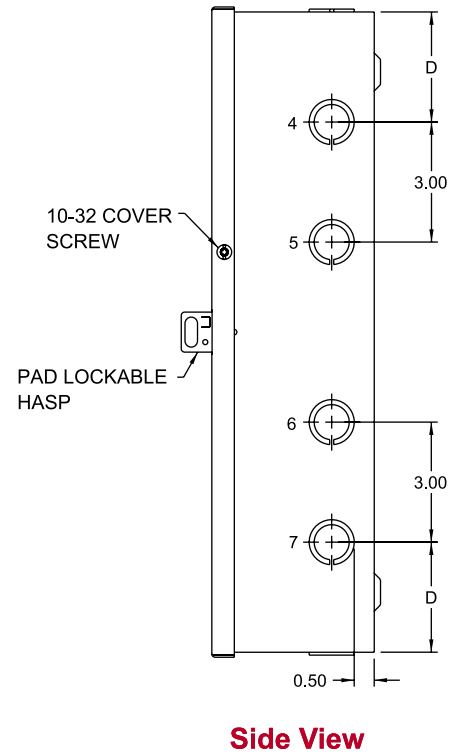
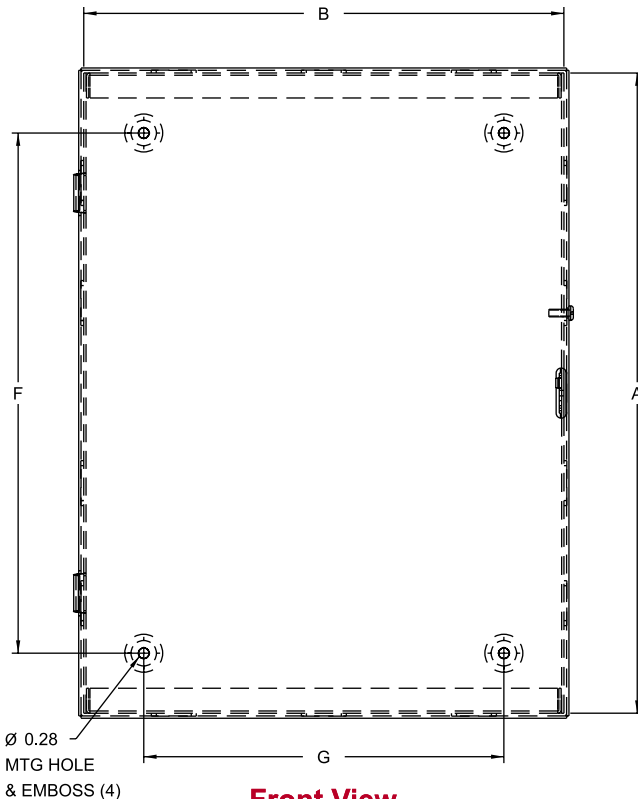
Part Number		CU/AL	Dimensions			Ship Wt.
3 Wire	4 Wire	Amps	H	W	D	lbs
CSB73	CSB74	70/70	12	10	4	9
CSB103	CSB104	125/120	15	10	4	10
CSB203	CSB204	225/225	18	12	5	16
CSB403	CSB404	400/340	24	17	6	37
CSB603*	CSB604*	600/574	30	24	7	63

* 14 gauge steel

NOTE: Boxes without splitter blocks installed also available.

Splitter Boxes

NEMA 1



NOTE: KNOCKOUTS TYPICAL ON OPPOSITE SIDES

Commercial Enclosures

Splitter Boxes

Part Number		Optional Grounding Kit	CU/AL Amps	Dimensions			Conduit Size (Location)						
3 Wire	4 Wire			A	B	C	D	E	F	G	1/2"-3/4"	3/4"-1"	2"-2 1/2"
CSB73	CSB74	CGK125	70/70	12	10	4	2.75	2.25	9.00	7.00	1,3,7	2,4	-
CSB103	CSB104	CGK125	125/120	15	10	4	2.75	2.25	12.00	7.00	1,3,7	2,4	-
CSB203	CSB204	CGK225	225/225	18	12	5	3.00	3.50	15.00	9.00	1,3,7	4	1,3
CSB403	CSB404	CGK400	400/340	24	17	6	3.31	4.88	21.00	14.00	-	-	-
CSB603*	CSB604*	CGK600	600/574	30	24	7	4.00	5.00	27.00	21.00	-	-	-

* 14 gauge steel

Splitter Boxes

NEMA 3R, 12, 4



**Inner
Panel
Included**



Commercial Enclosures

Application

- The splitter boxes are designed for distribution of up to 600 V (max) service using either 3 or 4 wires.

Standards

- CSA Certified Type 3R, 12, 4
- **Complies with**
 - IEC 60529, IP66

Construction

- Formed 14 and 16 gauge steel.
- Factory installed splitter blocks.
- Smooth, continuously welded seams ground smooth.
- Door stiffeners are provided where required for increased strength and rigidity - designed to also permit additional mounting options.
- Formed lip on enclosure to exclude flowing liquids and contaminants.
- Door latches feature the added safety of quarter turn slot requiring use of tool for opening.
- Doors may be easily removed for modifications and are interchangeable.
- Oil resistant gaskets are permanently secured.
- Collar studs provided for mounting inner panel.
- Includes hardware kit with panel mounting nuts and sealing washers for wall mounting holes.
- Hinges are constructed from 304 stainless steel.
- Hinge pins are stainless steel.
- Inner panel is included.

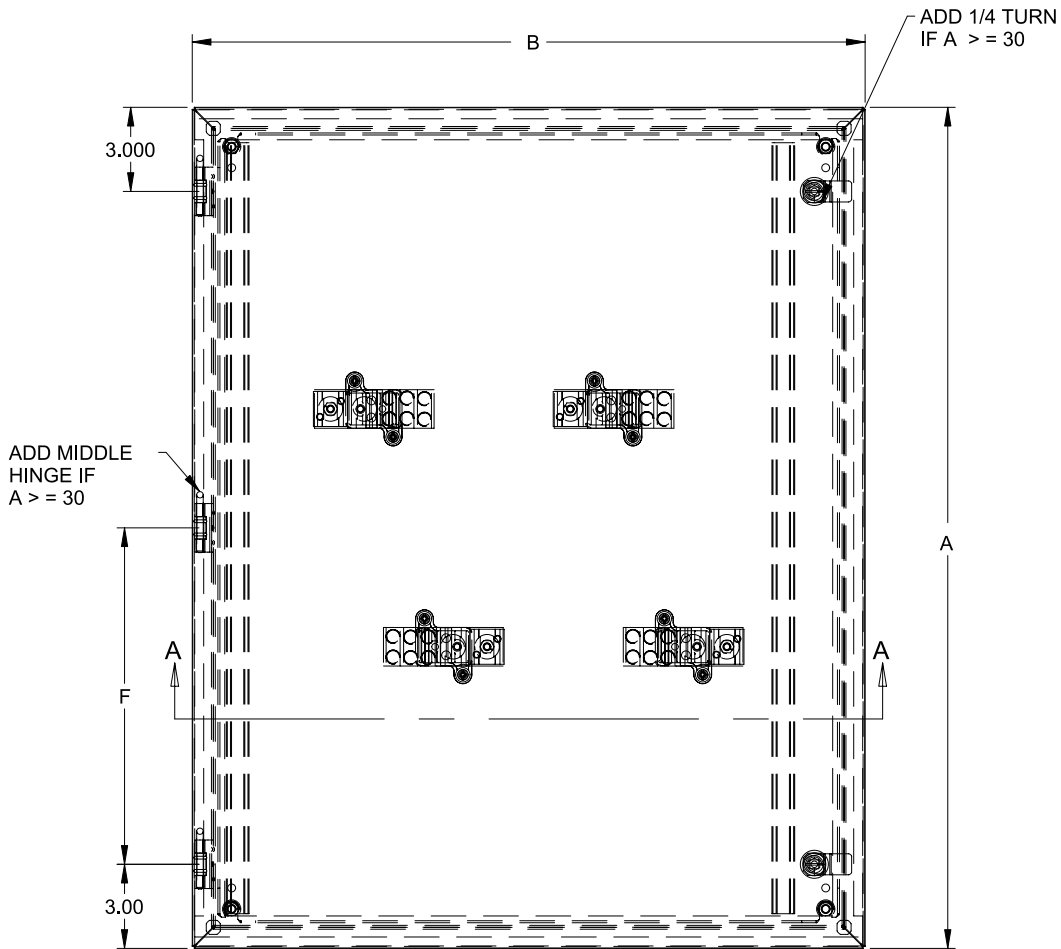
Finish

- Cover and enclosure are finished in recoatable smooth ANSI 61 gray powder coating.
- Inner panel is finished in white powder coating.

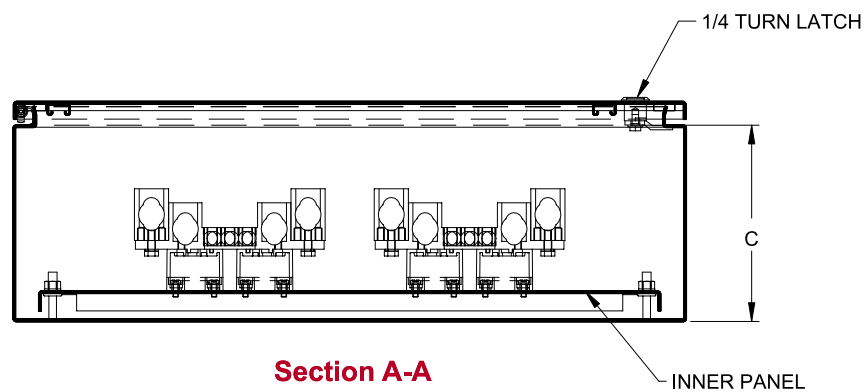
Splitter Boxes

Splitter Boxes

NEMA 3R, 12, 4



Front View



Section A-A

Part Number		Door/Body Gauge	Optional Grounding Kit	CU/AL Amps	Dimensions						# of Latches	# of Hinges
3 Wire	4 Wire				A	B	C	D	E	F		
CN4SB73	CN4SB74	16	CGK125	70/70	12	10	5	10.17	8.17	N/A	1	2
CN4SB103	CN4SB104	16	CGK125	125/120	15	10	5	13.17	8.17	N/A	1	2
CN4SB203	CN4SB204	16	CGK225	225/225	18	12	5	16.17	10.17	N/A	1	2
CN4SB403	CN4SB404	16	CGK400	400/340	24	17	6	22.17	15.17	N/A	1	2
CN4SB603	CN4SB604	14	CGK600	600/574	30	24	7	28.17	22.17	12.00	2	3

* 14 gauge steel

Splitter Troughs

NEMA 1



Commercial Enclosures

Application

- The splitter boxes are designed for distribution of up to 600 V (max) service using either 3 or 4 wires.

Standards

- CSA Certified
- **Complies with**
 - IEC 60529, IP20

Construction

- Formed 14 and 16 gauge steel.
- Smooth, continuously welded seams ground smooth.
- Door stiffeners are provided where required for increased strength and rigidity - designed to also permit additional mounting options.
- Formed lip on enclosure to exclude flowing liquids and contaminants.
- Doors may be easily removed for modifications and are interchangeable.
- Hinges are constructed from 304 stainless steel.
- Hinge pins are stainless steel.

Finish

- Cover and enclosure are finished in recoatable smooth ANSI 61 gray powder coating.

Part Number		CU/AL Amps	Dimensions			Ship Wt.lbs
3 Wire	4 Wire		H	W	D	
CST273	CST274	70/70	24	6	4	12
CST373	CST374	70/70	36	6	4	17
CST473	CST474	70/70	48	6	4	21
CST2103	CST2104	125/120	24	6	4	12
CST3103	CST3104	125/120	36	6	4	17
CST4103	CST4104	125/120	48	6	4	21
CST6103*	CST6104*	125/120	72	8	5	39
CST2203*	-	225/225	24	8	5	16
CST3203*	CST3204*	225/225	36	8	5	22
CST4203*	CST4204*	225/225	48	8	5	27
CST5203*	CST5204*	225/225	60	8	5	33
CST6203*	CST6204*	225/225	72	8	5	39
CST3403*	-	400/340	36	10	6	35
CST4403*	CST4404*	400/340	48	10	6	45
CST5403*	CST5404*	400/340	60	10	6	58
CST6403*	CST6404*	400/340	72	10	6	62
CST4603*	CST4604*	600/574	48	10	6	45
CST5603*	CST5604*	600/574	60	10	6	58
CST6603*	CST6604*	600/574	72	10	6	62

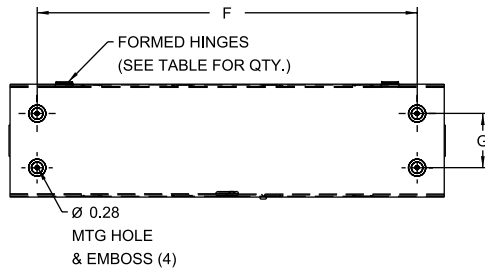
* 14 gauge steel

NOTE: Trough without blocks installed also available.

Splitter Trough

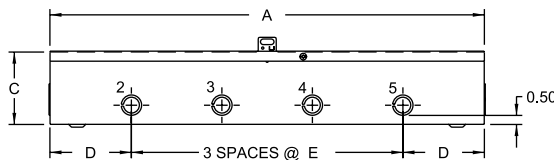
Splitter Troughs

NEMA 1

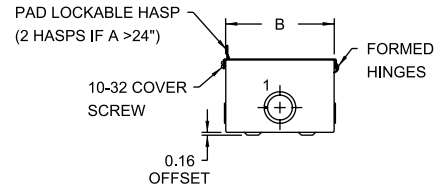


Top View

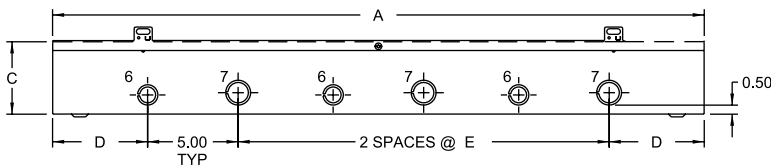
NOTE: KNOCKOUTS TYPICAL ON OPPOSITE SIDES



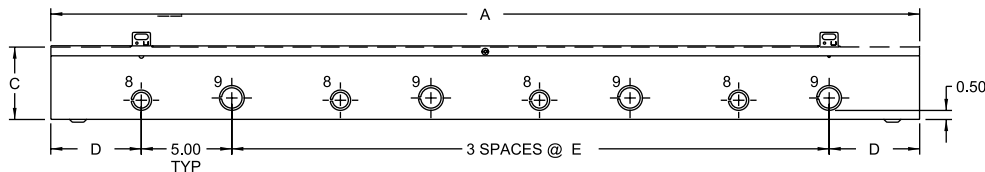
Detail - F



End View



Detail - G



Detail - H

Commercial Enclosures

Splitter Trough

Part Number		Optional Grounding Kit	CU/AL Amps	Dimensions							Conduit Size (Location)					
3 Wire	4 Wire			A	B	C	D	E	F	G	Detail	1/2"-3/4"	3/4"-1"	1"-1 1/4"	2"-2 1/2"	
CST273	CST274	CGK225	70/70	24	6	4	4.50	5.00	21.00	3.00	F	2,3,4,5	-	1	-	
CST373	CST374	CGK225	70/70	36	6	4	7.50	7.00	33.00	3.00	F	2,3,4,5	-	1	-	
CST473	CST474	CGK225	70/70	48	6	4	7.50	11.00	45.00	3.00	F	2,3,4,5	-	1	-	
CST2103	CST2104	CGK225	125/120	24	6	4	4.50	5.00	21.00	3.00	F	2,3,4,5	-	1	-	
CST3103	CST3104	CGK225	125/120	36	6	4	7.50	7.00	33.00	3.00	F	2,3,4,5	-	1	-	
CST4103	CST4104	CGK225	125/120	48	6	4	7.50	11.00	45.00	3.00	F	2,3,4,5	-	1	-	
CST6103*	CST6104*	CGK225	125/120	72	8	5	5.25	10.25	69.00	5.00	H	8	9	1	-	
CST2203*	-	CGK225	225/225	24	8	5	4.50	5.00	21.00	5.00	F	2,4	3,5	-	1	
CST3203*	CST3204*	CGK225	225/225	36	8	5	5.25	10.25	33.00	5.00	G	6	7	-	1	
CST4203*	CST4204*	CGK225	225/225	48	8	5	5.00	11.00	45.00	5.00	H	8	9	-	1	
CST5203*	CST5204*	CGK225	225/225	60	8	5	5.00	15.00	57.00	5.00	H	8	9	-	1	
CST6203*	CST6204*	CGK225	225/225	72	8	5	5.00	19.00	69.00	5.00	H	8	9	-	1	
CST3403*	-	CGK400	400/340	36	10	6	5.25	10.25	33.00	7.00	G	6	7	-	-	
CST4403*	CST4404*	CGK400	400/340	48	10	6	5.00	11.00	45.00	7.00	H	8	9	-	-	
CST5403*	CST5404*	CGK400	400/340	60	10	6	5.00	15.00	57.00	7.00	H	8	9	-	-	
CST6403*	CST6404*	CGK400	400/340	72	10	6	5.00	19.00	69.00	7.00	H	8	9	-	-	
CST4603*	CST4604*	CGK400	600/574	48	10	6	5.00	11.00	45.00	7.00	H	8	9	-	-	
CST5603*	CST5604*	CGK400	600/574	60	10	6	5.00	15.00	57.00	7.00	H	8	9	-	-	
CST6603*	CST6604*	CGK400	600/574	72	10	6	5.00	19.00	69.00	7.00	H	8	9	-	-	

* 14 gauge steel

Splitter Troughs

NEMA 3R, 12, 4



**Inner
Panel
Included**



Commercial Enclosures

Application

- The splitter boxes are designed for distribution of up to 600 V (max) service using either 3 or 4 wires.

Standards

- CSA Certified Type 3R, 12, 4
- **Complies with**
 - IEC 60529, IP66

Construction

- Formed 14 and 16 gauge steel.
- Factory installed splitter blocks.
- Smooth, continuously welded seams ground smooth.
- Door stiffeners are provided where required for increased strength and rigidity - designed to also permit additional mounting options.
- Formed lip on enclosure to exclude flowing liquids and contaminants.
- Door latches feature the added safety of quarter turn slot requiring use of tool for opening.
- Doors may be easily removed for modifications and are interchangeable.
- Oil resistant gaskets are permanently secured.
- Collar studs provided for mounting inner panel.
- Includes hardware kit with panel mounting nuts and sealing washers for wall mounting holes.
- Hinges are constructed from 304 stainless steel.
- Hinge pins are stainless steel.
- Inner panel is included.

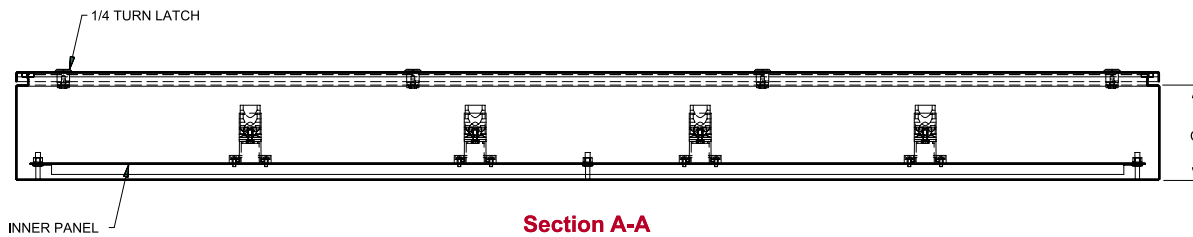
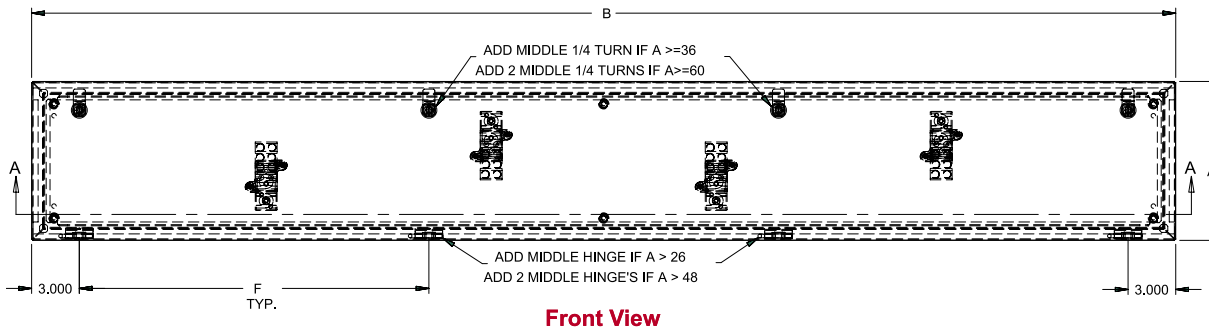
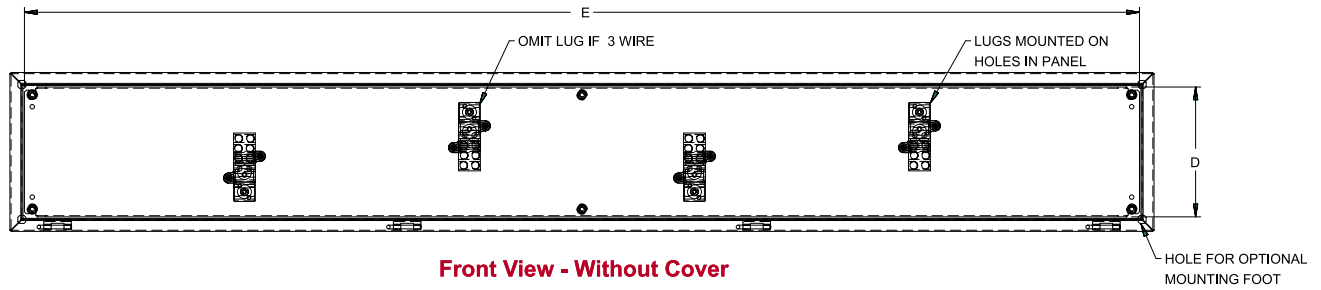
Finish

- Cover and enclosure are finished in recoatable smooth ANSI 61 gray powder coating.
- Inner panel is finished in white powder coating.

Splitter Trough

Splitter Troughs

NEMA 3R, 12, 4



Commercial Enclosures

Part Number		Gauge	Optional Grounding Kit	CU/AL Amps	Dimensions			D	E	F	# Latches	# Hinges
3 Wire	4 Wire				A	B	C					
CN4ST273	CN4ST274	16	CGK225	70/70	24	6	5	22.17	4.17	N/A	2	2
CN4ST373	CN4ST374	16	CGK225	70/70	36	6	5	34.17	4.17	15	2	3
CN4ST473	CN4ST474	16	CGK225	70/70	48	6	5	46.17	4.17	15	3	3
CN4ST2103	CN4ST2104	16	CGK225	125/120	24	6	5	22.17	4.17	N/A	2	2
CN4ST3103	CN4ST3104	16	CGK225	125/120	36	6	5	34.17	4.17	15	2	3
CN4ST4103	CN4ST4104	16	CGK225	125/120	48	6	5	46.17	4.17	21	3	3
CN4ST6103	CN4ST6104	14	CGK225	125/120	72	8	6	70.17	6.17	21	4	4
CN4ST2203	-	14	CGK225	225/225	24	8	5	22.17	6.17	N/A	2	2
CN4ST3203	CN4ST3204	14	CGK225	225/225	36	8	6	34.17	6.17	15	2	3
CN4ST4203	CN4ST4204	14	CGK225	225/225	48	8	6	46.17	6.17	21	3	3
CN4ST5203	CN4ST5204	14	CGK225	225/225	60	8	6	58.17	6.17	18	4	4
CN4ST6203	CN4ST6204	14	CGK225	225/225	72	8	6	70.17	6.17	22	4	4
CN4ST3403	-	14	CGK400	400/340	36	10	6	34.17	8.17	15	2	3
CN4ST4403	CN4ST4404	14	CGK400	400/340	48	10	6	46.17	8.17	21	3	3
CN4ST5403	CN4ST5404	14	CGK400	400/340	60	10	6	58.17	8.17	21	4	4
CN4ST6403	CN4ST6404	14	CGK400	400/340	72	10	6	70.17	8.17	22	4	4
CN4ST4603	CN4ST4604	14	CGK400	600/574	48	10	6	46.17	8.17	21	3	3
CN4ST5603	CN4ST5604	14	CGK400	600/574	60	10	6	58.17	8.17	18	4	4
CN4ST6603	CN4ST6604	14	CGK400	600/574	72	10	6	70.17	8.17	22	4	4

Splitter Trough

Splitter Blocks



Commercial Enclosures

Application

- These blocks are used in Hammond standard splitter troughs and boxes.
- The design includes the main and branch lugs which can use either copper or aluminum conductors.
- All blocks are rated 600 V.

Standards

- CSA Certified

Construction

- Cu-Al monopiece connectors are secured to insulators.
- Each block includes a main lug and branch lugs.



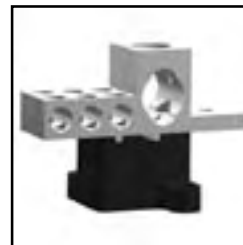
CSBL125B



CSBL125T



CSBL225



CSBL400



CSBL600

Splitter Boxes

Part No.	Main Lug Ampacity	Max./Min. Wire Capacity	Branch Lugs Ampacity	Max./Min. Wire Capacity	Ship Wt lbs
CSBL125B	125	1/0 - 14	3/70	3 x (2-14)	1
CSBL125T	125	1/0 - 14	6/70	6 x (2-14)	1
CSBL225	225	300MCM - 6	6/125	6 x (2/0-14)	1
CSBL400	400	600MCM - 4 or 2 (x) 250 MCM - 1/0	6/200	6 x (3/0 - 14)	1
CSBL600	600	(2x) 600MCM - 4 or (4x) 250MCM - 1/0	6/200	6 x (3/0-14)	1



Application

- Designed for use with aluminum and copper conductors.

Standards

- CSA Certified

Construction

- Lugs are constructed from high strength, high conductive aluminum alloy 6061-T6, rated at 90°C
- Kits are supplied with all necessary mounting hardware.



CGK125



CGK225



CGK400



CGK600



CGK

Part No.	Application	Number of Circuits and Wire Sizes
CGK125	Splitter Box 70 A, 125 A	4 x (2-14 CU-AL)
CGK225	Splitter Box 225 A/Trough 70 A, 125A, 225 A	7 x (2-14 CU-AL)
CGK400	Splitter Box/Trough 400 A	7 x (2-14 CU-AL) & 1 x (1/0-14 CU-AL)
CGK600	Splitter Box/Trough 600 A	7 x (2-14 CU-AL) & 1 x (300 MCM - 6 CU-AL)
CGK	Junction/Pull Box	3 x (4-14 CU-AL)