

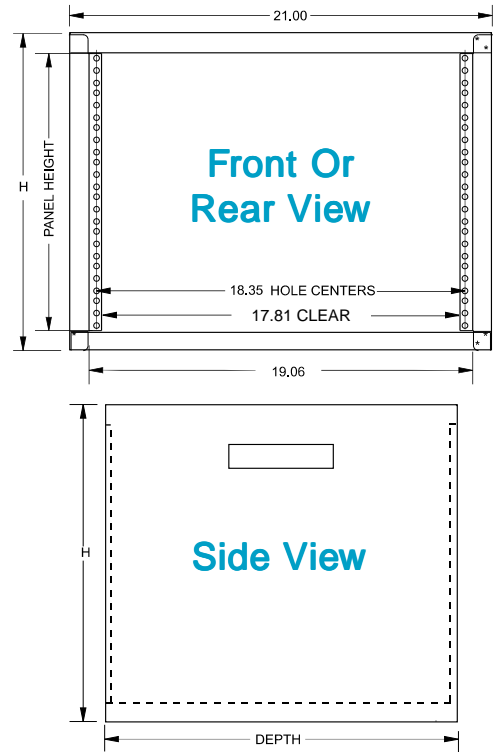
Light Duty (RCBS Series)

Table Top



FEATURES

- Front and rear recessed flange, punched for 10-32 clip nuts on EIA universal spacing (5/8 - 5/8 - 1/2 inch)
- Welded, 16-gauge steel, economy 19" table top rack
- Recommended maximum weight (RCBS1901417 tested) - 600 pounds
- Includes rubber feet, two lifting handles and 10-32 clip nuts
- Tough powder finish paint



13" Deep

Part Number			Panel Height		Overall Dimensions			# of Clip Nuts
Black Textured	Beige Textured	ASA61 Grey Smooth	Inches	Units	Height	Width	Depth	
RCBS1900313BK1	RCBS1900313CG1	RCBS1900313GY2	3.50	2	5.50	21.00	13.0	8
RCBS1900513BK1	RCBS1900513CG1	RCBS1900513GY2	5.25	3	7.25	21.00	13.0	8
RCBS1900713BK1	RCBS1900713CG1	RCBS1900713GY2	7.00	4	9.00	21.00	13.0	8
RCBS1900813BK1	RCBS1900813CG1	RCBS1900813GY2	8.75	5	10.75	21.00	13.0	16
RCBS1901013BK1	RCBS1901013CG1	RCBS1901013GY2	10.50	6	12.50	21.00	13.0	16
RCBS1901213BK1	RCBS1901213CG1	RCBS1901213GY2	12.25	7	14.25	21.00	13.0	16
RCBS1901413BK1	RCBS1901413CG1	RCBS1901413GY2	14.00	8	16.00	21.00	13.0	16

17.5" Deep

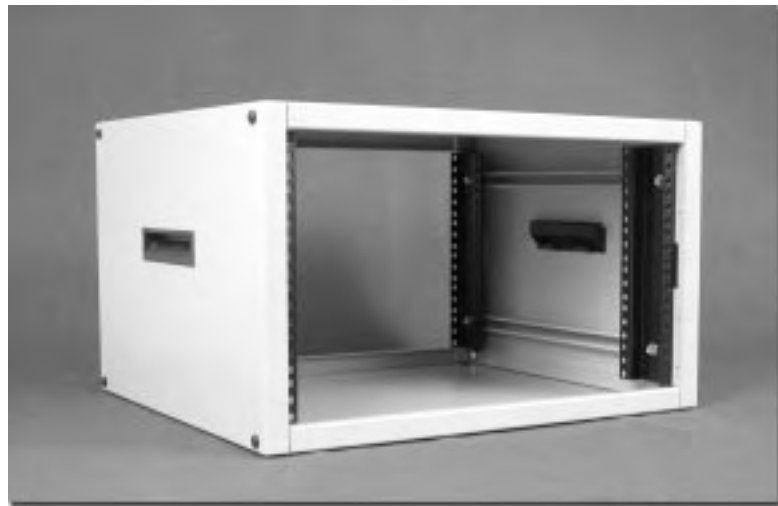
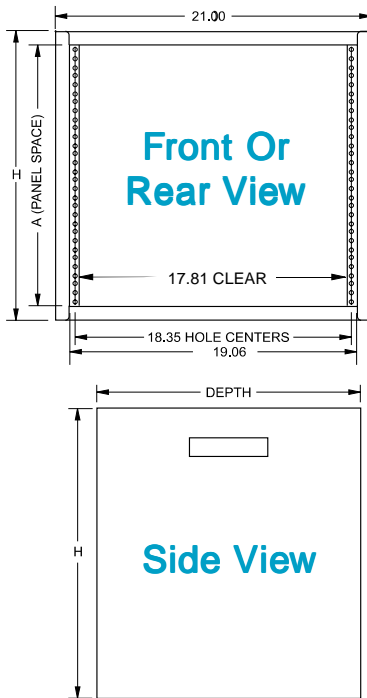
Part Number			Panel Height		Overall Dimensions			# of Clip Nuts
Black Textured	Beige Textured	ASA61 Grey Smooth	Inches	Units	Height	Width	Depth	
RCBS1900517BK1	RCBS1900517CG1	RCBS1900517GY2	5.25	3	7.25	21.00	17.5	8
RCBS1900717BK1	RCBS1900717CG1	RCBS1900717GY2	7.00	4	9.00	21.00	17.5	8
RCBS1900817BK1	RCBS1900817CG1	RCBS1900817GY2	8.75	5	10.75	21.00	17.5	16
RCBS1901017BK1	RCBS1901017CG1	RCBS1901017GY2	10.50	6	12.50	21.00	17.5	16
RCBS1901217BK1	RCBS1901217CG1	RCBS1901217GY2	12.25	7	14.25	21.00	17.5	16
RCBS1901417BK1	RCBS1901417CG1	RCBS1901417GY2	14.00	8	16.00	21.00	17.5	16

ACCESSORIES

- Rack panels [Page 82](#)
- Ventilated rack panels [Page 84](#)
- Panel mount doors & chassis [Page 86](#)
- Shelves & slides [Page 87](#)
- Drawers [Page 93](#)
- Cable management [Page 94](#)
- Cooling [Page 97](#)
- Rack mount outlet strips [Page 102](#)
- Hardware [Page 119](#)

Heavy Duty (RCHS Series)

Table Top



NEW & IMPROVED DESIGN!

FEATURES

- Heavy duty, 16-gauge steel, 19" table top rack cabinet, finished in a tough textured powder paint
- Recommended maximum weight (RCHS1902824 tested) - 800 pounds
- Panel rails (2 pair included) are infinitely adjustable (front to back), round hole punched for 10-32 clip-nuts to full EIA hole centers (5/8-5/8-1/2 inch spacing)
- Supplied unassembled (four cabinet pieces & four rails), shipped in a flat pack container for shipping ease and protection
- Also includes rubber feet, two ABS plastic lifting handles and starter pack of 10-32 clip nuts (see table below)

17.5" Deep

Part Number			Panel Height		Overall Dimensions			# of Clip Nuts
Black Textured	Beige Textured	Blue Textured	Inches	Units	Height	Width	Depth	
RCHS1900817BK1	RCHS1900817CG1	RCHS1900817GF1	8.75	5	10.75	21.00	17.5	8
RCHS1901017BK1	RCHS1901017CG1	RCHS1901017GF1	10.50	6	12.50	21.00	17.5	16
RCHS1901417BK1	RCHS1901417CG1	RCHS1901417GF1	14.00	8	16.00	21.00	17.5	16
RCHS1901717BK1	RCHS1901717CG1	RCHS1901717GF1	17.50	10	19.50	21.00	17.5	16
RCHS1902217BK1	RCHS1902217CG1	RCHS1902217GF1	22.75	13	24.75	21.00	17.5	16
RCHS1902817BK1	RCHS1902817CG1	RCHS1902817GF1	28.00	16	30.00	21.00	17.5	16

24.5" Deep

Part Number			Panel Height		Overall Dimensions			# of Clip Nuts
Black Textured	Beige Textured	Blue Textured	Inches	Units	Height	Width	Depth	
RCHS1901024BK1	RCHS1901024CG1	RCHS1901024GF1	10.50	6	12.50	21.00	24.5	16
RCHS1901424BK1	RCHS1901424CG1	RCHS1901424GF1	14.00	8	16.00	21.00	24.5	16
RCHS1901724BK1	RCHS1901724CG1	RCHS1901724GF1	17.50	10	19.50	21.00	24.5	16
RCHS1902224BK1	RCHS1902224CG1	RCHS1902224GF1	22.75	13	24.75	21.00	24.5	16
RCHS1902824BK1	RCHS1902824CG1	RCHS1902824GF1	28.00	16	30.00	21.00	24.5	16

ACCESSORIES

- Rack panels [Page 82](#)
- Ventilated rack panels [Page 84](#)
- Panel mount doors & chassis [Page 86](#)
- Shelves & slides [Page 87](#)
- Drawers [Page 93](#)
- Cable management [Page 94](#)
- Cooling [Page 97](#)
- Rack mount outlet strips [Page 102](#)
- Hardware [Page 119](#)
- See our web site for NEW added accessories

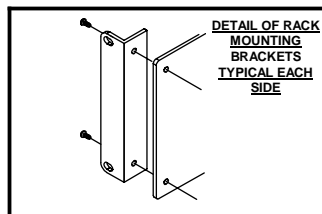
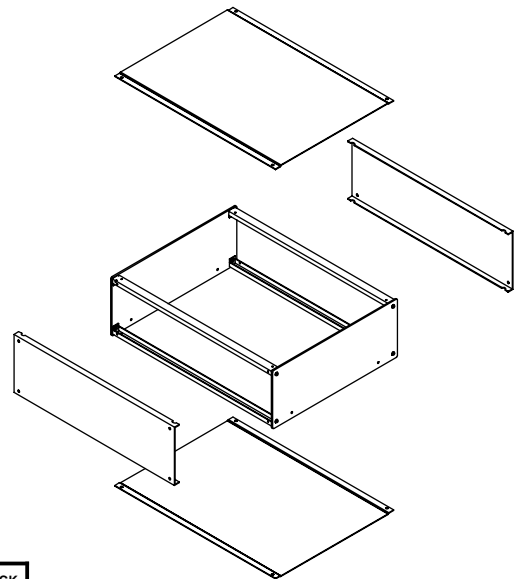
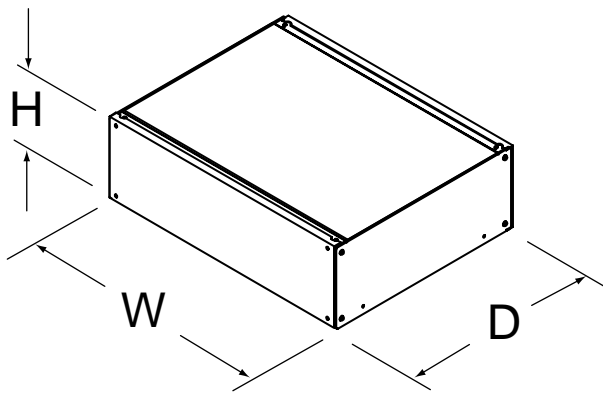
Rack Mount (RMCS & RMCV Series)

Table Top



FEATURES

- Perfect for rack mount or table top applications or both!
- Shipped knocked down to avoid shipping damage
- Easy assembly
- Strong construction using .062" (1.58 mm) top and bottom panels
- Light weight design by using aluminum panels
- .125" (3.18 mm) side panels and horizontal support bars
- Can be used with or without rack mounting brackets (included)
- Front and rear panels are interchangeable (one is off white, the other is smooth black)
- Enclosure is finished in textured black powder paint
- Includes top, bottom, sides, feet, rackmount brackets and all hardware
- Easy access to inside, as only 4 screws need to be removed from any panel
- Chassis panel is optional
- Available in both 19" rack mount and half width
- Available in both vented and unvented versions



Rack Mount (RMCS & RMCV Series)

Table Top

19" RACK MOUNT (SOLID TOP & BOTTOM)

Part Number	Panel Height		Width (In.)	Depth (In.)	Accepts Pull Handle
	Inches	Units			
RMCS19018BK1	1.75	1	17	8	No
RMCS190113BK1	1.75	1	17	13	No
RMCS19038BK1	3.50	2	17	8	1427P
RMCS190313BK1	3.50	2	17	13	1427P
RMCS190513BK1	5.25	3	17	13	1427N
RMCS190713BK1	7.00	4	17	13	1427M
RMCS190813BK1	8.75	5	17	13	1427M
RMCS191013BK1	10.50	6	17	13	1427L
RMCS191015BK1	10.50	6	17	15	1427L

19" RACK MOUNT (VENTILATED TOP & BOTTOM)

Part Number	Panel Height		Width (In.)	Depth (In.)	Accepts Pull Handle
	Inches	Units			
RMCV19018BK1	1.75	1	17	8	No
RMCV190113BK1	1.75	1	17	13	No
RMCV19038BK1	3.50	2	17	8	1427P
RMCV190313BK1	3.50	2	17	13	1427P
RMCV190513BK1	5.25	3	17	13	1427N
RMCV190713BK1	7.00	4	17	13	1427M
RMCV190813BK1	8.75	5	17	13	1427M
RMCV191013BK1	10.50	6	17	13	1427L
RMCV191015BK1	10.50	6	17	15	1427L

HALF WIDTH - RACK MOUNT (SOLID TOP & BOTTOM)

Part Number	Panel Height		Width (In.)	Depth (In.)	Accepts Pull Handle
	Inches	Units			
RMCS9018BK1	1.75	1	8.5	8	No
RMCS9038BK1	3.50	2	8.5	8	1427P
RMCS9058BK1	5.25	3	8.5	8	1427P

HALF WIDTH - RACK MOUNT (VENTILATED TOP & BOTTOM)

Part Number	Panel Height		Width (In.)	Depth (In.)	Accepts Pull Handle
	Inches	Units			
RMCV9018BK1	1.75	1	8.5	8	No
RMCV9038BK1	3.50	2	8.5	8	1427P
RMCV9058BK1	5.25	3	8.5	8	1427P

CHASSIS PANELS

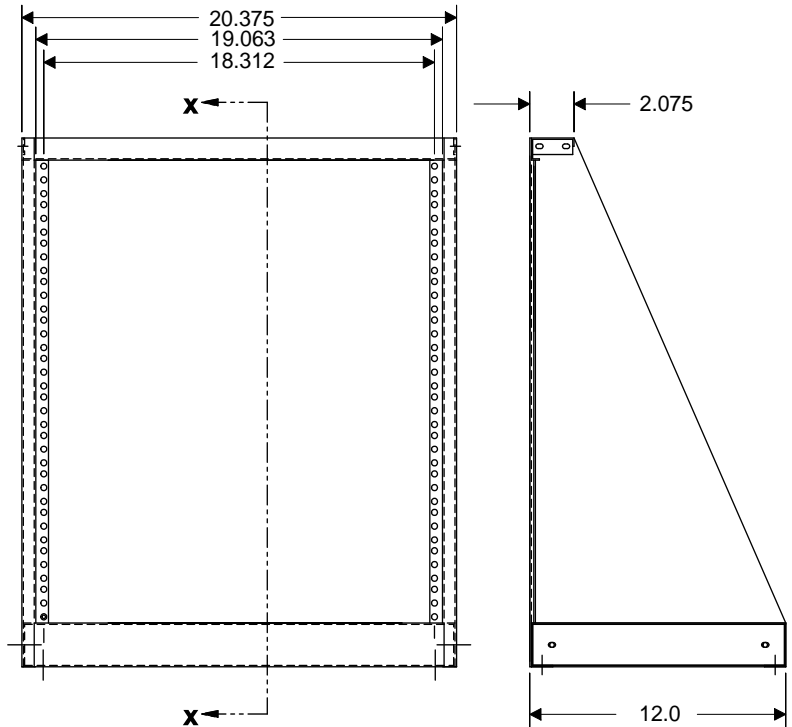
- Holes provided for bottom mounting (as shown below)
- Panel is aluminum with an alodine finish



Part Number	Use with enclosure	
	Width (In.)	Depth (In.)
RMP908	8.5	8
RMP1908	17	8
RMP1913	17	13
RMP1915	17	15

Open Rack (RRTT Series)

Table Top



Front View

Side View

FEATURES

- Standard 19" rack panel width mounting
- Rack mounting, on E.I.A. universal spacing (5/8 - 5/8 - 1/2 inch)
- Round hole punched for 10-32 clip nuts (included)
- Choice of two heights, 21" (12U) or 28" (16U)
- Heavy duty construction, 14 gauge steel
- Recommended maximum weight (RRTT1928 tested) - 350 pounds
- Supplied unassembled (four pieces), shipped in a flat pack container for handling ease & protection
- Includes all hardware and four rubber feet
- Rugged powder paint, textured black finish

Part Number	Panel Height		Overall Dimensions (Inches)		
	Inches	Units	Height	Width	Base Depth
RRTT1921BK1	21	12	24	20.38	12
RRTT1928BK1	28	16	31	20.38	12

ACCESSORIES

- Rack panels [Page 82](#)
- Ventilated rack panels [Page 84](#)
- Panel mount doors & chassis [Page 86](#)
- Shelves & slides [Page 87](#)
- Drawers [Page 93](#)
- Cable management [Page 94](#)
- Rack mount outlet strips [Page 102](#)
- Hardware [Page 119](#)