



# FC5A-SIF4 MicroSmart Pentra RS485 Communication Module

## Features

- Supports Modbus RTU/ASCII Master and Slave protocol
- Supports IDEC Datalink protocol
- Supports Maintenance and User protocols
- Supports up to 115Kbps baud rate for fast transmission speed
- Configure up to 5 modules (FC5A-SIF4) on one Slim CPU
- Configure up to 3 modules (FC5A-SIF4) on one All-in-One CPU

## Specifications

### General Specifications

<b>Quantity of Channels</b>	1	
<b>Synchronization</b>	Start-stop synchronism	
<b>Electrical Characteristics</b>	EIA RS485 compliant	
<b>Baud Rate</b>	115,200bps maximum	
<b>Operating Temperature</b>	0 to 55°C (no freezing)	
<b>Operating Humidity</b>	10 to 95% RH (no condensation)	
<b>Cable</b>	<b>Cable Type</b>	Shielded twisted-pair cable with a minimum core wire of 0.3mm <sup>2</sup> (AWG22)
	<b>Conductor Resistance</b>	65.7Ω/km maximum (20°C)
<b>Isolation from Internal Circuit</b>	Transformer isolated	
<b>Maximum FC5A-SIF4 Modules Connected*</b>	5 (using FC5A slim CPU module)	
	3 (using FC5A all-in-one 24-I/O CPU module)**	
<b>Internal Current Draw</b>	40mA (5V DC), 40mA (24V DC)	
<b>Weight (approx.)</b>	100g	

\*FC5A-SIF4 cannot be connected to FC4A CPU modules.

\*\*FC5A all-in-one 24-I/O CPU module cannot use the FC5A-SIF4 module in combination with the function modules listed in the table below. When using these modules in combination with the FC5A-SIF4 module, use the slim type CPU module.

Module	Models
<b>Analog I/O Module</b>	FC4A-L03A1, FC4A-L03AP1, FC4A-2JA1, FC4A-K1A1, FC4A-J4CN1, FC4A-J8C1, FC4A-J8AT1, FC4A-K2C1
<b>AS-Interface Master Module</b>	FC4A-AS62M

### Expandability

	Expansion RS485 Communication Module FC5A-SIF4	RS485 Communication Module Communication Adapter	Max RS485 Ports in Total
<b>Expandability</b>			
<b>FC5A Slim CPU Module</b>	5 modules	1 communication module FC4A-HPC2 FC4A-HPC3	6 ports
<b>FC5A All-in-one CPU Module</b>	3 modules	1 communication adapter FC4A-PC2 FC4A-PC3	4 ports
<b>Communication Distance per Line</b>	1,200m	200m	—
<b>Baud Rate</b>	115,200bps	57,600bps	—



\*UL is pending



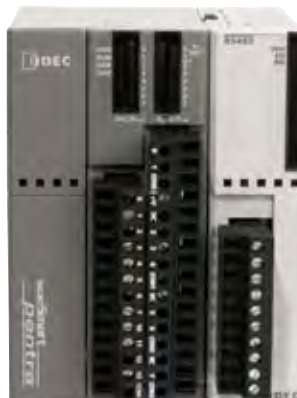
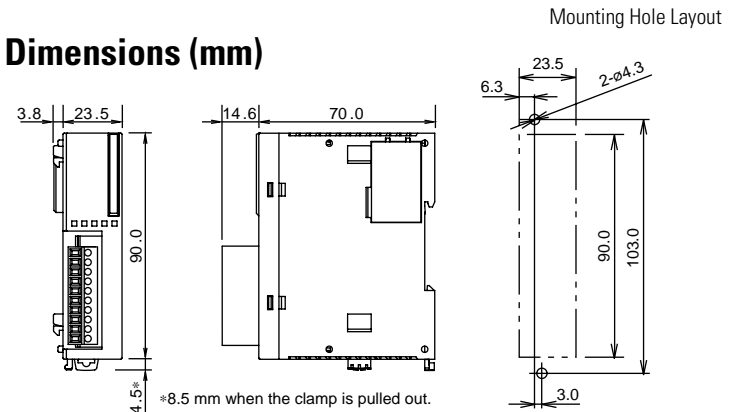
New  
**RS485  
Module**

FC5A-SIF4

### Communication Specifications

<b>Baud Rate</b>	1200, 2400, 4800, 9600, 19200, 38400, 57600, 115200bps
<b>Maintenance Communication</b>	Available
<b>User Communication</b>	Available
<b>Data Link</b>	Available
<b>Modbus Communication</b>	Modbus ASCII master, Modbus ASCII slave, Modbus RTU master, Modbus RTU slave
<b>Maximum Cable Length</b>	1200m
<b>Quantity of Slaves</b>	31

### Dimensions (mm)



### Operating Requirements

- FC5A CPU module with firmware version 220 or higher
- WindLDR ver. 6.20 or higher, available in Automation Organizer Software suite version 1.2
- If you have a previous version of WindLDR it can be upgraded (at no charge) to Automation Organizer by visiting [www.IDEC.com/upgrades](http://www.IDEC.com/upgrades)