

## 70mm Light Towers

### Easily build or modify the combination that works for you!

The LT7 light tower combines innovative LED technology with modular style assembly. This enables the towers to meet the extensive requirements seen in most status indicating applications. The simple design uses only 9 modular components to make a five color tower complete with alarm and flashing functions.

Using the latest and brightest LEDs, the LT7 product range provides brilliant illumination for all the lens colors. The unique prism cut design enhances the brightness and ensures outstanding levels of visibility from any direction and distance.

Key features of the LT7 series light towers include:

- 70mm diameter
- Ultra bright LEDs
- LED strobe modules
- Unique interlocking construction
- Fast and easy assembly
- Optional adjustable alarm
- Lead-free design, RoHS compliant
- IP65 environment protection, NEMA Type 4, 4X, 13
- Color-coded wiring terminals
- Only nine modular components with 5 lens colors & 4 base units
- UL/c-UL Listed, CE marked



### Part Numbers

#### Part Numbers: Base Units

Voltage	Steady	Flashing/Buzzer
24V DC	LT7B-D24	LT7B-D24FB
	LT7B-D24SB*	
90-250V AC	LT7B-A250	LT7B-A250FB

1. Base unit comes with top cap.  
2. \*Short body, black base type.

#### Part Numbers: Lens/LED Units

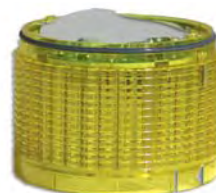
Color	Part Number
Red	LT7A-R
Amber Yellow	LT7A-Y
Green	LT7A-G
Blue	LT7A-S
White	LT7A-C
Lemon Yellow	LT7A-LY*

- \*Maximum 5 LED color variations per base. Lemon yellow LED module and amber yellow LED module share same signal and both will light if stacked together.

#### Part Numbers: LED-Strobe Units

Color	Part Number
Red	LT7A-XE-R
Amber Yellow	LT7A-XE-Y
Green	LT7A-XE-G
Blue	LT7A-XE-S
White	LT7A-XE-C

- (for 24V DC base only)



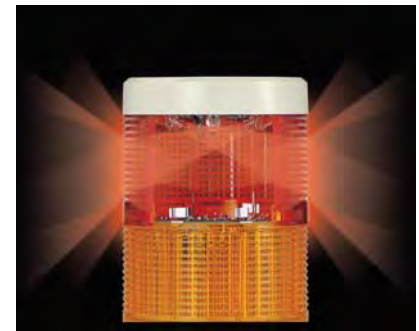
Lemon Yellow LED module



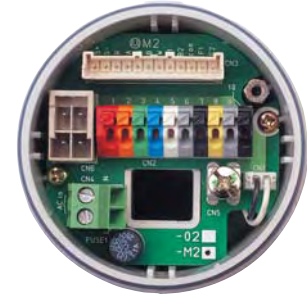
Short body type

LT7 Specifications

Base Units		LT7B-D24 LT7B-D24SB		LT7B-D24FB		LT7B-A250		LT7B-A250FB	
Specifications	Operation/Function	Steady		Flashing/Steady		Steady		Flashing/Steady	
	Rated Voltage	24V DC				90~250V AC (50/60Hz)			
	Operating Voltage	24V ±10% (21.6~26.4V)				90~250V AC (50/60Hz)			
	Alarm	–	Alarm 1*	Alarm 2**	–	Alarm 1*	Alarm 2**	–	–
	Current Consumption	–	50±10mA	24±10mA	–	50±10mA	24±10mA	–	–
	Power Consumption	–	1.2±0.25W	0.58±0.25W	–	1.8±0.25W	1.3±0.25W	–	–
	Alarm Sound Level	Max	–	90dB±5 (at 1m)	–	90dB±5 (at 1m)	–	–	–
		Min	–	70dB or less (at 1m)	–	70dB or less (at 1m)	–	–	–
	Flashing Cycle	–	60±12 flashes per minute		–	60±12 flashes per minute		–	–
	Operating Temperature Range	-30°C~+60°C				-25°C~+55°C			
	Mounting	Upright, indoor only				Upright, indoor only			
	Protection	IP65, NEMA Type 4, 4X, 13				IP65, NEMA Type 4, 4X, 13			
Weight	250g	280g		310g	340g		–	–	
Open Collector	PNP/NPN				NPN				



Ultra-bright LEDs



Color Coded Wiring Terminals

Switches & Pilot Lights

Display Lights

Relays & Sockets

Timers

Terminal Blocks

Circuit Breakers

\*Alarm 1: continuous sound  
\*Alarm 2: intermittent sound

Lens/LED and LED-Strobe Units*		LT7A-R	LT7A-Y	LT7A-G	LT7A-S	LT7A-C	LT7A-LY	LT7A-XE-R	LT7A-XE-Y	LT7A-XE-G	LT7A-XE-S	LT7A-XE-C		
Specifications	LED Unit Type	Steady/Flashing						Strobe						
	LED Unit Color	Red	Amber Yellow	Green	Blue	White	Lemon Yellow	Red	Amber Yellow	Green	Blue	White		
	Current/Power	52mA/1.25W		42mA/1.0W				280mA/6.96W		130mA/3.36W		260mA/6.48W		270mA/6.72W
	Operating Temperature Range	-30°C~+60°C						-10°C~+60°C						
	Weight	60g						70g						

- \*Operate with all voltage base units listed on previous page.
1. Strobe units pulse 77 times per minute
  2. Strobe units suitable only for BASE unit [LT7B-D24(FB)]. Units do NOT work with BASE unit [LT7B-A250(FB)].
  3. Strobe units should be operated in 'Continuous light' mode. If it is operated in flashing mode, it will NOT operate correctly.

4. Do not substitute parts of units from other products.
5. This product can be used only indoors. Do not use outdoors.
6. Do not use without LED unit or top cover installed.

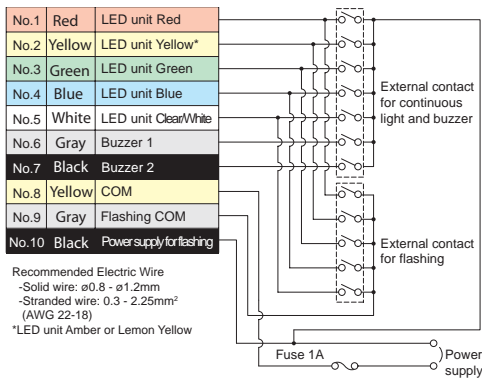
Accessories & Replacement Parts

LT9Z-7T	LT9Z-7L	LT9Z-SZ007	LT9Z-SZ020*	LT9Z-SZ018	LT9Z-SZ50NPT	LT9Z-HCLT7	LT9Z-M4NUTSLT7	LT9Z-ORINGLT7
mounting pole with base mount	mounting pole with L-angle bracket	90 degree angle mounting bracket	wall mounting bracket (pole required)	wall mounting bracket (direct mount)	1/2" NPT aluminum mounting adapter	replacement top cap (1 piece)	Replacement M4 mounting nuts (1 piece)	Replacement O-ring gasket (1 piece)

\*Must use LT9Z-7L pole mount with LT9Z-SZ020 wall mount bracket.

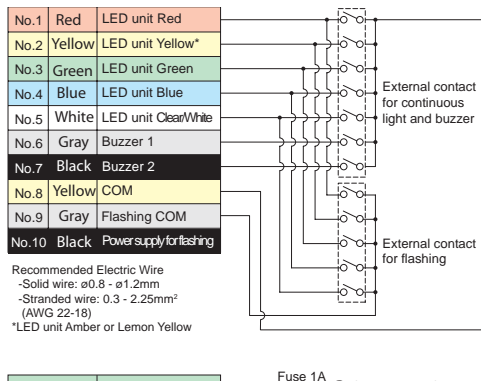
## Wiring Examples

### LT7B-D24FB

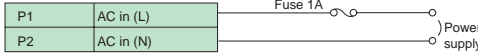


Recommended Electric Wire  
 -Solid wire:  $\phi 0.8 - \phi 1.2\text{mm}$   
 -Stranded wire:  $0.3 - 2.25\text{mm}^2$   
 (AWG 22-18)  
 \*LED unit Amber or Lemon Yellow

### LT7B-A250FB

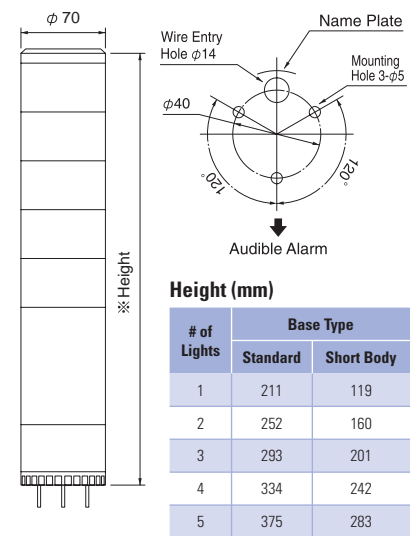


Recommended Electric Wire  
 -Solid wire:  $\phi 0.8 - \phi 1.2\text{mm}$   
 -Stranded wire:  $0.3 - 2.25\text{mm}^2$   
 (AWG 22-18)  
 \*LED unit Amber or Lemon Yellow



## LT7 Dimensions

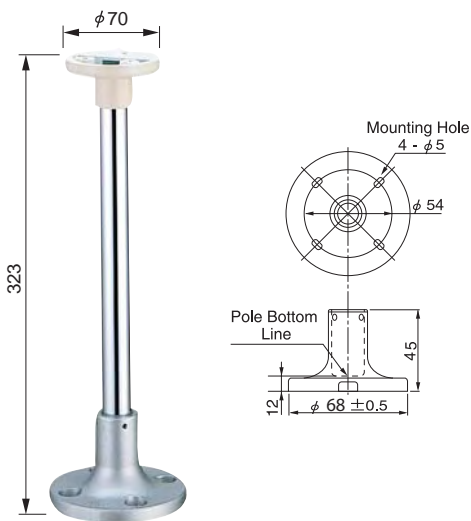
### LT7 Base Unit



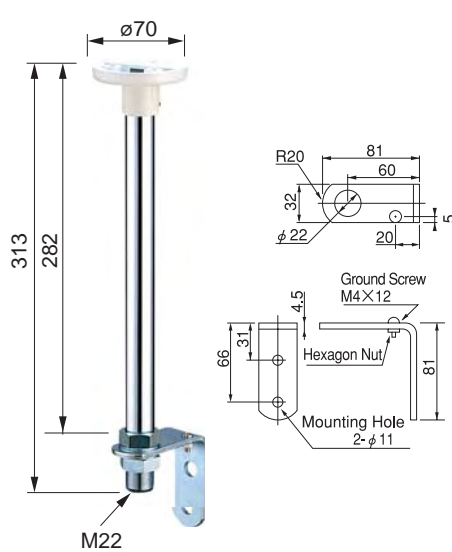
## LT7 Dimensions con't

### LT7 Mounting Brackets

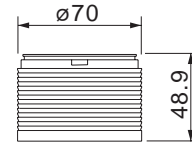
#### LT9Z-7T



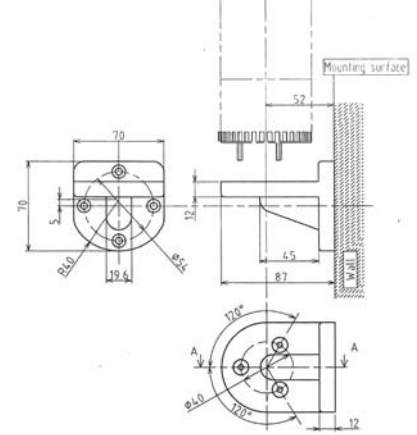
#### LT9Z-7L



### LT7 LED Unit

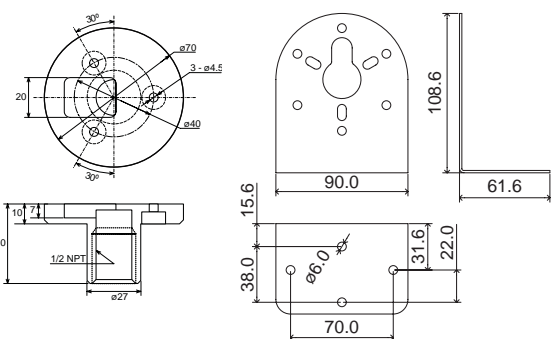


#### LT9Z-SZ018



#### LT9Z-SZ50NPT

#### LT9Z-SZ007



#### LT9Z-SZ020

